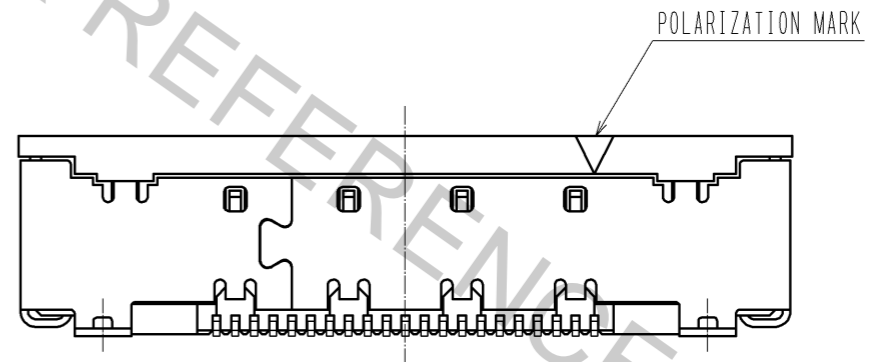
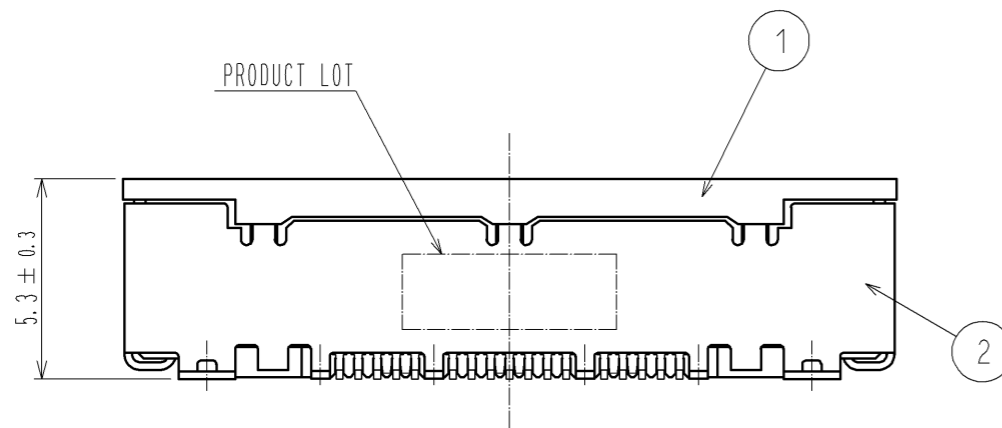
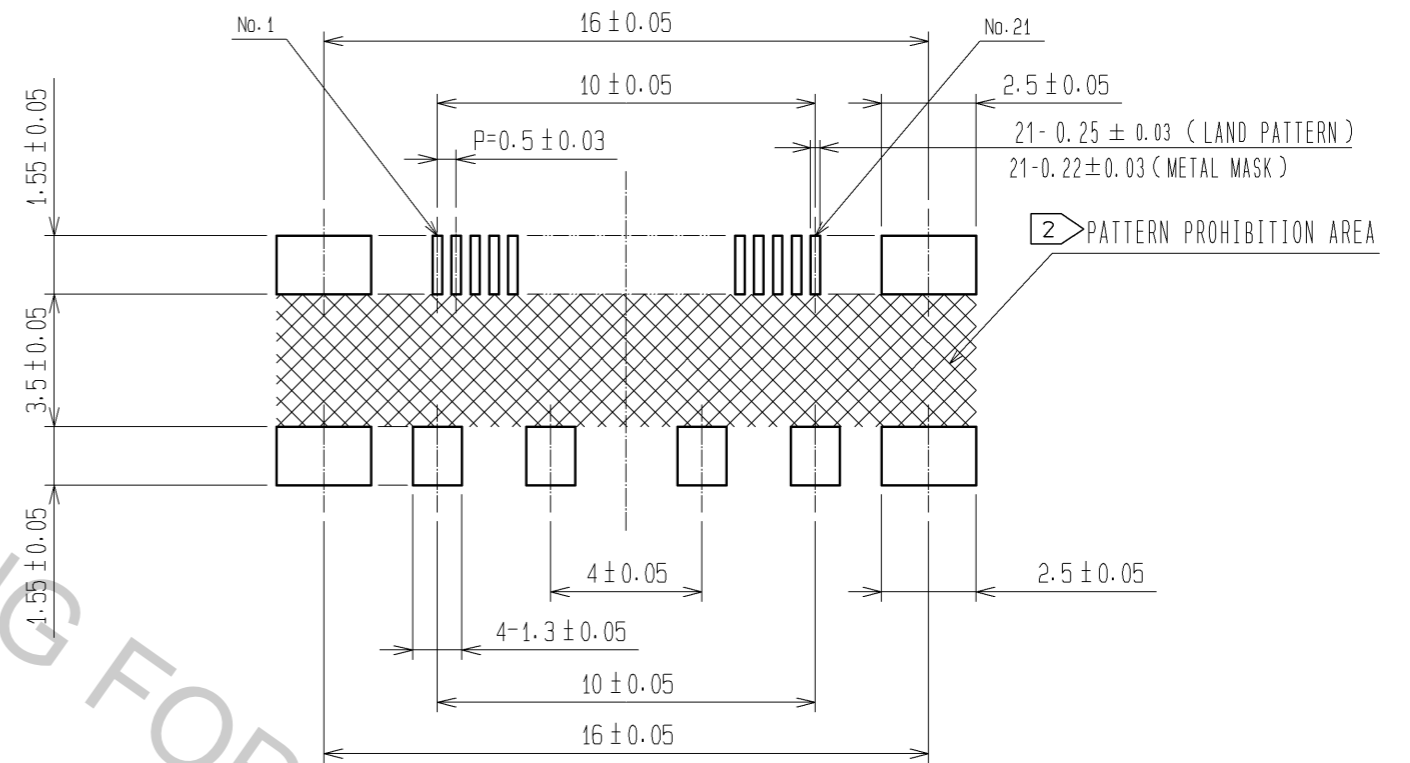


RECOMMENDED LAND PATTERN DIMENSION

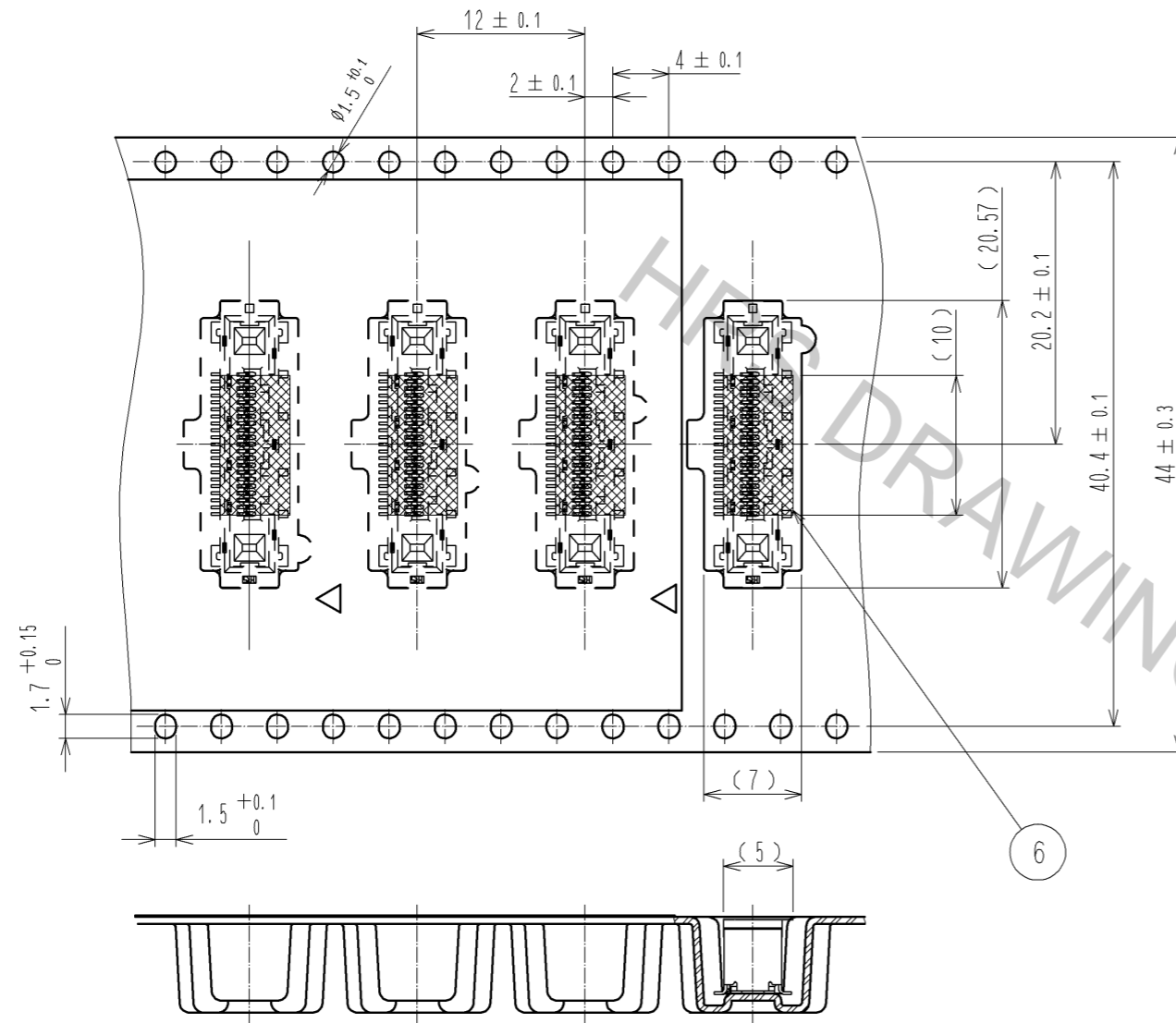
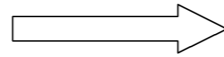


- NOTE 1 LEAD CO-PLANARITY OF THIS PRODUCT TO BE 0.1MAX.
 2 AREA OF INNER SMT LAND REQUIRES PATTERN PROHIBITION OR RESIST TREATMENT TO PREVENT THE PATTERN TOUCHING TO THE CONTACTS.
 3 () INDICATES A REFERENCE DIMENSION.
 4 MANUFACTURING PROCESS COULD LEAVE SCRATCH AND/OR PUNCH MARKS HAVING NO AFFECT ON THE PRODUCT PERFORMANCE.
 5 PACKAGING FOR THIS PRODUCT APPLIES EMBOSSED CARRIER TAPE PACKAGING. SEE SHEET 2/2 FOR DETAILS.

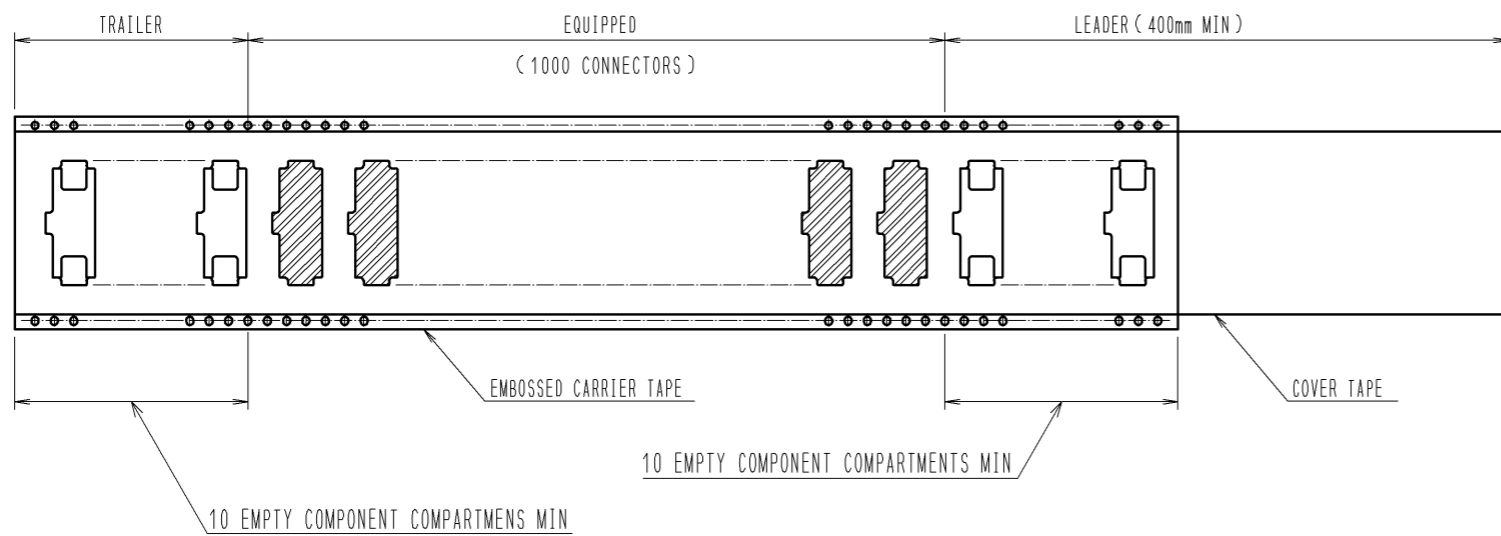
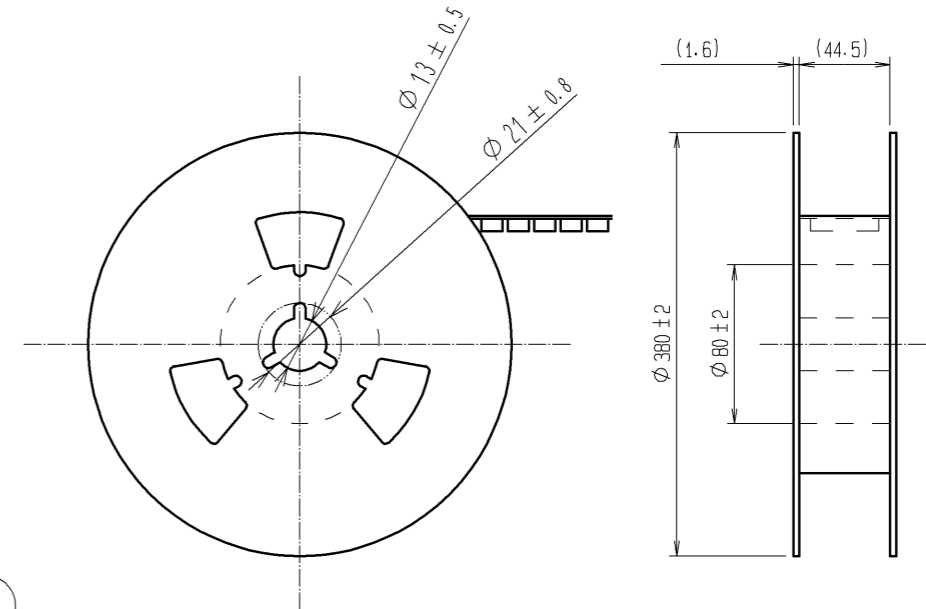
| | | | | | |
|---------------------------|-----------------|---|----------------------------|--------------------------|--|
| 3 | PHOSPHOR BRONZE | CONTACT AREA : GOLD 0.1 μm min LEAD AREA : GOLD 0.03 μm min UNDER PLATING : NICKEL 1 μm min | 6 | PI | (TAPE FOR VACUUM PICK UP) |
| 1 | LCP | BLACK, UL94V-0 | 5 | PE | (COVER TAPE) |
| | | | 4 | PS | (EMBOSSED CARRIER TAPE) |
| | | | 2 | PHOSPHOR BRONZE | OVER PLATING : TIN PLATING 1 μm min UNDER PLATING : NICKEL 0.2 μm min |
| NO. | MATERIAL | FINISH, REMARKS | NO. | MATERIAL | FINISH, REMARKS |
| UNITS mm | | SCALE 5 : 1 | COUNT | DESCRIPTION OF REVISIONS | |
| | | APPROVED : HS. OKAWA 08.06.03 | DRAWING NO. EDC3-157329-00 | | |
| HIROSE ELECTRIC CO., LTD. | | CHECKED : HT. YAMAGUCHI 08.06.03 | PART NO. FX16-21S-0.5SV | | |
| | | DESIGNED : SS. YOSHIDA 08.03.22 | CODE NO. CL575-3401-1-00 | | |
| | | DRAWN : SS. YOSHIDA 08.03.22 | DATE | | |

DRAWING FOR PACKING (2:1)

THE DIRECITON OF PULLING OUT



REELED DIMENSION (FREE)



| | | | |
|------------|-------------|-----------------|-----------------|
| HRS | DRAWING NO. | EDC3-157329-00 | \triangle 2/2 |
| | PART NO. | FX16-21S-0.5SV | |
| | CODE NO. | CL575-3401-1-00 | |
| | | | |