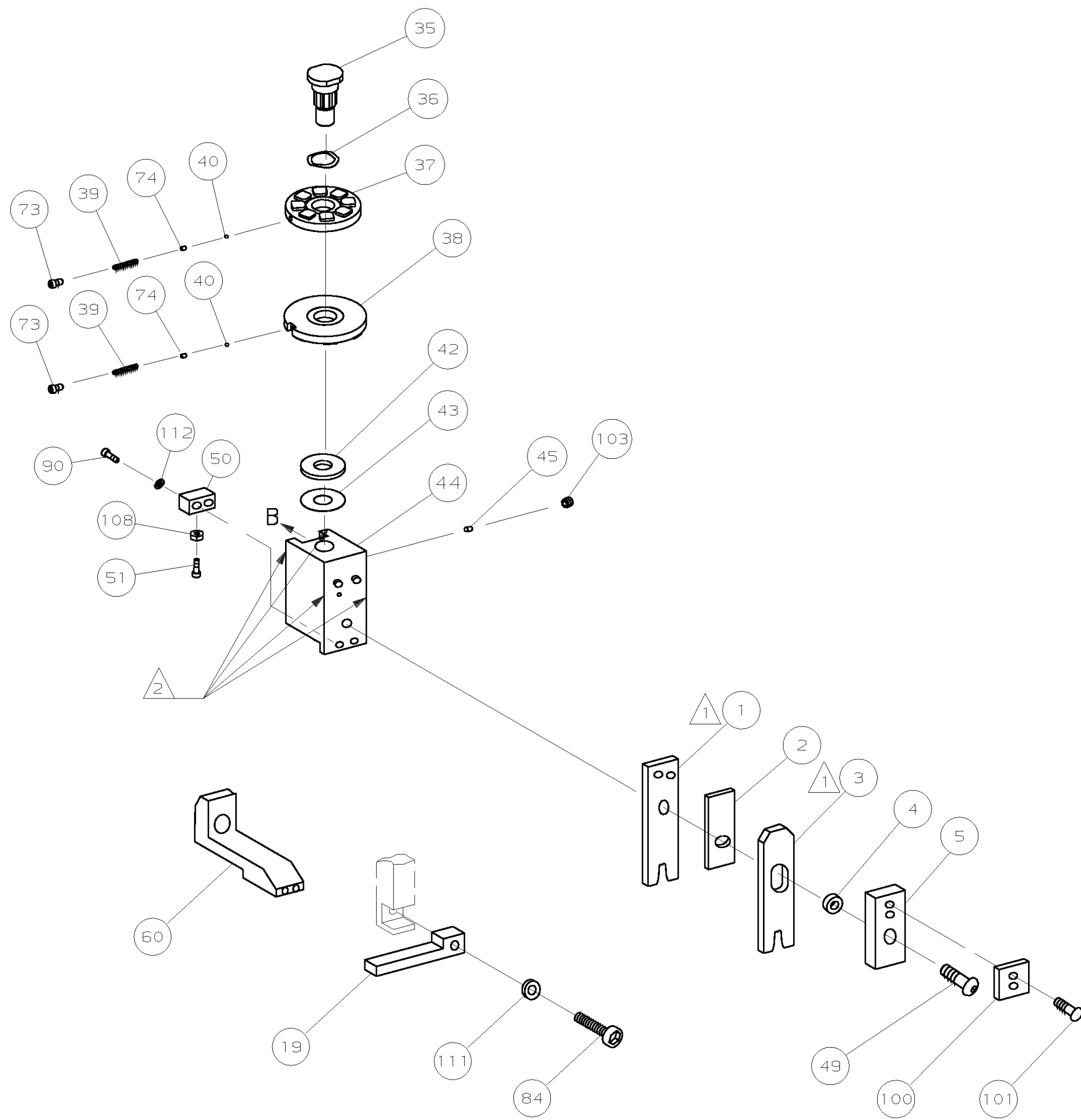
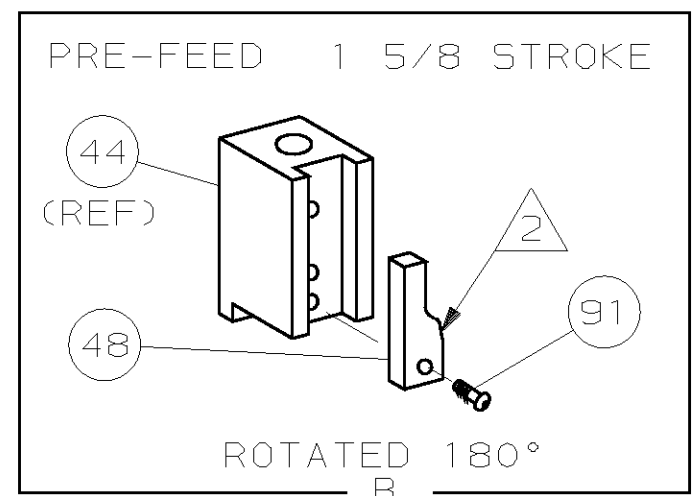
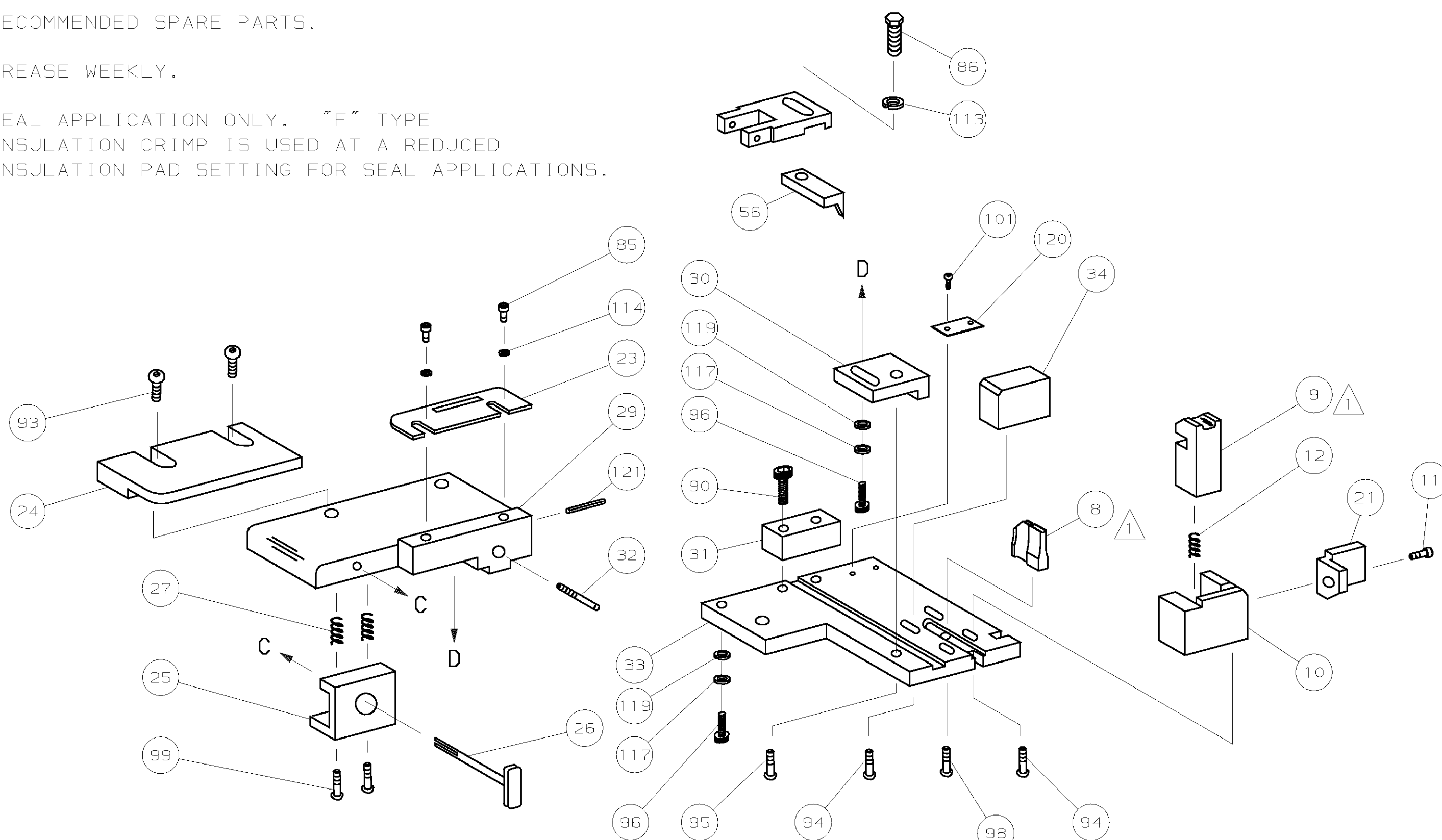


THIS DRAWING IS A CONTROLLED DOCUMENT.



NOTES:

- 1 RECOMMENDED SPARE PARTS.
- 2 GREASE WEEKLY.
- 3 SEAL APPLICATION ONLY. "F" TYPE INSULATION CRIMP IS USED AT A REDUCED INSULATION PAD SETTING FOR SEAL APPLICATIONS.



1	4-21028-0	PIN, SLT SPR (.093x.75) ST GUIDE PL	121	REF	694433-8	PAWL, FEED	56
1	690701-2	PLATE SERIAL NUMBER	120				55
2	21899-2	WASHER, FLAT (NO. 10) S.G. ADJ. BLOCK	119				54
1	21024-5	WASHER, LOCK (NO. 10) ADJ BLOCK	118				53
			117				52
			116	1	811242-2	BUMPER, HOLDDOWN	51
			115	1	690753-1	SPACER, TONKER	50
2	21024-2	WASHER, LOCK (NO. 4) FRONT STRIP GUIDE	114	1	7-21002-9	BOLT, CRIMPER (5/16-24x1.00)	49
REF	21024-4	WASHER, LOCK (NO. 8) FEED FINGER	113	1	690602-6	CAM, PRE FEED 1.62 STROKE	48
2	21024-4	WASHER, LOCK (NO. 8) DEP-HOLD	112				47
REF	21024-4	WASHER, LOCK (NO. 8) STRIPPER	111				46
			110	1	690191-1	PLUG, NYLON	45
			109	1	455673-1	RAM	44
1	21018-5	NUT, HEX (NO. 6) HOLDDOWN	108	1	690125-1	WASHER, LAMINATED	43
			107	1	690124-1	WASHER, RAM	42
			106				41
			105	2	23241-6	BALL, STEEL	40
			104	2	690170-1	SPRING, COMPRESSION	39
1	21009-2	SCR, SKT SET (1/4-20x.25 LOC-WEL) RAM	103	1	690142-1	DISC, INSULATION	38
			102	1	5-690692-2	DISC, WIRE	37
4	21017-2	SCR, DRIVE (#2x.19) ID PLATE	101	1	22480-5	WASHER, SPRING	36
1	819347-1	PLATE, ID	100	1	690212-1	POST, RAM	35
2	2-21002-9	SCR, BHC (10-32x.75) DRAG	99	1	692776-2	SUPPORT, TERMINAL	34
1	22733-8	SCR, BHC (8-32x.38 LOC-WEL) ANVIL	98	1	462544-1	PLATE, BASE SPECIAL	33
			97	1	690432-3	SCREW, ADJUSTMENT	32
1	3-21000-8	SCR, SKT CAP (10-32x.88) MOUNTING	96	1	462543-1	BLOCK, SCREW SPECIAL	31
1	2-22733-1	SCR, BHC (10-32x.50) SG ADJ BLOCK	95	1	455689-1	BLOCK, STRIP GUIDE ADJ	30
4	22733-9	SCR, BHC (8-32x.50) SHEAR-TERM SUP	94	1	455671-1	PLATE, STRIP GUIDE	29
2	2-21002-2	SCR, BHC (8-32x.50) R STRIP GUIDE	93				28
			92	2	1-22284-0	SPRING, DRAG	27
1	1-21002-7	SCR, BHC (6-32x.50) CAM	91	1	690546-1	LEVER, DRAG RELEASE	26
4	2-21000-7	SCR, SKT CAP (8-32x.50) SCR BLOCK	90	1	240792-1	DRAG, STOCK	25
			89	1	6-690504-3	GUIDE, STRIP (REAR)	24
			88	1	690438-1	GUIDE, STRIP (FRONT)	23
			87				22
1	2-22603-0	SCR, HEX HEAD (8-32x.31) FEED FINGER	86	1	463756-1	GUIDE, SCRAP	21
2	1-21000-3	SCR, SKT CAP (4-40x.25) F STRIP GUIDE	85				20
REF	2-21002-1	SCR, BHC (8-32x.38) STRIPPER	84	REF	462615-1	STRIPPER	19
			83				18
			82				17
1	3-21000-4	SCR, SKT CAP (10-32x.38) SG ADJ BL	81				16
			80				15
			79				14
			78				13
2	463310-7	BLADE, STRIPPING (#24)	77	1	5-22280-0	SPRING, SHEAR	12
			76	1	690461-2	STOP, SHEAR (FRONT)	11
			75	1	462548-1	HOLDER, SHEAR (FRONT) SPECIAL	10
2	690603-1	SPRING, ASSIST	74	1	462547-1	SHEAR, FLOAT (FRONT) SPECIAL	9
2	23030-1	SCR, SKT CAP (6-32x.25) CP DISC	73	1	2-854014-5	ANVIL	8
			72				7
			71				6
			70	1	462838-1	DEPRESSOR, SHEAR (FRONT) SPECIAL	5
			69	1	2-238011-2	SPACER, TUBULAR	4
			68	1	5-456134-4	CRIMPER, INSULATION	3
			67	1	455888-1	SPACER, CRIMPER	2
			66	1	568176-7	CRIMPER, WIRE	1
			65				
			64				
			63				
			62				
			61				
			60				

QTY		PART NO			DESCRIPTION			ITEM NO	
VISIBLE		CRIMPING DATA			APPLICATOR WILL APPLY				
PAD	LTR	CRIMP HEIGHT	WIRE SIZE	WIRE STRIP LENGTH	PIN	SOCKET			
A		.027	24		170359	170361			
B		.025	26			770902			
C		.031	22						
D		NOT	USED						
CRIMP	SIZE	TYPE	FEED	APPL INST					
WIRE	.048	F	.433	AI -					
INSUL	.080	F							
WIRE RANGE	26-22	INSULATION RANGE	.047-.068	MACHINE NO	463345-1				
REMARKS									
SIMTO 567066-2									

REMARKS		NO		REV	
APPL USED ON MACHINE PART NO		MACH SERIAL NO		DISTRIBUTION	
CUSTOMER NAME		APPL SERIAL NO		ORIGINAL	
ADDRESS		PURCHASE ORDER		CUSTOMER COPY	
CITY		ENG APP		FIELD ENG COPY	

THIS DRAWING IS UNDER THE PROTECTION OF PATENT RIGHTS. INFORMATION IS CONTAINED HEREIN IS UNCLASSIFIED EXCEPT WHERE SHOWN OTHERWISE. THIS DRAWING IS UNCLASSIFIED EXCEPT WHERE SHOWN OTHERWISE. THE INFORMATION IS UNCLASSIFIED EXCEPT WHERE SHOWN OTHERWISE. ALL RIGHTS RESERVED.

AMP INCORPORATED Harrisburg, Pa.

C1 ECN 0150-1034-03 TE 9-03 DR 12/6/88 APP 8/17/93
 C 0150-7850-97 TB 7-97 P. MATHIAS A. BEOGICK
 B1 0150-5344-94 TB 4-94 CHK 8/17/93 REL 3/9/92
 B EC 0150-4739-93 CE 8/93 A. CHECKER B. McPHERSON
 A REVISED PM 2/92

NAME: AMPOMATIC STRIPPER CRIMPER APPLICATOR
 SIDE FEED (MINI UNIVERSAL MATE-N-LOK PIN & SOCKET)

466990-2

CUSTOMER AND ASSEMBLY DRAWING