

10 9 8 7 6 5 4 3 2 1

F

E

D

C

B

A

F

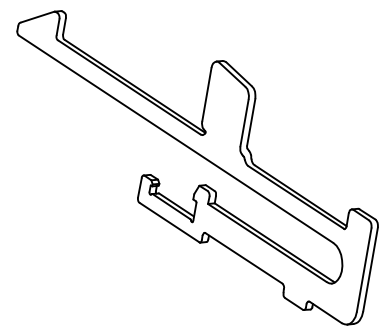
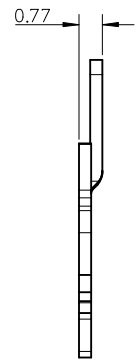
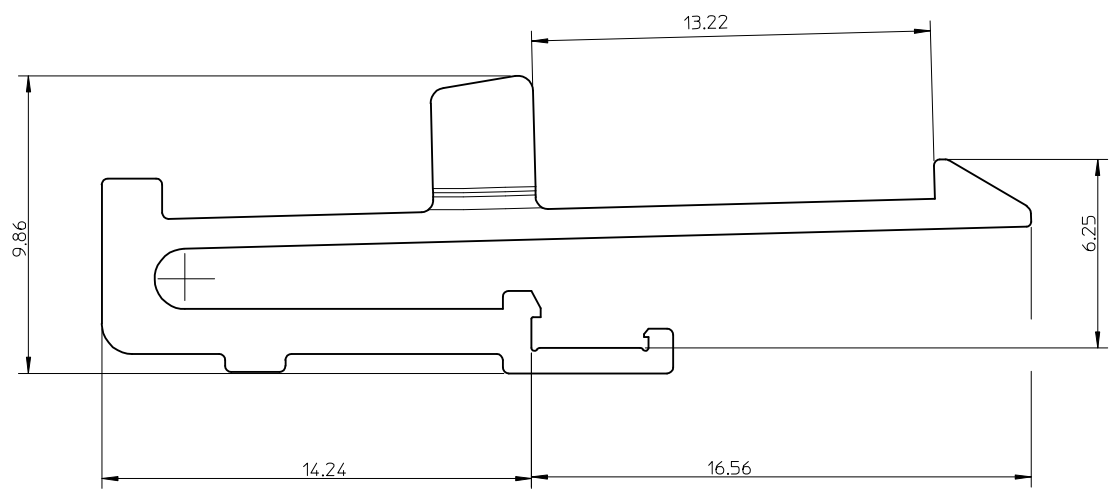
E

D

C

B

A



NOTES:

- 1.MATERIAL: STAINLESS STEEL, S301.
- 2.ULTRASONIC CLEANING

NEW RELEASE EC NO: SH2009-0333 DRW:HHH CH:KD APPR:HWANG	2008/12/03 2008/12/03 2008/12/18	QUALITY SYMBOLS ▽=0 ◻=0	GENERAL TOLERANCES (UNLESS SPECIFIED)		DIMENSION STYLE MM ONLY		SCALE 10:1	DESIGN UNITS METRIC	THIRD ANGLE PROJECTION	
			4 PLACES ± --- ± --- 3 PLACES ± --- ± --- 2 PLACES ± 0.15 ± --- 1 PLACE ± 0.20 ± ---	DRAWN BY QWFANG	DATE 2006/03/22	TITLE LATCH FOR DISPLAYPORT				
			ANGULAR ± 1 °	CHECKED BY RZHANG	DATE 2006/03/22					
			DRAFT WHERE APPLICABLE MUST REMAIN WITHIN DIMENSIONS	APPROVED BY IWANG	DATE 2006/03/22	MATERIAL NO. 47271-1016	DOCUMENT NO. SD-47271-006	MOLEX INCORPORATED		
			SIZE A3	THIS DRAWING CONTAINS INFORMATION THAT IS PROPRIETARY TO MOLEX INCORPORATED AND SHOULD NOT BE USED WITHOUT WRITTEN PERMISSION						

9 8 7 6 5 4 3 2 1

10 9 8 7 6 5 4 3 2 1

F

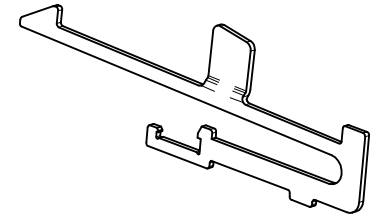
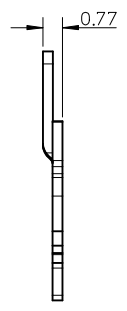
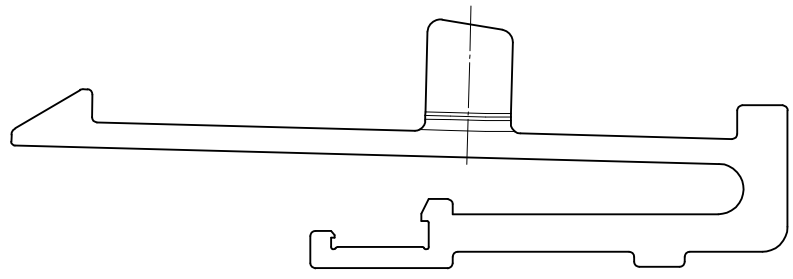
E

D

C

B

A



NOTES:
UNSPECIFIED DIMENSIONS ARE SAME AS SHEET 1.

SEE SHEET 1 EC NO: SH2009-0333 DRWN: HHE CHKD: APPR: HWANG 2008/12/03 2008/12/18	DESCRIPTION REV	QUALITY SYMBOLS ▽=0 ◻=0	GENERAL TOLERANCES (UNLESS SPECIFIED)		DIMENSION STYLE MM ONLY		SCALE 5:1	DESIGN UNITS METRIC	THIRD ANGLE PROJECTION			
				mm	INCH	DRAWN BY	DATE	TITLE				
			4 PLACES	± ---	± ---	QWFANG	2006/03/22	LATCH FOR DISPLAYPORT				
			3 PLACES	± ---	± ---	CHECKED BY	DATE	MOLEX INCORPORATED DOCUMENT NO. SD-47271-006 SHEET NO. 2 OF 2				
2 PLACES	± 0.15	± ---	RZHANG	2006/03/22								
1 PLACE	± 0.20	± ---	APPROVED BY	DATE	THIS DRAWING CONTAINS INFORMATION THAT IS PROPRIETARY TO MOLEX INCORPORATED AND SHOULD NOT BE USED WITHOUT WRITTEN PERMISSION							
ANGULAR ± 1 °			IWANG	2006/03/22								
DRAFT WHERE APPLICABLE MUST REMAIN WITHIN DIMENSIONS			MATERIAL NO.		SIZE							
			47271-2016		A3							

9 8 7 6 5 4 3 2 1