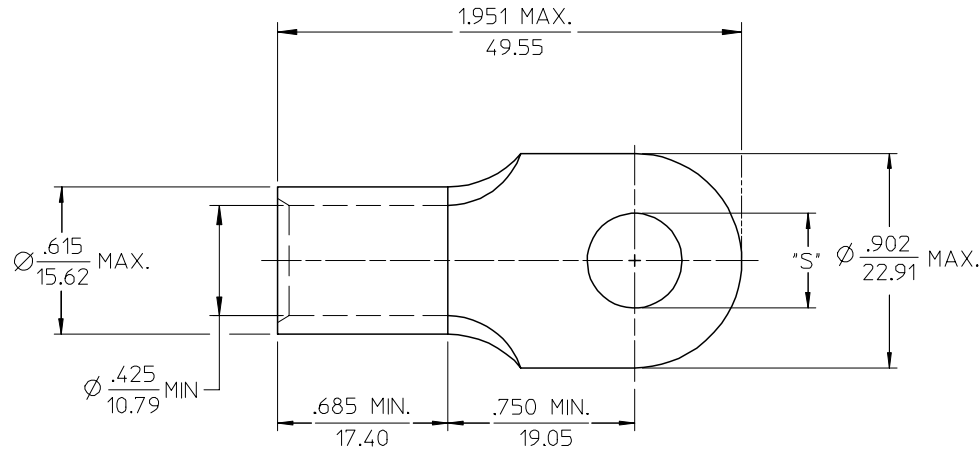


MATERIAL NO.	ENG. NO.	STUD SIZE	±.003 "S"	STOCK THICKNESS
191930326	H-380-14	1/4	.265	.075 (1.90)
191930328	H-380-56	5/16	.328	
191930612	H-380-38	3/8	.390	
191930329	H-380-76	7/16	.453	
191930325	H-380-12	1/2	.515	



SALES DRAWING

- NOTE(S):
1. MATERIAL: COPPER
  2. PLATING: ELECTROPLATE TIN
  3. ALL DIMENSIONS IN INCHES/(MM)
  4. WIRE SIZE: 1/0 AWG  
50 MM<sup>2</sup>
  5. PART IS ROHS COMPLIANT.

REV CHART & ADDED ROHS EC NO: ETL2007-0397 DRW:HEHLE 2007/04/17 CHYD: JMACNEIL 2007/05/09 APPR: JMACNEIL 2007/05/10	QUALITY SYMBOLS	GENERAL TOLERANCES (UNLESS SPECIFIED)		DIMENSION STYLE	SCALE	DESIGN UNITS	THIRD ANGLE PROJECTION	
	▽=0	mm	INCH	IN/MM	2:1	INCH		
	▽=0	4 PLACES ± ---	± ---	DRAWN BY	DATE	TITLE		
		3 PLACES ± ---	± .005	GZ	85/04/15	RING TONGUE TERMINAL, VERSAKRIMP SERIES, 1/0 AWG		
	2 PLACES ± 0.13	± .01	CHECKED BY	DATE	MOLEX INCORPORATED			
	1 PLACE ± 0.25	± ---	GZ	85/04/15				
		ANGULAR ±1/2°	APPROVED BY	DATE				
			GZ	85/04/15				
			MATERIAL NO.	DOCUMENT NO.				
			SEE CHART	SD-19193-008			SHEET NO.	
							1 OF 1	
			DRAFT WHERE APPLICABLE MUST REMAIN WITHIN DIMENSIONS					
			THIS DRAWING CONTAINS INFORMATION THAT IS PROPRIETARY TO MOLEX INCORPORATED AND SHOULD NOT BE USED WITHOUT WRITTEN PERMISSION					