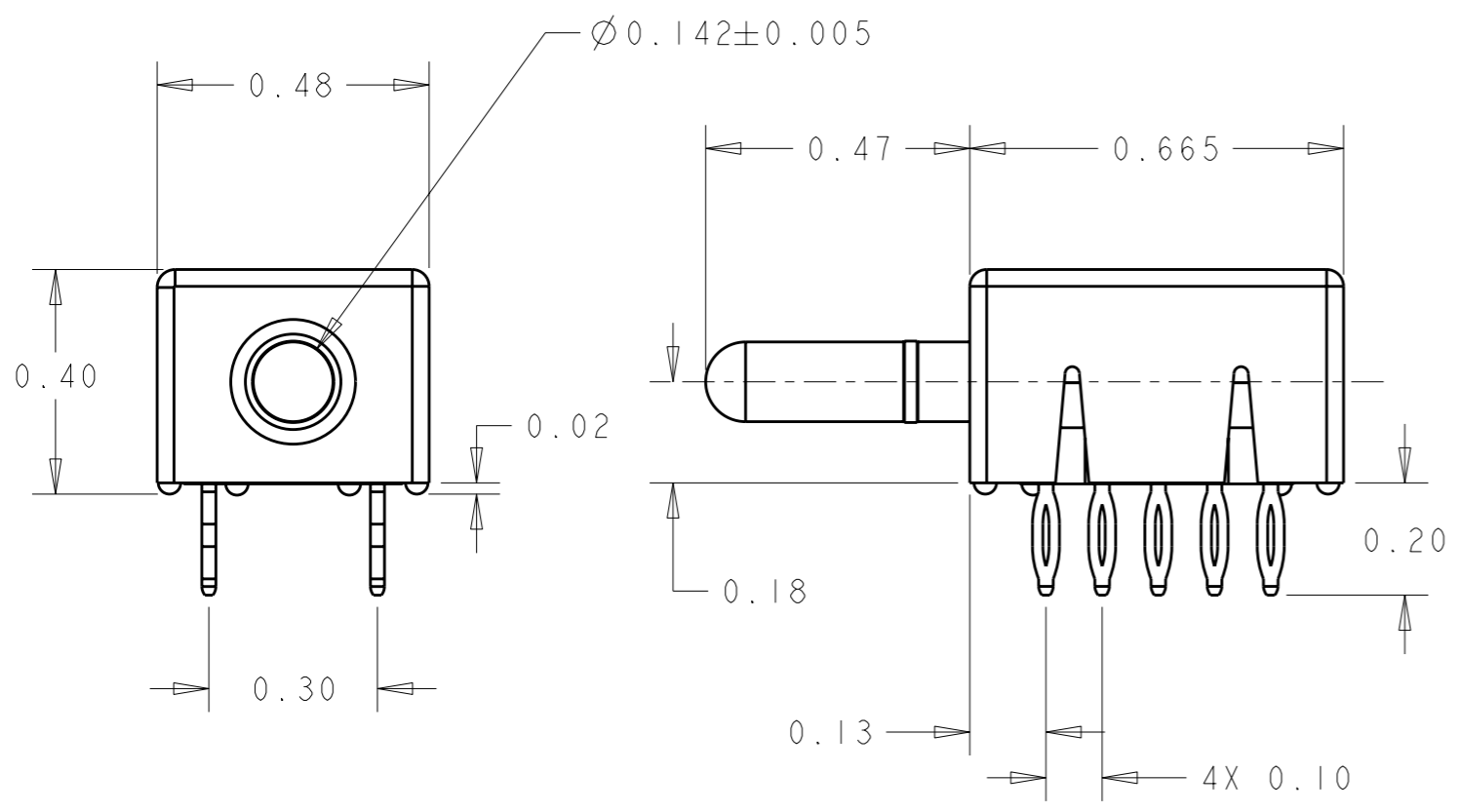


THIS DRAWING IS UNPUBLISHED. RELEASED FOR PUBLICATION 20  
 © COPYRIGHT 20 BY TYCO ELECTRONICS CORPORATION. ALL RIGHTS RESERVED.

| LOC |     | DIST        |  | REVISIONS             |           |      |    |
|-----|-----|-------------|--|-----------------------|-----------|------|----|
| P   | LTR | DESCRIPTION |  | DATE                  | DWN       | APVD |    |
| -   | -   | A           |  | NEW RELEASE           | 24OCT2008 | CR   | DO |
|     |     | B           |  | REV PER ECO-10-020184 | 11JAN2011 | RG   | NE |
|     |     | C           |  | REV PER ECO-11-007678 | 11MAY2011 | RG   | DO |



- PART NUMBER CHANGES AND/OR DESIGN CHANGES AFFECTING INTERCHANGEABILITY REQUIRE PRIOR TYCO ELECTRONICS APPROVAL AND AUTHORIZATION BY REVISION TO THIS DRAWING
- ITEMS PROVIDED TO THIS SPECIFICATION TO BE PERMANENTLY IDENTIFIED PER THE FOLLOWING IDENTIFIER LABEL

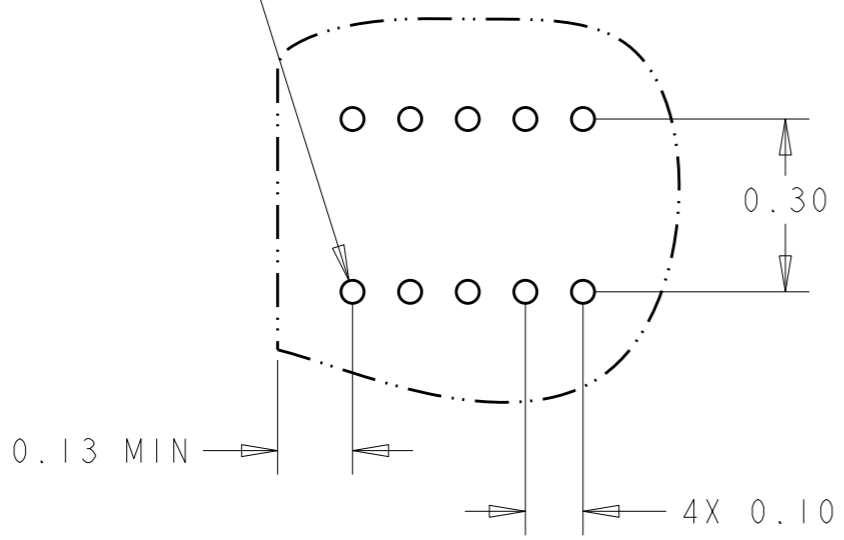
YEAR 11 WEEK 06  
 TYCO ELECTRONICS P/N: XXXXXXXX-X  
 DATE CODE (e.g. 0106): XXXX

- MATERIALS:

  - INSULATOR: POLYESTER
  - MODULE: ZINC ALLOY
  - COMPLIANT PINS: PHOSPHOR BRONZE
  - CROWN BAND: COPPER ALLOY
  - CONTACT: BRASS ALLOY
- FINISHES:

  - INSULATOR: COLOR BLACK
  - MODULE: .0002 MIN THK. SILVER  
OVER .00004 MIN. THK. NICKEL
  - COMPLIANT PINS: .0002 MIN THK. SILVER  
OVER .00004 MIN. THK. NICKEL
  - CROWN: .000040 MIN THKGOLD (IN CONTACT AREA)  
OVER .00004 MIN. THK. NICKEL
  - CONTACT PIN: .0002 MIN THK. SILVER  
OVER .00004 MIN. THK. NICKEL

0.04 DRILLED HOLE  $\phi .0453 \pm .001$   
 AFTER PLATING  $\phi .043 / .037$ , 10X



RECOMMENDED PCB LAYOUT

THIS DRAWING IS A CONTROLLED DOCUMENT FOR TYCO ELECTRONICS CORPORATION  
 IT IS SUBJECT TO CHANGE AND THE CONTROLLING ENGINEERING ORGANIZATION  
 SHOULD BE CONTACTED FOR THE LATEST REVISION.

|                    |      |  |       |
|--------------------|------|--|-------|
| DIMENSIONS: INCHES |      | TOLERANCES UNLESS OTHERWISE SPECIFIED: |       |
| 0 PLC              | ±-   | 1 PLC                                  | ±-    |
| 2 PLC              | ±.02 | 3 PLC                                  | ±.010 |
| 4 PLC              | ±-   | ANGLES                                 | ±.5   |
| MATERIAL           | -    | FINISH                                 | -     |

|                  |              |           |
|------------------|--------------|-----------|
| DWN              | C. ROHLER    | 24OCT2008 |
| CHK              | D. ORRIS     | 24OCT2008 |
| APVD             | M. PERCHERKE | 24OCT2008 |
| PRODUCT SPEC     | -            | -         |
| APPLICATION SPEC | -            | -         |
| WEIGHT           | -            | -         |
| CUSTOMER DRAWING |              |           |

|  |           |            |               |
|--|-----------|------------|---------------|
| AS SHOWN   |           | 6643273-1  |               |
| DESCRIPTION  |           | PART NO.   |               |
| Tyco Electronics<br>Harrisburg, PA 17105-3608              |           |            |               |
| NAME<br>IC CON SOCKET<br>PARALLEL COMPLIANT PIN<br>LOCKING |           |            |               |
| SIZE   | CAGE CODE | DRAWING NO | RESTRICTED TO |
| A3   | 00779     | C-6643273  | -             |
| SCALE 3:1  |           | SHEET 1    | OF 1          |
|  |           | REV        | C             |