

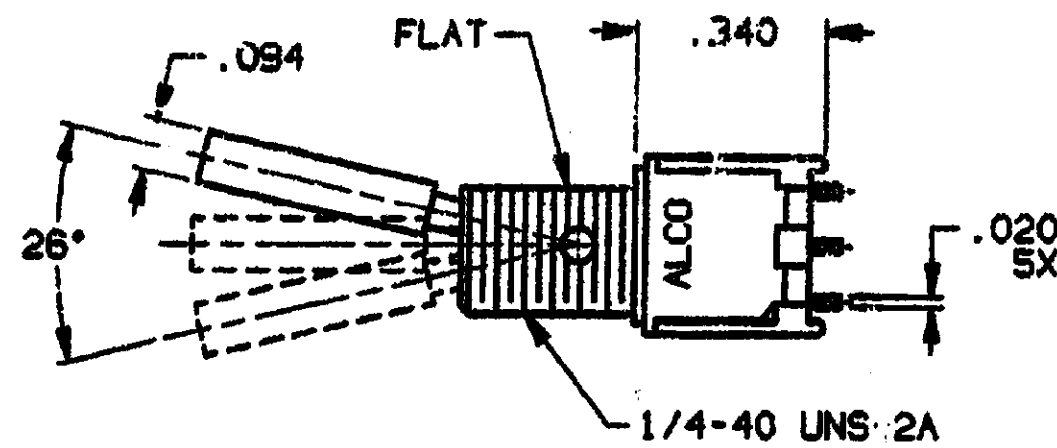
4

3

2

1

CONVERSION CHART	
INCH	MM
.002	0.05
.010	0.25
.020	0.51
.030	0.76
.043	1.09
.084	2.38
.100	2.54
.125	3.12
.130	3.30
.135	3.43
.200	5.08
.206	5.23
.227	5.77
.227	5.77
.230	5.84
.250	6.35
.254	6.45
.280	7.11
.310	7.87
.320	8.13
.340	8.64
.420	10.67
.485	12.32



**SPECIFICATIONS:**

**MATERIALS:**

CASE: THERMOPLASTIC 94V-0.  
 FRAME: STEEL, TIN PLATED.  
 ACTUATOR: COPPER ALLOY, NICKEL PLATED.  
 MOVING CONTACT: COPPER ALLOY, GOLD OVER NICKEL PLATE.  
 FIXED CONTACT/TERMINAL: COPPER ALLOY, TIN/LEAD PLATE.  
 TERMINAL SEAL: EPOXY.

**ELECTRICAL:**

CONTACT RATING: 0.4 VA MAX. @ 20 VDC OR PEAK AC.  
 INITIAL CONTACT RESISTANCE: 20 MILLIOHMS MAX.  
 INSULATION RESISTANCE: 1,000 MEGOHMS @ 500 VDC MIN.  
 DIELECTRIC STRENGTH: 1,000 VOLTS RMS @ SEA LEVEL.  
 LIFE EXPECTANCY: 80,000 CYCLES.

**MECHANICAL:**

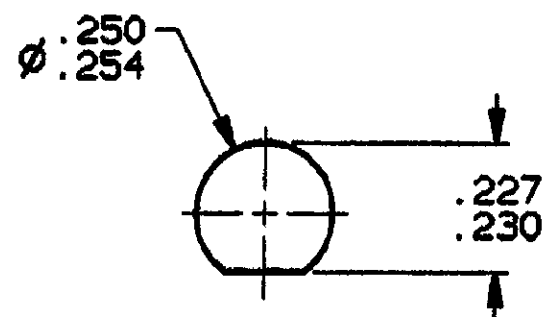
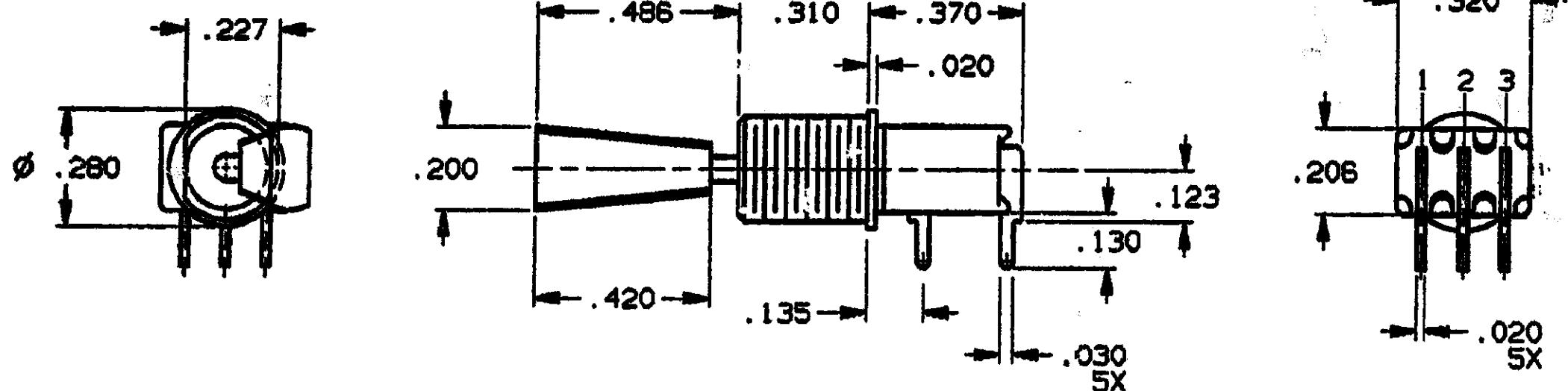
ACTUATION TRAVEL: 26°.

**ENVIRONMENTAL:**

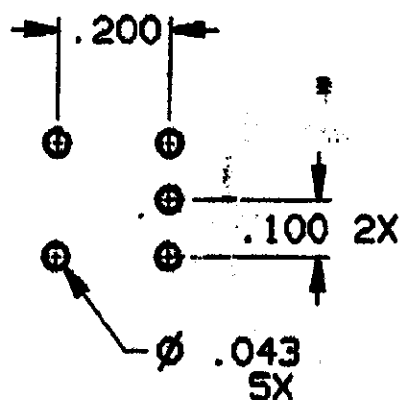
OPERATING TEMPERATURE: -22°F TO +185°F (-30°C TO +85°C).  
 STORAGE TEMPERATURE: -67°F TO +185°F (-55°C TO +85°C).

**NOTES:**

1. INTERPRET DRAWING PER ANSI Y14.5M-1982.



**RECOMMENDED PANEL CUTOUT**



**RECOMMENDED HOLE LAYOUT**

TERMINALS CONNECTED WHEN TOGGLE IN POSITIONS SHOWN.			
SWITCH ACTION CODE (*)			
D	2 TO 3	NONE	2 TO 1
E	2 TO 3	OFF	2 TO 1
F	2 TO 3 (MOM)	NONE	2 TO 1

NOTE:  
 DESIGNATION NUMBERS ARE FOR REFERENCE ONLY AND DO NOT APPEAR ON THE SWITCHES.

AUGAT D/N 40305

CUSTOMER DRAWING			
SPECIFICATIONS ARE SUBJECT TO CHANGES WITHOUT NOTICE			
 THIRD ANGLE PROJECTION	UNLESS OTHERWISE SPECIFIED DIMENSIONS ARE IN INCHES DO NOT SCALE PRINT		ORIGINAL DATE OF DRAWING: 10-2-96
	TOLERANCES (UNLESS OTHERWISE NOTED): ANGULAR .XX° ± .5° DECIMAL .XX ± .010 DECIMAL .XXX ± .010 DECIMAL .XXXX ± .010	FILE NAME: 40305OUT	DIRECTORY: TINSWCH
MATERIAL: SEE SPECIFICATIONS		DRAWN: S.KIRCORIAN	DATE: 10-2-96
FINISH: SEE SPECIFICATIONS		CHECKED:	DATE:
		APPROVED:	DATE:
		CODE IDENT. NO. 91506	DWG. SIZE C
		NEXT ASSY:	

<b>TYCO ELECTRONICS</b>	
TITLE: CUSTOMER DRAWING TOGGLE SWITCH TINY SERIES S.P. R.A. (TT11(*)G-RA-7T 1/4)	
DWG. NO. 4-1437561-5	REV. B
PRODUCT CODE: A81	SCALE: 1 SHEET 1 OF 1

REV	B
REVISIONS	OG3C-0194-05 MZ 28MAR07