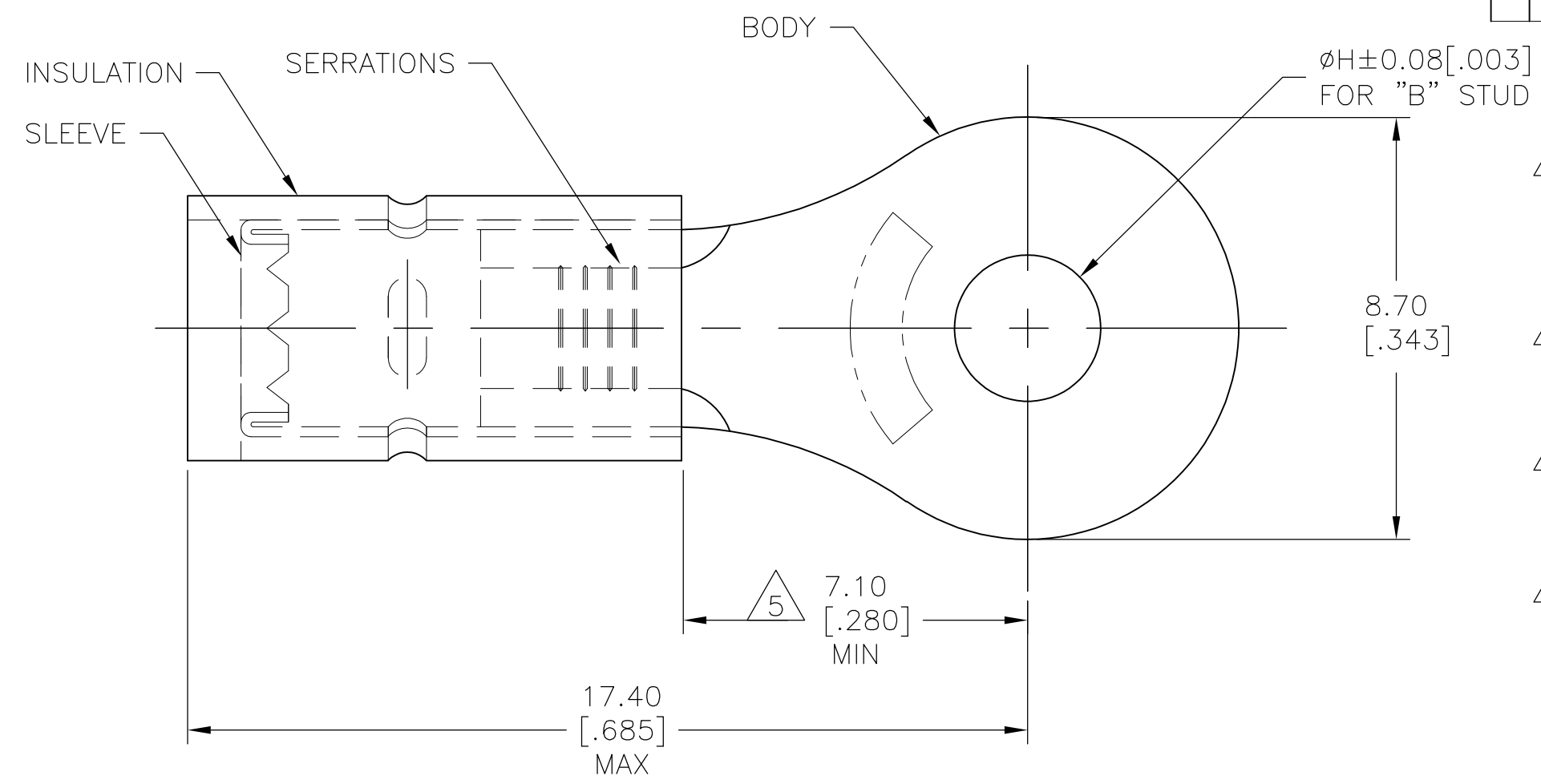
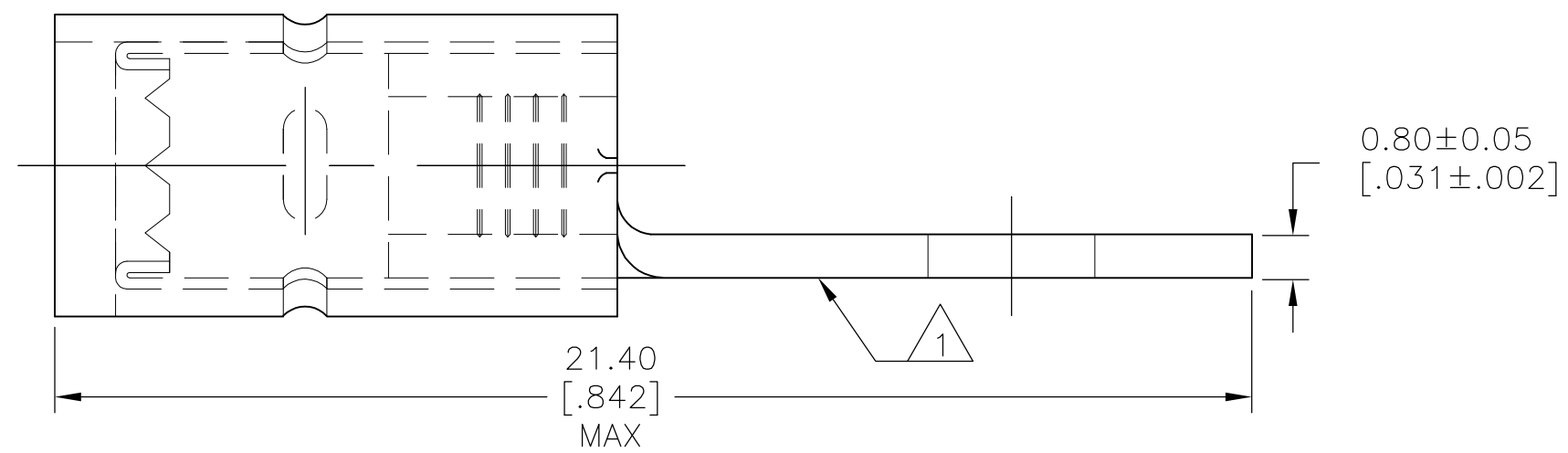


THIS DRAWING IS UNPUBLISHED. RELEASED FOR PUBLICATION
 © COPYRIGHT - By - ALL RIGHTS RESERVED.

| LOC | DIST | REVISIONS | | | |
|-----|------|-------------|---------------------------|---------|-------|
| P | LTR | DESCRIPTION | DATE | DWN | APVD |
| | | B1 | REDRAWN PER ECO-12-017335 | 08OCT12 | KH DR |



- 1 STAMP AMP 16-14* APPROX AS SHOWN
- 2 FOR INSULATION DIAMETER 2.6[.102] TO 3.8[.150]
- 3 MATERIAL:
BODY&SLEEVE: COPPER PER ASTM B152
INSULATION: NYLON.
- 4 FINISH:
BODY&SLEEVE: TIN PLATE PER ASTM B545
INSULATION: COLOR-BLUE
- 5 APPLIES FROM CENTER OF STUD HOLE TO
EDGE OF METAL WIRE BARREL



| | | |
|-----|------------|-------------|
| M5 | 5.2[.207] | 130663 |
| M3 | 3.00[.119] | 130662 |
| "B" | H | PART NUMBER |

| | | | | | |
|--|--|---------------------------------|---|--------------------|------------------------|
| THIS DRAWING IS A CONTROLLED DOCUMENT. | | DWN KIRAN HOLAL 08OCT12 | STE TE Connectivity | | |
| DIMENSIONS: mm [INCHES] | | CHK ROHDE DANIEL 08OCT12 | | | |
| TOLERANCES UNLESS OTHERWISE SPECIFIED: | | APVD ROHDE DANIEL 08OCT12 | NAME TERMINAL RING TONGUE, PIDG 16-14 AWG | | |
| 0 PLC ± - | | PRODUCT SPEC | - | | |
| 1 PLC ± 0.38[.015] | | APPLICATION SPEC | - | | |
| 2 PLC ± - | | WEIGHT | - | | |
| 3 PLC ± - | | SIZE A3 | | CAGE CODE 00779 | DRAWING NO C-130662 |
| 4 PLC ± - | | RESTRICTED TO | | | |
| ANGLES ± 1° | | - | | | |
| MATERIAL | | CUSTOMER DRAWING | | | |
| FINISH | | SCALE 8:1 | | SHEET 1 OF 1 | REV B1 |