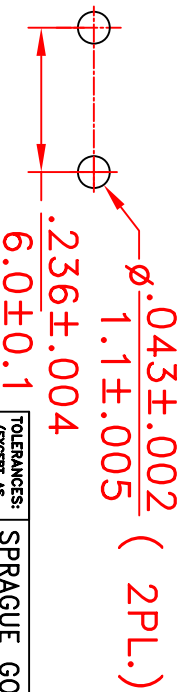
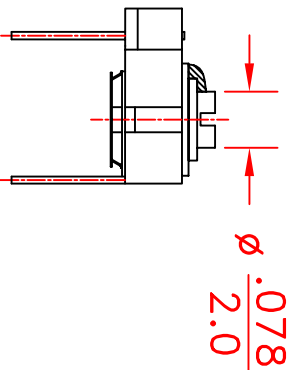
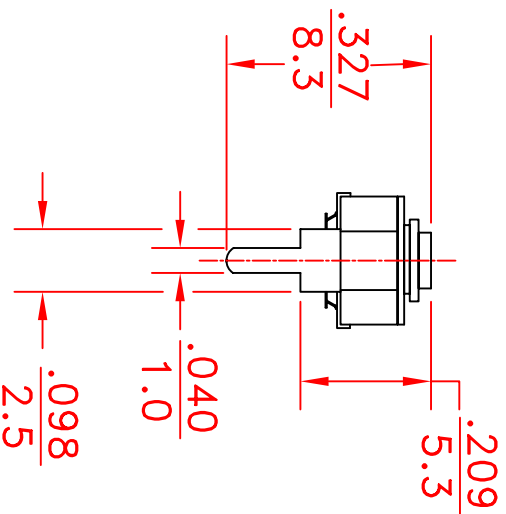
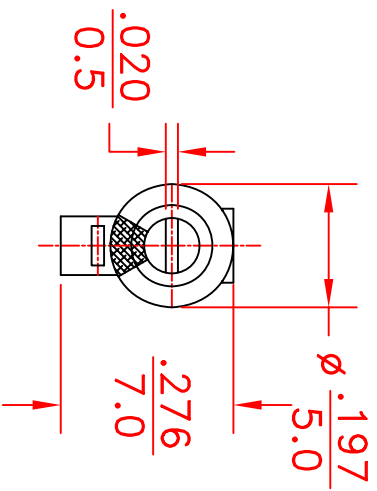


REV	DESCRIPTION	DATE	APP
00	NEW DRAWING	01/22/10	



**SPECIFICATIONS:**

1. Capacitance : Cmin 6.8 pF  
Cmax 40.0 pF
2. Operating temperature range : - 25°C to + 85°C
3. TCC : N1100 ± 500 ppm/°C
4. Q min at maximum rated capacitance : 200 at 1MHz
5. Voltage rating 100 VDC
6. Dielectric withstanding voltage: 220 VDC
7. Insulation resistance:  $10^4$  Megohms min.
8. Torque : 35 to 200 g-cm ( 0.49 to 2.8 oz-in)
9. Terminal resistance: 5 sec. @ 260°C +50 %
10. Vibration: 50 g @ 10-2000 Hz
11. Capacitance drift: 5 % or 1.5 pF whichever is greater

TOLERANCES:  
(EXCEPT AS NOTED)

DECIMAL:  $\pm 0.002$  in  
FRACTIONAL:  $\pm 0.051$  mm

ANGULAR:  $1^\circ$

DATE: 01/22/10

DRAWING NUMBER: GKU40020

REV. 00

**MOUNTING HOLES LAYOUT**

SPRAGUE GOODMAN ELECTRONICS INC. 1700 SHAMES DRIVE WESTBURY, NY 11590	MATERIAL:	SCALE: 4:1	DRAWN BY: R.LEVIN
1/64	TITLE: OUTLINE DWG P/N GKU40020	APPROVED:	USED FOR: