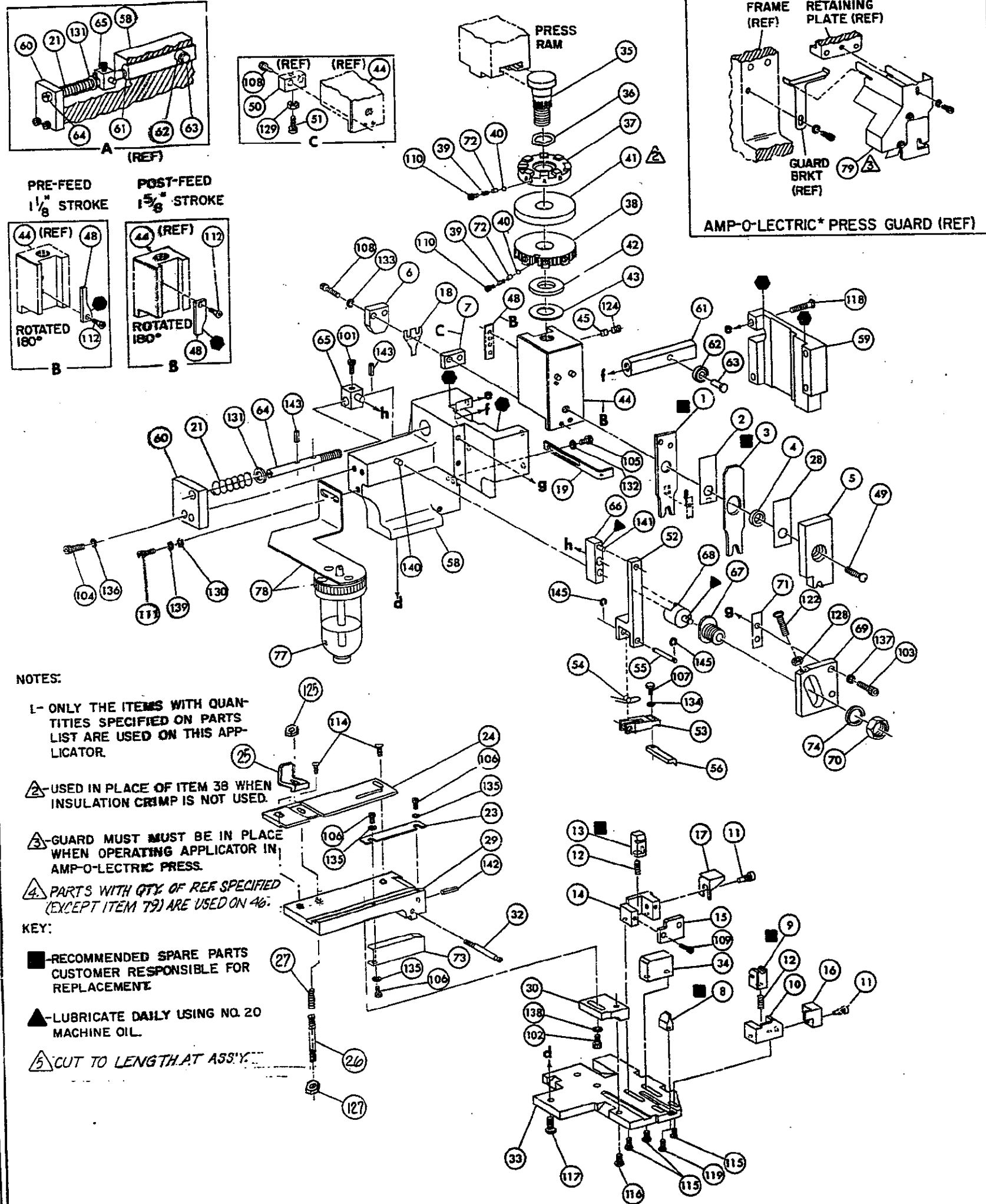


THIS DRAWING IS A CONTROLLED DOCUMENT.



NOTES:

1- ONLY THE ITEMS WITH QUANTITIES SPECIFIED ON PARTS LIST ARE USED ON THIS APPLICATOR.

▲ USED IN PLACE OF ITEM 38 WHEN INSULATION CRIMP IS NOT USED.

▲ GUARD MUST BE IN PLACE WHEN OPERATING APPLICATOR IN AMP-O-LECTRIC PRESS.

▲ PARTS WITH QTY OF REF SPECIFIED (EXCEPT ITEM 79) ARE USED ON 46.

KEY:

■ RECOMMENDED SPARE PARTS CUSTOMER RESPONSIBLE FOR REPLACEMENT

▲ LUBRICATE DAILY USING NO. 20 MACHINE OIL.

▲ CUT TO LENGTH AT ASSY.

RELEASED FOR PUBLICATION JULY, 1988. BY AMP INCORPORATED. ALL RIGHTS RESERVED. © COPYRIGHT 1988

*Trademark of AMP Incorporated
AMP 2983-3 (8-73)

REF.	21045-3	RING, RETAINING 'C' (.187 DIA) FEED FINGER PIN	145	REF.	454220-1	CAP, HOUSING	59	
				REF.	454485-1	HOUSING	58	
REF.	5-21028-1	PIN, SLOT SPR (.125 DIA X .50) ADJ ROD	143				57	
1	4-21028-0	PIN, SLOT SPR (.093 DIA X .75) STR G PLATE	142	1	694425-7	PAWL, FEED	56	
REF.	1-21030-1	PIN, DOWEL (.187 DIA X .50) LEVER	141	REF.	240624-1	PIN, FEED FINGER	55	
REF.	1-21030-6	PIN, DOWEL (.187 DIA X 1.25) HOUSING	140	REF.	691499-1	SPRING, FEED FINGER	54	
+	21024-5	WASHER, LOCK (NO 10) LUB ASSY	139	REF.	690541-1	FINGER, FEED	53	
1	21024-5	WASHER, LOCK (NO 10) STRIP GUIDE ADJ BLOCK	138	REF.	455679-1	LEVER, TERMINAL FEED ARM	52	
REF.	21024-5	WASHER, LOCK (NO 10) ADJ PLATE	137	+	+	BUMPER, HOLDDOWN	51	
REF.	21024-5	WASHER, LOCK (NO 10) FEED GUIDE ROD	136	+	+	SPACER, TONKOR	50	
3	21057-2	WASHER, LOCK (NO 4) FRONT STRIP GUIDE	135	1	7-21002-9	BOLT, CRIMPER	49	
1	21024-4	WASHER, LOCK (NO 8) FEED FINGER	134	1	690501-4	CAM POST FEED 15/8" STROKE	48	
2	21024-4	WASHER, LOCK (NO 8) DEPRESSOR	133				47	
1	21024-4	WASHER, LOCK (NO 8) STRIPPER	132	1	459456-1	APPLICATOR, BASIC (SUB ASSY)	46	
REF.	21899-4	WASHER, FLAT (5/16 DIA) SCREW ADJ	131	1	690191-1	PLUG, NYLON	45	
+	21899-2	WASHER, FLAT (NO 10) LUB ASSY	130	1	455673-1	RAM	44	
+	21068-5	NUT, HEX MACH (6-32) HOLDDOWN	129	1	690115-1	WASHER, LAMINATED	43	
REF.	21068-5	NUT, HEX MACH (6-32) FEED ADJ	128	1	690124-1	WASHER, RAM	42	
1	21021-5	NUT, HEX LOCK (DRAG)	127	1	690723-1	DISC, SPACER	41	
+	22353-8	SCR, SHLD. (.187 DIA X .250 LG) DRAG LEVER	126	1	23241-6	BALL, STEEL	40	
1	21018-6	NUT, HEX, MACH. 8-52 (DRAG)	125	1	690170-1	SPRING, COMPRESSION	39	
1	22651-9	SCR, SKT SET (1/4-20 X .25) (LOC-WEL) RAM	124	+	+	DISC, INSULATION	38	
				123	1	1-690697-2	DISC, WIRE	37
REF.	3-21064-2	SCR, RD HD MACH (6-32 X 1.50) FEED ADJ	122	1	22480-5	WASHER, SPRING	36	
				121	1	690212-1	POST, RAM	35
+	2-21002-9	SCR, BUT HD SKT CAP (10-32 X .75) DRAG	120	+	+	SUPPORT, TERMINAL	34	
1	24073-2	SCR, BUT HD SKT CAP (8-32 X .38) (LOC-WEL) ANVIL	119	REF.	455675-1	PLATE, BASE	33	
REF.	2-21002-9	SCR, BUT HD SKT CAP (10-32 X .75) CAP	118	1	690432-3	SCREW, ADJUSTMENT	32	
REF.	1-24073-9	SCR, BUT HD SKT CAP (1/4-20 X .75) HOUSING	117				31	
REF.	2-21002-7	SCR, BUT HD SKT CAP (10-32 X .50) SG ADJ BLOCK	116	REF.	455680-1	BLOCK, STRIP GUIDE ADJ	30	
REF.	2-21002-2	SCR, BUT HD SKT CAP (8-32 X .50) SHEAR	115	1	460976-1	PLATE, STRIP GUIDE	29	
2	1-21002-7	SCR, BUT HD SKT CAP (6-32 X .38) R STRIP GUIDE	114	1	1-455688-0	SPACER, FRONT SHEAR DEPRESSOR	28	
1	2-21003-0	SCR, FLAT HD SKT CAP (6-32 X .50) CAM	112	1	22254-8	DRAG, STUD	25	
+	3-21000-4	SCR, SKT HD CAP (10-32 X .38) LUBRICATOR ASSY	111	1	387650-5	DRAG, STOCK	26	
1	3-23657-8	SCR, SKT HD CAP (6-32 X .25) (LOC-WEL) CP DISC	110	1	480462-3	GUIDE STRIP (REAR)	24	
2	1-21000-9	SCR, SKT HD CAP (6-32 X .38) REAR SHEAR PLATE	109	1	460975-1	GUIDE, STRIP (FRONT)	23	
2	2-21000-2	SCR, SKT HD CAP (8-32 X .77) DEPRESSOR	108				22	
1	2-22603-0	SCR, HEX HD MACH (8-32 X .31) FEED FINGER	107	K E F	4-22284-9	SPRING, FEED RETURN	21	
2	1-21000-9	SCR, SKT HD CAP (6-32 X .25) F STRIP GUIDE	106				20	
1	2-21000-7	SCR, SKT HD CAP (8-32 X .50) STRIPPER	105	1	690472-1	STRIPPER	19	
REF.	3-21000-7	SCR, SKT HD CAP (10-32 X .62) FEED ROD GUIDE	104	+	+	HOLDER, TERMINAL	18	
REF.	3-21000-6	SCR, SKT HD CAP (10-32 X .62) FEED ADJ BLOCK	103	1	691668-1	GUARD, CHIP (REAR)	17	
1	3-21000-4	SCR, SKT HD CAP (10-32 X .38) SG ADJ BLOCK	102	1	691667-1	GUARD, CHIP (FRONT)	16	
REF.	3-21000-4	SCR, SKT HD CAP (10-32 X .38) PIVOT BLOCK	101	1	460974-1	PLATE, SHEAR (REAR)	15	
REF.	455749-1	GUARD, WINDOW	79	1	690462-4	HOLDER, SHEAR (REAR)	14	
+	1-455184-0	LUBRICATOR ASSY	78	1	690463-5	SHEAR, FLOAT (REAR)	13	
+	+	OIL, LUBRICATING	77	2	5-22280-0	SPRING, SHEAR	12	
			76	2	690461-1	STOP, SHEAR	11	
			75	1	690459-1	HOLDER, SHEAR (FRONT)	10	
REF.	458109-1	WASHER, SPECIAL	74	1	454276-1	SHEAR, FLOAT (FRONT)	9	
+	+	PLATE, STRIP GUIDE COVER	73	1	5-690572-8	ANVIL	8	
1	690603-1	SPRING, ASSIST	72	1	1-240641-8	SPACER, DEPRESSOR (REAR)	7	
REF.	690517-1	SPACER	71	1	690468-1	DEPRESSOR, SHEAR (REAR)	6	
REF.	22694-8	NUT, HEX	70	1	455259-9	DEPRESSOR, SHEAR (FRONT)	5	
+	240628-1	PLATE, ADJUSTMENT	69	+	+	SPACER, TUBULAR, INS CRIMPER	4	
+	240626-1	SHAFT, PIVOT	68	+	+	CRIMPER, INSULATION	3	
+	240633-1	BUSHING	67	+	+	SPACER, CRIMPER	2	
+	455680-1	LEVER, INTERMEDIATE	66	1	3-456402-3	CRIMPER, WIRE	1	
			65					

QTY	PART NO	DESCRIPTION	CRIMPING DATA				APPLICATOR WILL APPLY
			PAD LTR	CRIMP HEIGHT	WIRE SIZE	WIRE LENGTH	
			A	.045	20		41987
			B	.040	22		41988
			C	NOT USED			41989
			D	NOT USED			42233

REMARKS	NO	REV
APPL USED ON MACHINE PART NO	MACH SERIAL NO	DISTRIBUTION
CUSTOMER NAME	APPL SERIAL NO	ORIGINAL
ADDRESS	PURCHASE ORDER	CUSTOMER COPY
CITY	ENG APP	FIELD ENG COPY

AMPOMATOR FRO

J. D. PLATE (REF) 461264-1

WIRE RANGE 22-20

INSULATION RANGE PRESS NO

CRIMP SIZE TYPE FEED APPL INST

WIRE .095 1F .700 A1 804-0

INSUL → →

AMP INCORPORATED

460129-1

MINIATURE QUICK CHANGE APPLICATOR

SIDE FEED (TAB RECEIPT)