

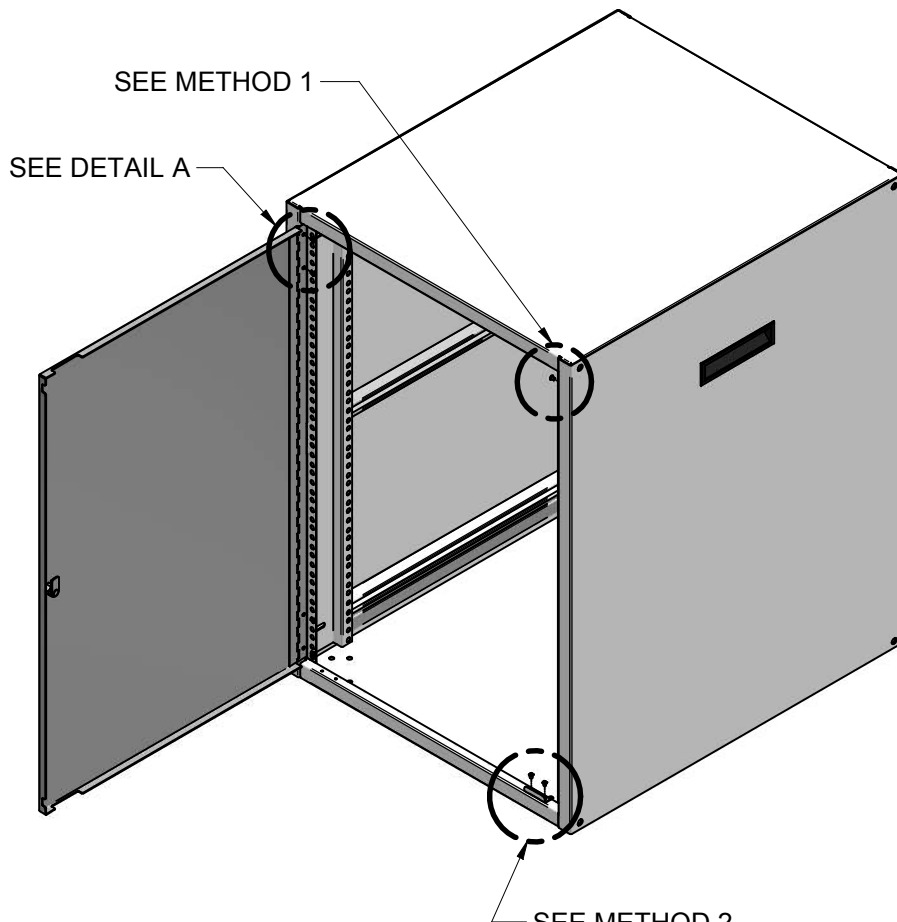
RCHD - SERIES

ASSEMBLY INSTRUCTIONS FOR RCHS DOOR

BUL10301

REV. C

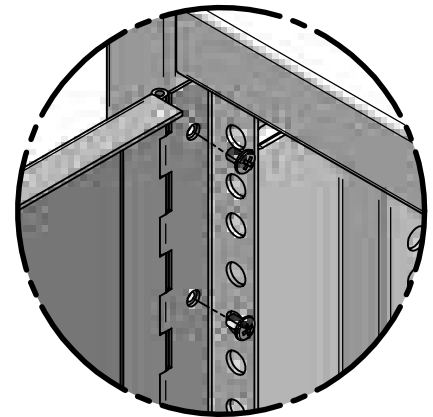
PAGE 1 OF 1



NOTES:

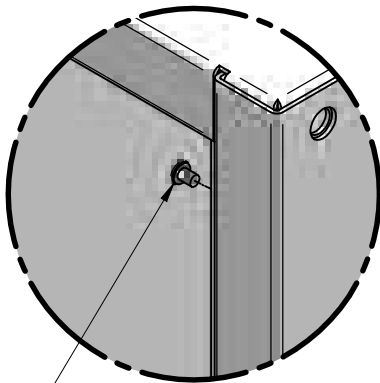
IF MOUNTING RAILS ARE POSITIONED FULLY TO THE FRONT/BACK THEN NO DOOR STOPS ARE REQUIRED!

THERE ARE 2 DOOR STOP METHODS DEPENDING ON CABINET AND DOOR REVISION LEVELS



DETAIL A
TYP TOP & BOTTOM

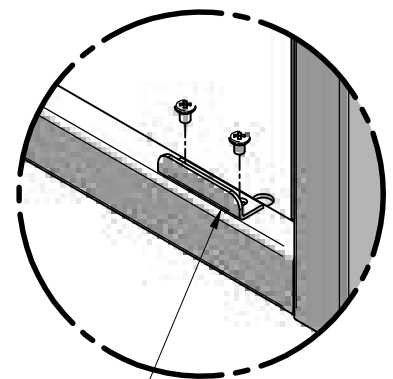
METHOD 1 TYP TOP & BOTTOM



6-32 SCREWS CAN BE USED AS DOOR STOPS. LOCATE ONE AT THE PREPUNCHED HOLE AT THE VERY TOP AND BOTTOM.

SEE METHOD 2
(CAN ONLY BE USED WHEN FRAME HAS PREPUNCHED HOLES AND DOOR IS NOTCHED FOR BRACKET)

METHOD 2 TYP TOP & BOTTOM



WHERE HOLES EXIST ON FRAME AND NOTCHES ON DOOR, THEN THIS METHOD MAY BE USED AS THE DOOR STOP.

TOOL BOX



Phillips
Screw Driver



HAMMOND
MANUFACTURING™
ELECTRONICS GROUP

visit our website @ www.hammondmfg.com