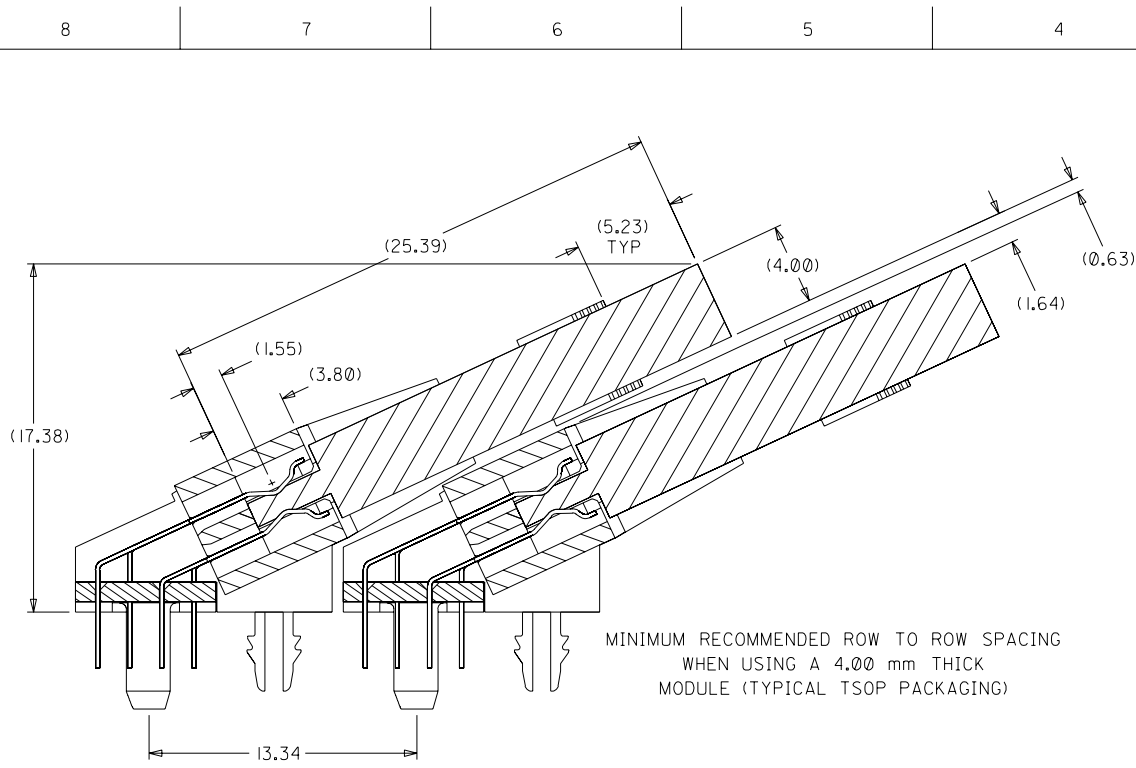
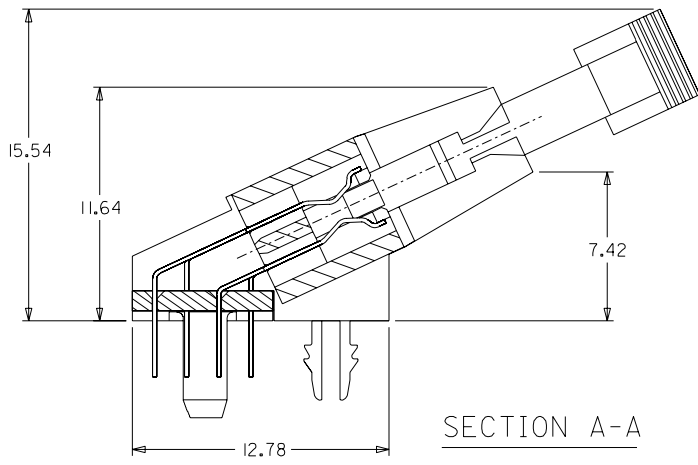


- NOTES:
- MATERIALS: HOUSING AND LATCH - HIGH TEMPERATURE THERMOPLASTIC, UL 94-V0
TERMINAL AND FORKLATCH - COPPER ALLOY
 - FINISHES: CONTACT AREA: SEE TABLE ON SHEET 3
SOLDER TAILS: 2.54µm/100µ" MIN. TIN/LEAD
 - PRODUCT SPECIFICATIONS: PS-87587-007 FOR PERFORMANCE SPECIFICATIONS.
 - DATE CODE SHALL BE MARKED LEGIBLY AS SHOWN: XX XXX
YEAR DAY
 - PART NUMBER SHALL BE MARKED LEGIBLY AS SHOWN: 87587-0XXX
REFER TO THE TABLE

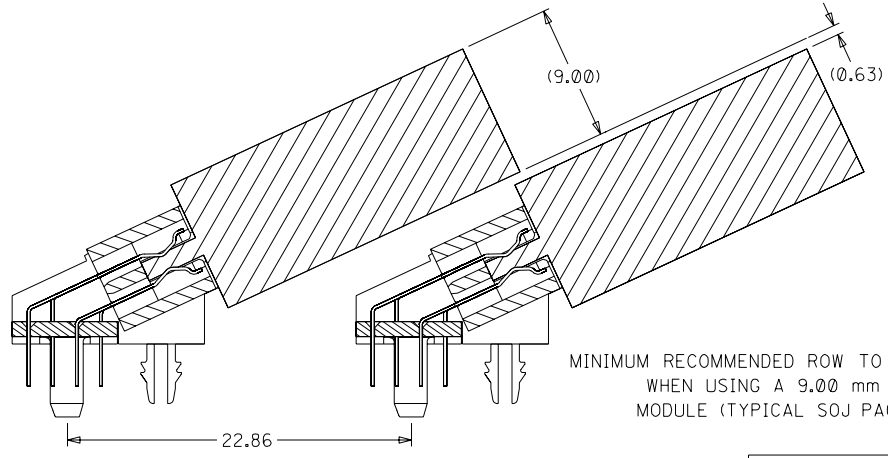
EC NO. S2003-0620 DRWN: YSKHOANG030623 CHK: PT LIM 030701 APPR: SK TOH 030702	QUALITY SYMBOLS	GENERAL TOLERANCES: (UNLESS SPECIFIED)		SCALE	DESIGN UNITS	THIRD ANGLE PROJECTION	DIMENSIONS: <input type="checkbox"/> mm <input type="checkbox"/> INCH <input type="checkbox"/> mm ONLY	3	BI
	MAJOR ▼ = 0	mm	INCH	NTS	<input checked="" type="checkbox"/> mm <input type="checkbox"/> INCH			2	BI
DESCRIPTION	CRITICAL ▽ = 0	4 PLACES	±0. --- ±.	DRAWN BY & DATE L.P.LIM 990319		TITLE: 1.27 MM PITCH 25 DEG 168 CKTS MULTI-KEY DIMM	MATERIAL NO. SEE TABLE	1	BI
		3 PLACES	±0. --- ±.	CHECKED BY & DATE K.C.LING 990614				SHEET NO. 1 OF 3	
REV		2 PLACES	±0.25 ±.	APPROVED BY & DATE S.K.TOH 990615		MOLEX INCORPORATED			
		1 PLACE	±0. --- ±.	CAD FILENAME SD-87587-001.S01		DRAWING NO. SD-87587-001			
		ANGULAR: ± 5°		THIS DRAWING CONTAINS INFORMATION THAT IS PROPRIETARY TO MOLEX INCORPORATED AND SHOULD NOT BE USED WITHOUT WRITTEN PERMISSION.		SIZE A3			



MINIMUM RECOMMENDED ROW TO ROW SPACING
WHEN USING A 4.00 mm THICK
MODULE (TYPICAL TSOP PACKAGING)



SECTION A-A



MINIMUM RECOMMENDED ROW TO ROW SPACING
WHEN USING A 9.00 mm THICK
MODULE (TYPICAL SOJ PACKAGING)

MATERIAL NO.	FUNCTION KEY	DATUM VOLTAGE KEY	TAIL LENGTH P±0.25	FINISHES: CONTACT AREA
87587-0048	LEFT	CENTER (3,3V)	2.79	SELECTIVE GOLD 0.38µm/15µ" MIN. GOLD OVER
87587-0049	CENTER			
87587-0050	RIGHT			
87587-0057	LEFT		3.18	1.27µm/50µ" MIN. NICKEL
87587-0058	CENTER			
87587-0059	RIGHT			SELECTIVE GOLD 0.76µm/30µ" MIN. GOLD OVER 1.27µm/50µ" MIN. NICKEL
87587-0148	LEFT		2.79	
87587-0149	CENTER			
87587-0150	RIGHT			
87587-0157	LEFT		3.18	
87587-0158	CENTER			
87587-0159	RIGHT			

EC NO. S2003-0620 DRWN:VSKHOANG030623 CHK: PT LIM 030701 APPR: SK TOH 030702	QUALITY SYMBOLS MAJOR ▼ = 0 CRITICAL ▽ = 0	GENERAL TOLERANCES: (UNLESS SPECIFIED) 4 PLACES ±0. --- ±. 3 PLACES ±0. --- ±. 2 PLACES ±0.25 ±. 1 PLACE ±0. --- ±. ANGULAR: ± 5°	SCALE NTS DESIGN UNITS <input checked="" type="checkbox"/> mm <input type="checkbox"/> INCH	DRAWN BY & DATE L.P.LIM 990319 CHECKED BY & DATE K.C.LING 990614 APPROVED BY & DATE S.K.TOH 990615	DIMENSIONS: <input type="checkbox"/> mm <input type="checkbox"/> INCH <input checked="" type="checkbox"/> mm <input checked="" type="checkbox"/> INCH ONLY	SHT REV
	TITLE: 1.27 MM PITCH 25 DEG I68 CKTS MULTI-KEY DIMM	MOLEX INCORPORATED		CAD FILENAME SD-87587-001.S03	MATERIAL NO. SEE TABLE	DRAWING NO. SD-87587-001
THIS DRAWING CONTAINS INFORMATION THAT IS PROPRIETARY TO MOLEX INCORPORATED AND SHOULD NOT BE USED WITHOUT WRITTEN PERMISSION.						SIZE A3