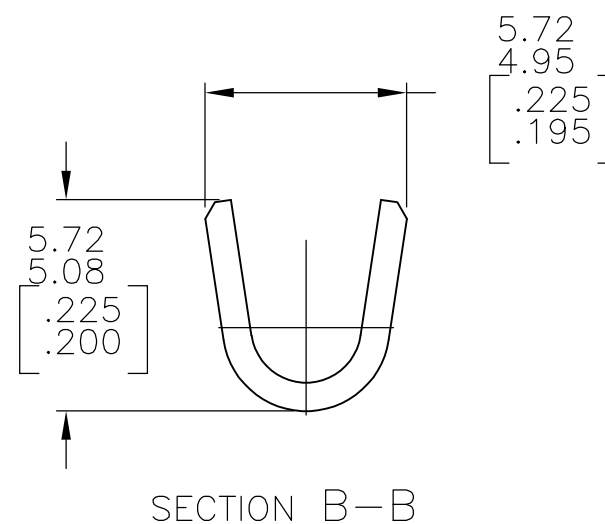
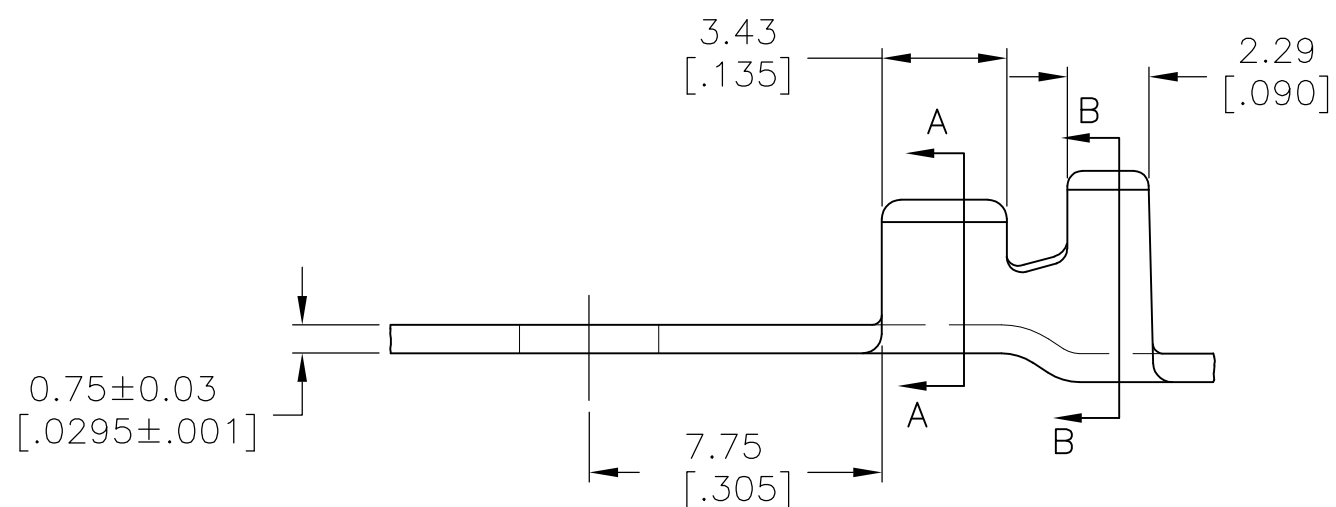
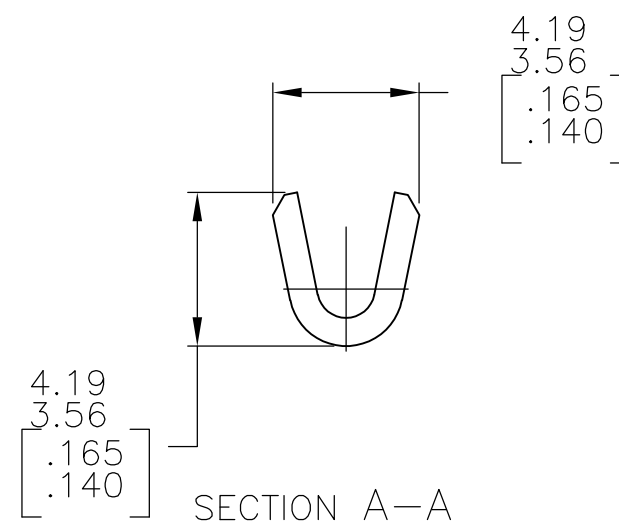
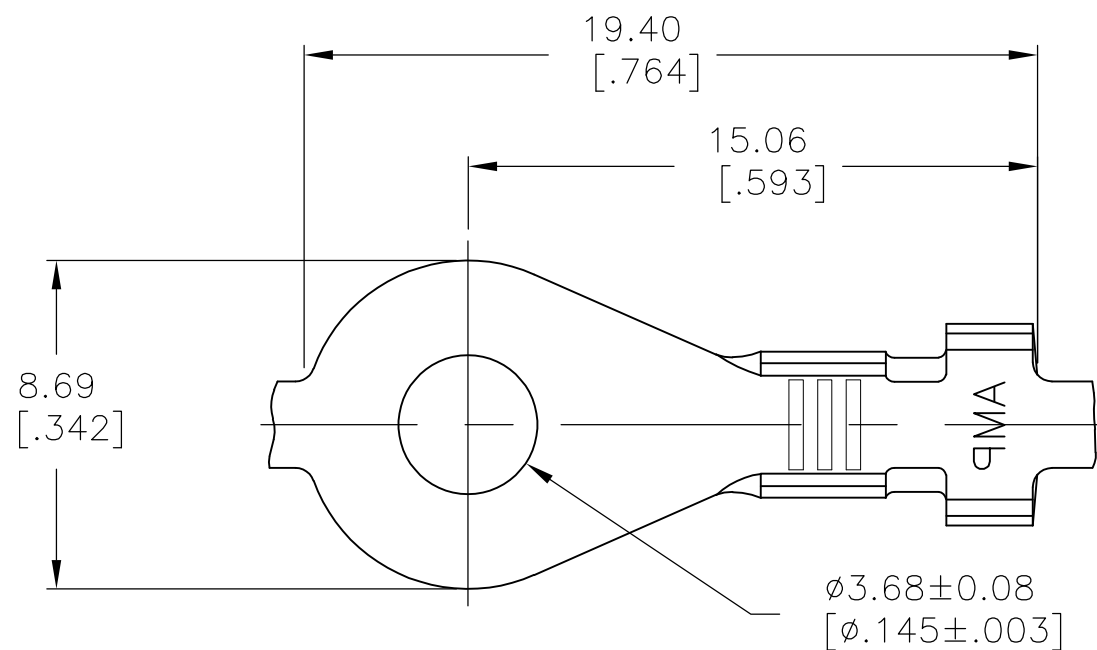


THIS DRAWING IS UNPUBLISHED. RELEASED FOR PUBLICATION  
 © COPYRIGHT BY TYCO ELECTRONICS CORPORATION. ALL INTERNATIONAL RIGHTS RESERVED.

LOC	DIST	REVISIONS					
AF	50	P	LTR	DESCRIPTION	DATE	DWN	APVD
			C2	REVISED PER ECR-10-009713	11MAY10	HMR	PD

1 CONTINUOUS STRIP ON REELS



M3.5 #6	0.5-0.4mm <sup>2</sup> [20-16]	2.54-3.56 [.100-.140]	42933-2
STUD SIZE	WIRE RANGE AWG	INSULATION RANGE	PART NO

THIS DRAWING IS A CONTROLLED DOCUMENT.		DWN RAGHAVENDRA 05MAR09	Tyco Electronics Corporation Harrisburg, PA 17105-3608	
DIMENSIONS: mm [INCHES]	TOLERANCES UNLESS OTHERWISE SPECIFIED:	CHK JEFF RUTH 05MAR09	Tyco Electronics	
	0 PLC ± -	APVD DON DECKER 05MAR09	RING	
	1 PLC ± -	PRODUCT SPEC	-	
	2 PLC ± 0.25[.010]	APPLICATION SPEC	-	
	3 PLC ± -	WEIGHT	-	
	4 PLC ± -	CUSTOMER DRAWING	SIZE A3	CAGE CODE 00779
MATERIAL BRASS	FINISH TIN	DRAWING NO C-42933		RESTRICTED TO -
		SCALE 5:1		SHEET 1 OF 1
		REV C2		