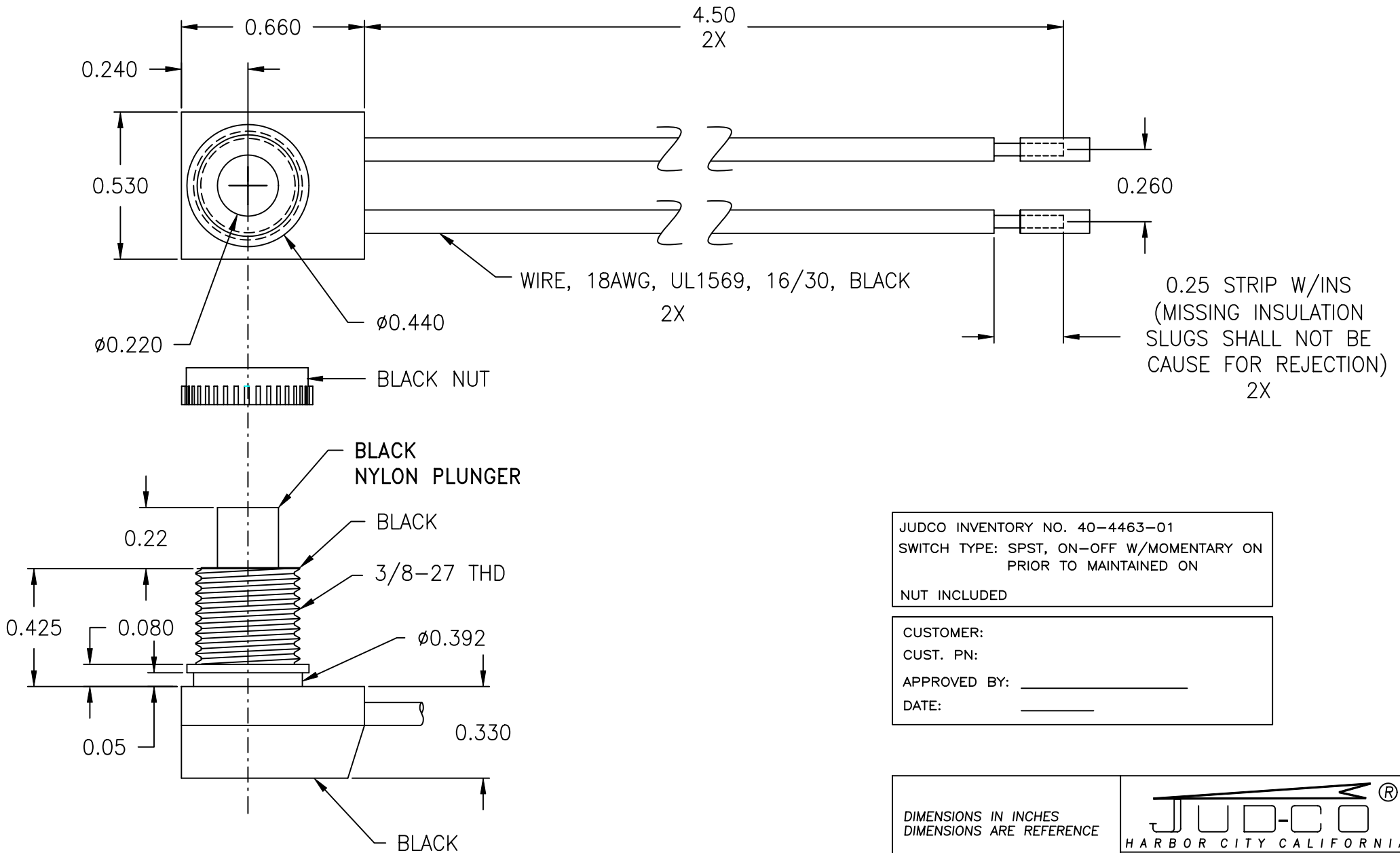


| LTR | EN | DESCRIPTION | APPR | BY | DATE |
|-----|------|--------------------------------------|------|----|---------|
| A | - | INITIAL RELEASE | RB | EM | 4-27-06 |
| B | 6269 | CHANGED PLUNGER FROM ACETAL TO NYLON | MT | NH | 4-06-11 |



JUDCO INVENTORY NO. 40-4463-01
 SWITCH TYPE: SPST, ON-OFF W/MOMENTARY ON
 PRIOR TO MAINTAINED ON
 NUT INCLUDED

CUSTOMER:
 CUST. PN:
 APPROVED BY: _____
 DATE: _____

DIMENSIONS IN INCHES
 DIMENSIONS ARE REFERENCE



APPR: KJ 04-27-06
 DRAWN: NH 04-06-11
 ENG: IS 04-06-11

DWG. NO. 1415-955
 SHEET 1 OF 1

1415U955B.DWG

This document embodies a product, component, and/or design proprietary to JUDCO MANUFACTURING INC., and which is protected either as a trade secret, by U.S. Patent, or by copyright. It may not be used in any way without written express consent of JUDCO MANUFACTURING INC.