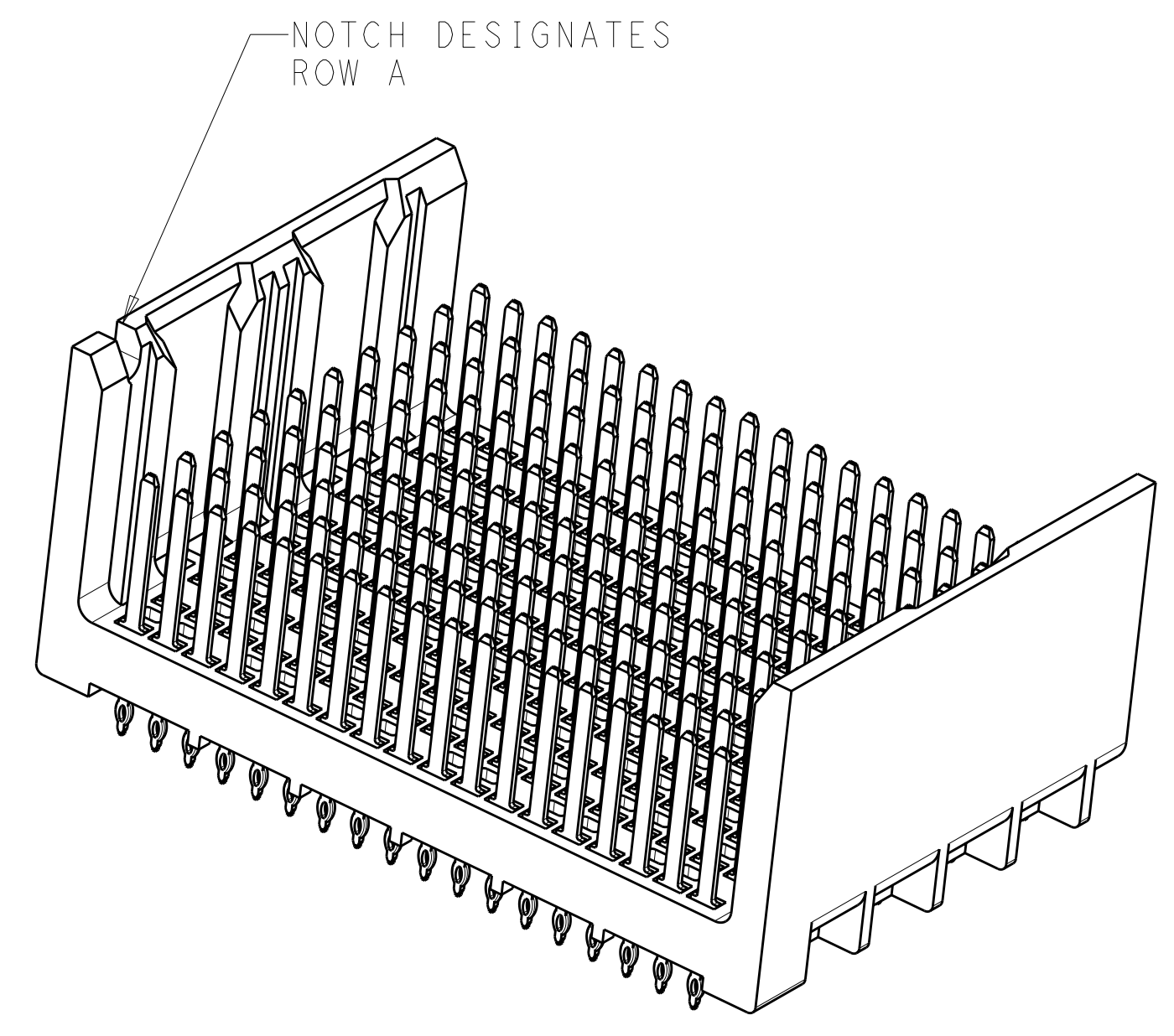
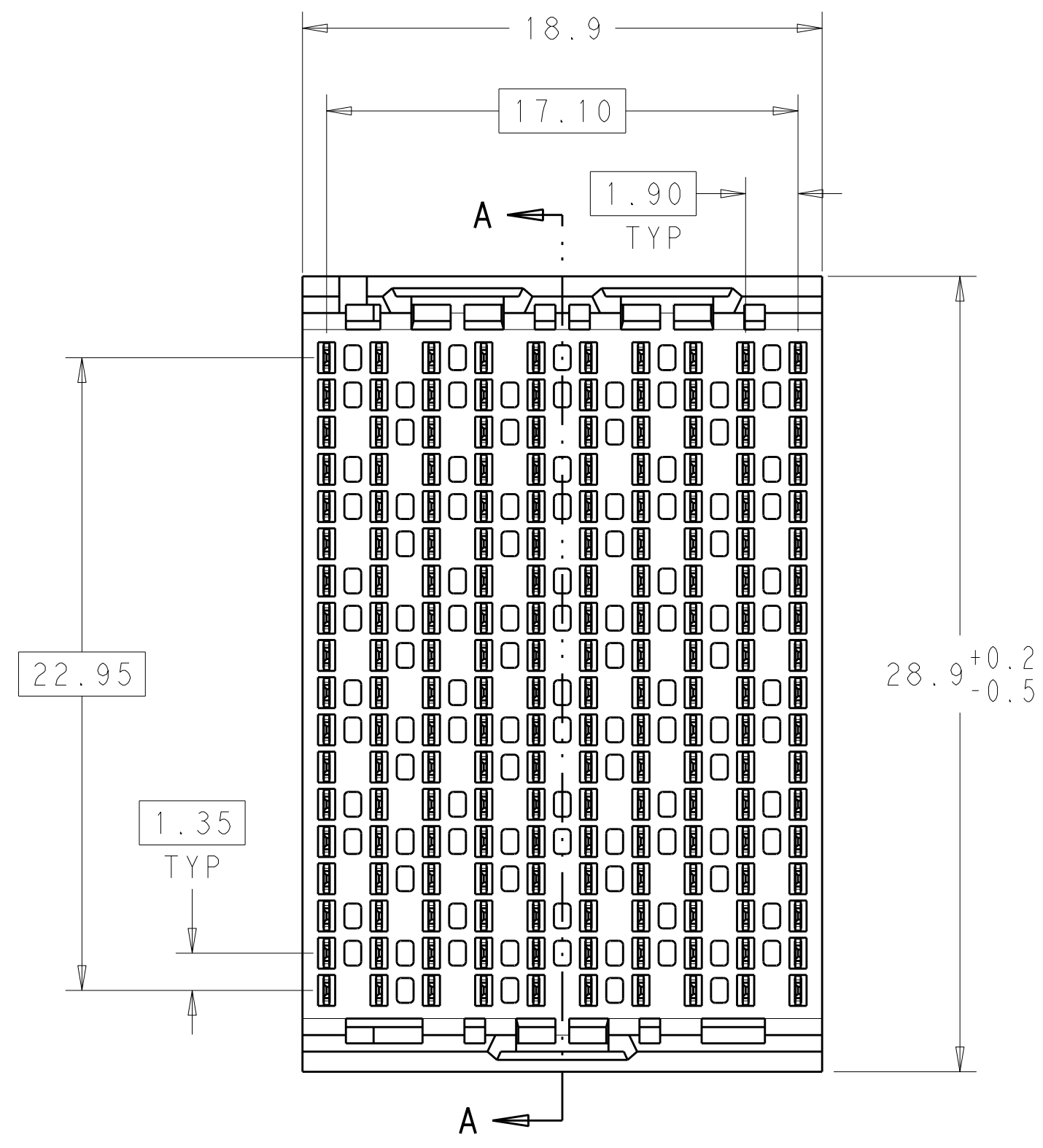
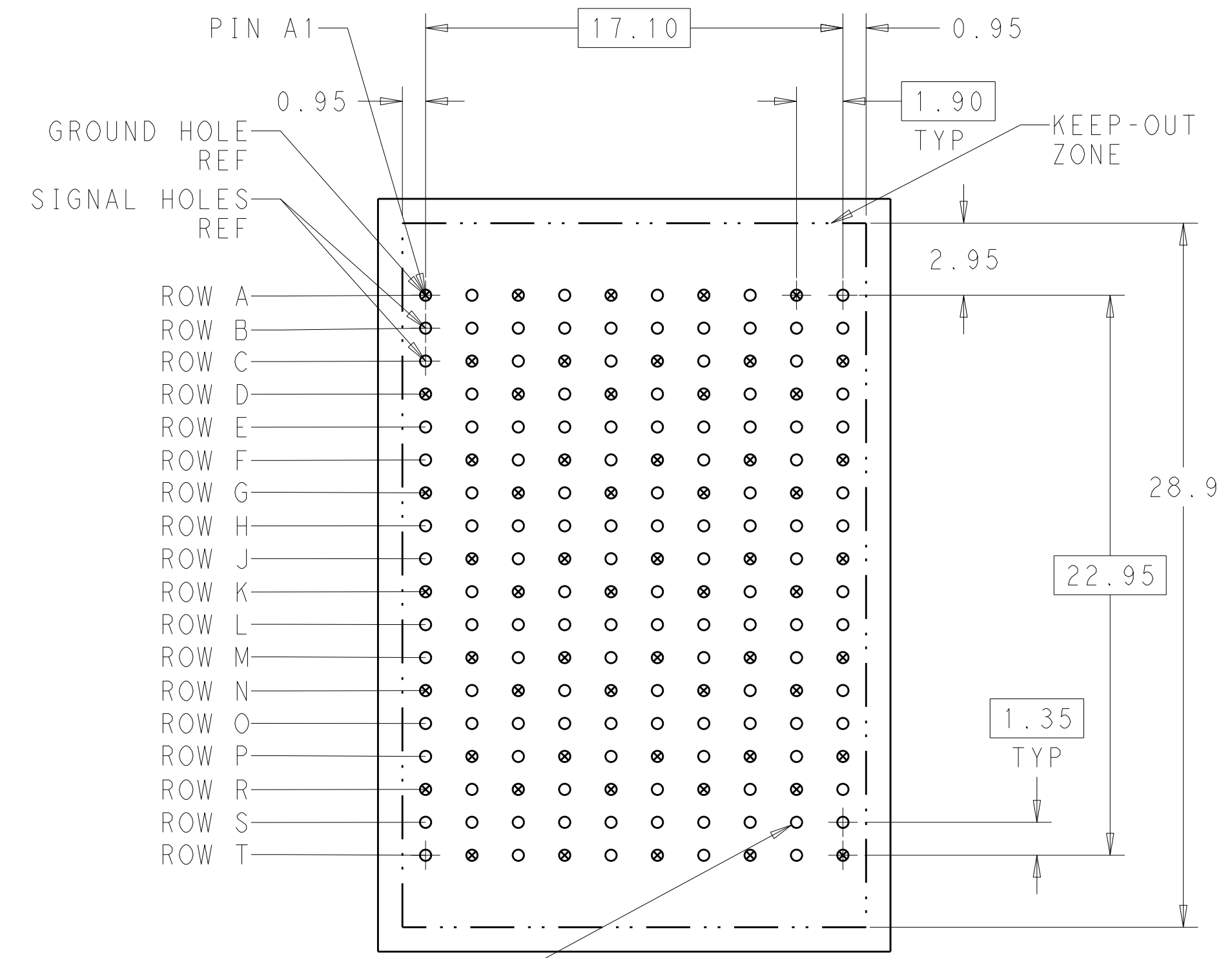


LOC	DIST	REV	DATE	BY	APPD
AD	00	A	02MAY2011	RKC	JE

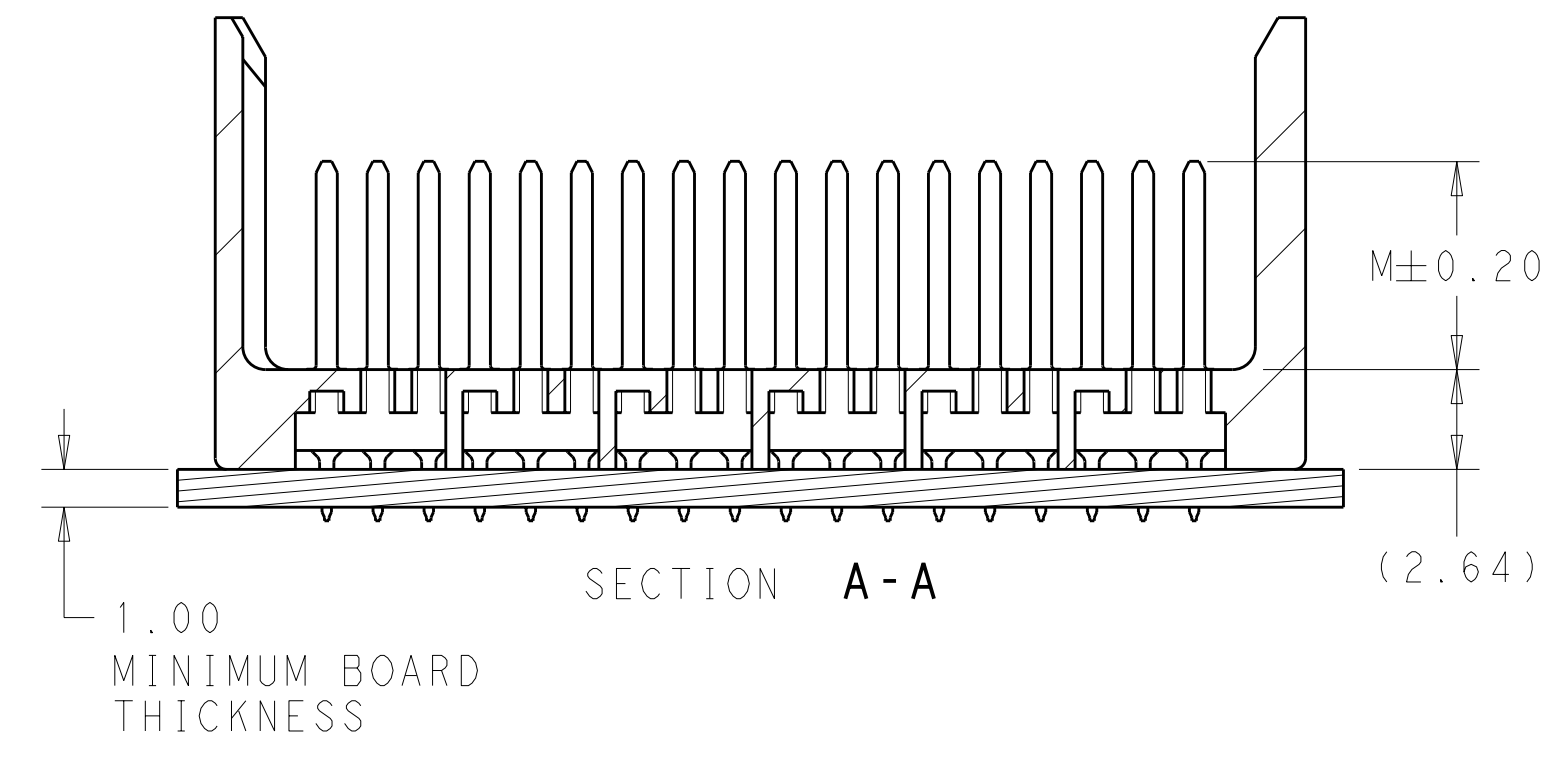
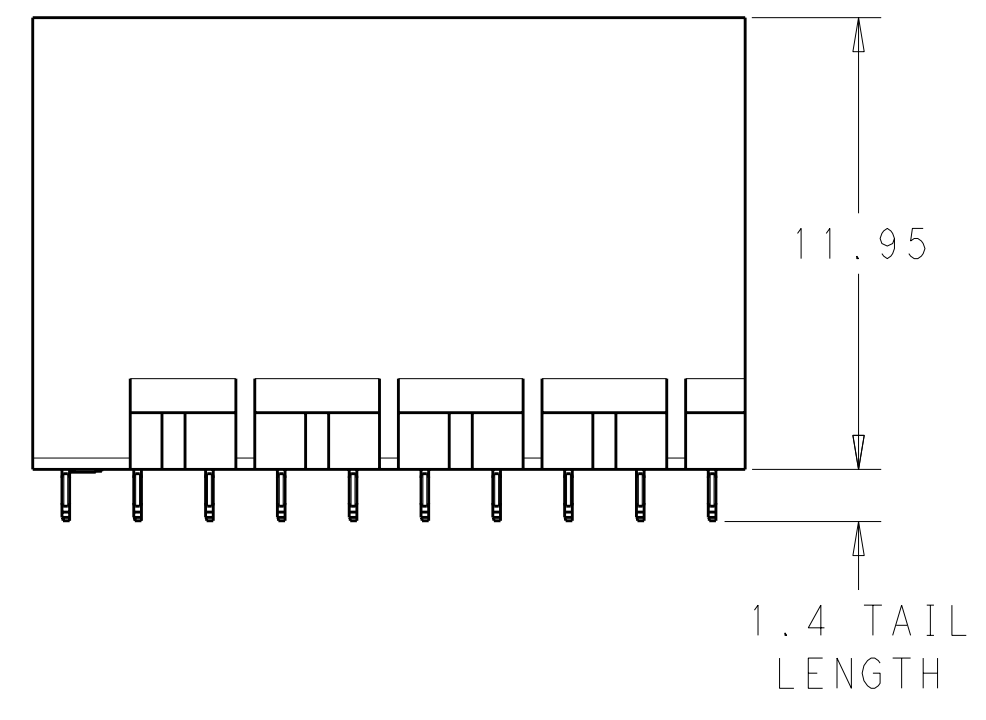


- 1 MATERIAL:
HOUSING: LCP, GLASS FILLED, UL94V-0.
TERMINALS: HIGH PERFORMANCE COPPER ALLOY.
- 2 FINISH:
30µ" MIN GOLD IN CONTACT AREA. SELECTIVE TIN
ON PCB TAILS, NICKEL OVERALL.
- 3 FINISH:
30µ" MIN GOLD IN CONTACT AREA. SELECTIVE TIN-LEAD
ON PCB TAILS, NICKEL OVERALL.



180X Ø0.46±0.05
 PLATED THRU HOLE

UNGUIDED
 BACKPLANE HOLE PATTERN
 (CONNECTOR SIDE)




THIS DRAWING IS A CONTROLLED DOCUMENT.		DWN R. COELLO	02MAY2011	TE Connectivity
DIMENSIONS: mm		CHK J. EBY	02MAY2011	
TOLERANCES UNLESS OTHERWISE SPECIFIED:		APVD J. EBY	02MAY2011	NAME IMPACT, 6 PAIR, 10 COLUMN, HEADER UNGUIDED, OPEN END WALL SIGNAL MODULE, 0.46 PTH
0 PLC ± 1 PLC ±0.25 2 PLC ±0.13 3 PLC ± 4 PLC ± ANGLES ±		PRODUCT SPEC		SIZE CAGE CODE DRAWING NO. RESTRICTED TO
MATERIAL		APPLICATION SPEC		A1100779C=2007880
FINISH SEE TABLE		WEIGHT		SCALE 5:1 SHEET 1 OF 2 REV A
CUSTOMER DRAWING				

THIS DRAWING IS UNPUBLISHED. RELEASED FOR PUBLICATION 20
 BY: ALL RIGHTS RESERVED.

LOC	DIST	REVISIONS			
		REV	DATE	BY	APPD
AD	00	-	-	-	-
		-	-	-	-
		-	-	-	-
		-	-	-	-

FINISH	DIM M	PART NUMBER
\triangle_3	5.5	2007880-6
\triangle_3	4.9	2007880-5
\triangle_3	4.5	2007880-4
\triangle_2	5.5	2007880-3
\triangle_2	4.9	2007880-2
\triangle_2	4.5	2007880-1

REFER TO WWW.TE.COM
FOR PRODUCT AVAILABILITY

THIS DRAWING IS A CONTROLLED DOCUMENT.		DWN R. COELLO 02MAY2011	 TE Connectivity
DIMENSIONS: mm		CHK J. EABY 02MAY2011	
TOLERANCES UNLESS OTHERWISE SPECIFIED:		APVD J. EABY 02MAY2011	NAME IMPACT, 6 PAIR, 10 COLUMN, HEADER
9 PLC ±		PRODUCT SPEC	UNGUIDED, OPEN END WALL
1 PLC ±0.25		APPLICATION SPEC	SIGNAL MODULE, 0.46 PTH
2 PLC ±0.13		WEIGHT	SIZE CAGE CODE DRAWING NO RESTRICTED TO
3 PLC ±		CUSTOMER DRAWING	A100779C=2007880
4 PLC ±		SCALE 5:1	SHEET 2 OF 2
ANGLES ±		REV A	
FINISH SEE TABLE			