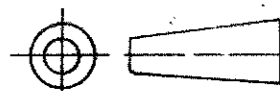


REVISIONS				
LTR.	DESCRIPTION	DATE	DWN	APRD
E	ECR-06-012362	23-05-06	BM	JB

DO NOT SCALE

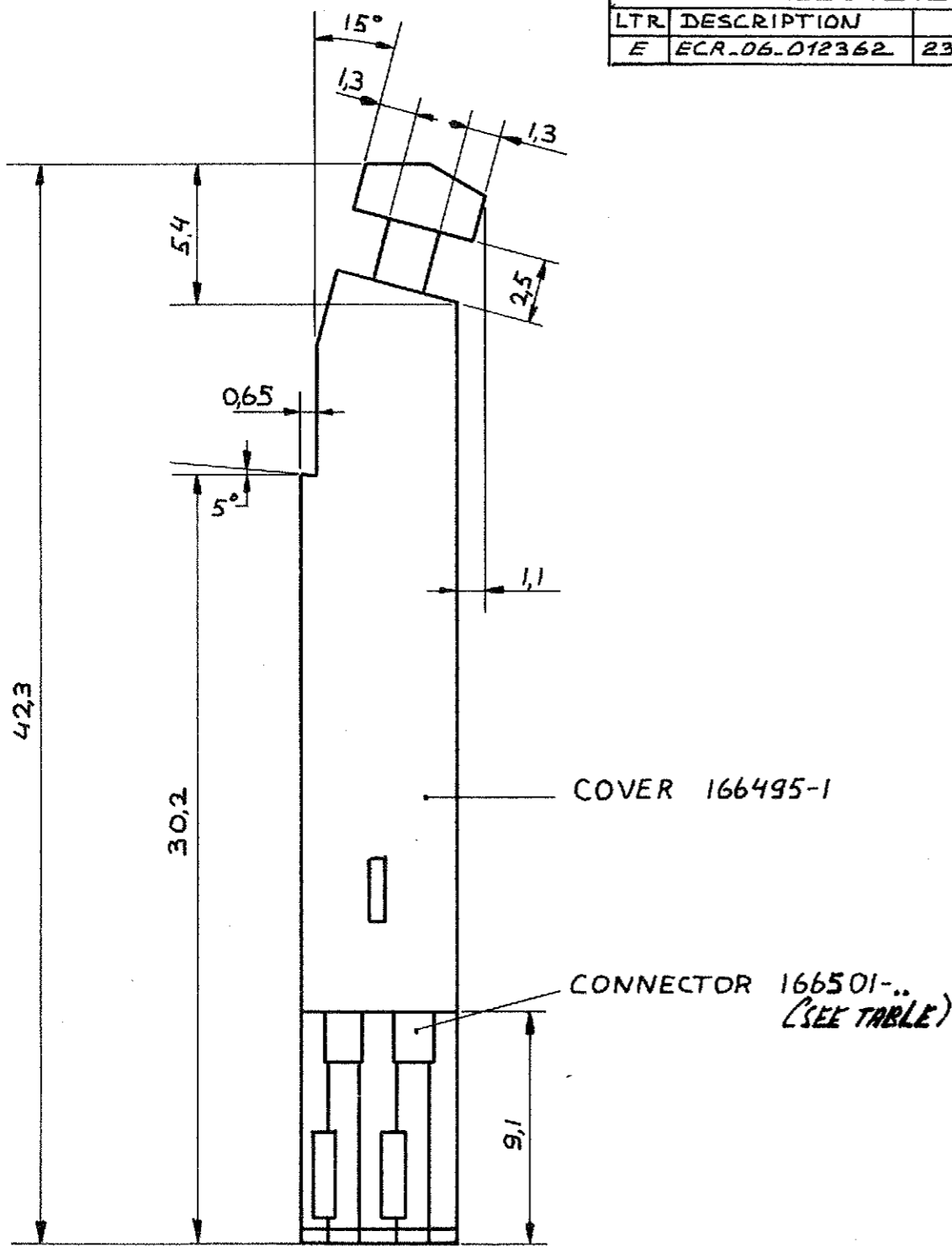
METRIC

THIRD ANGLE PROJECTION



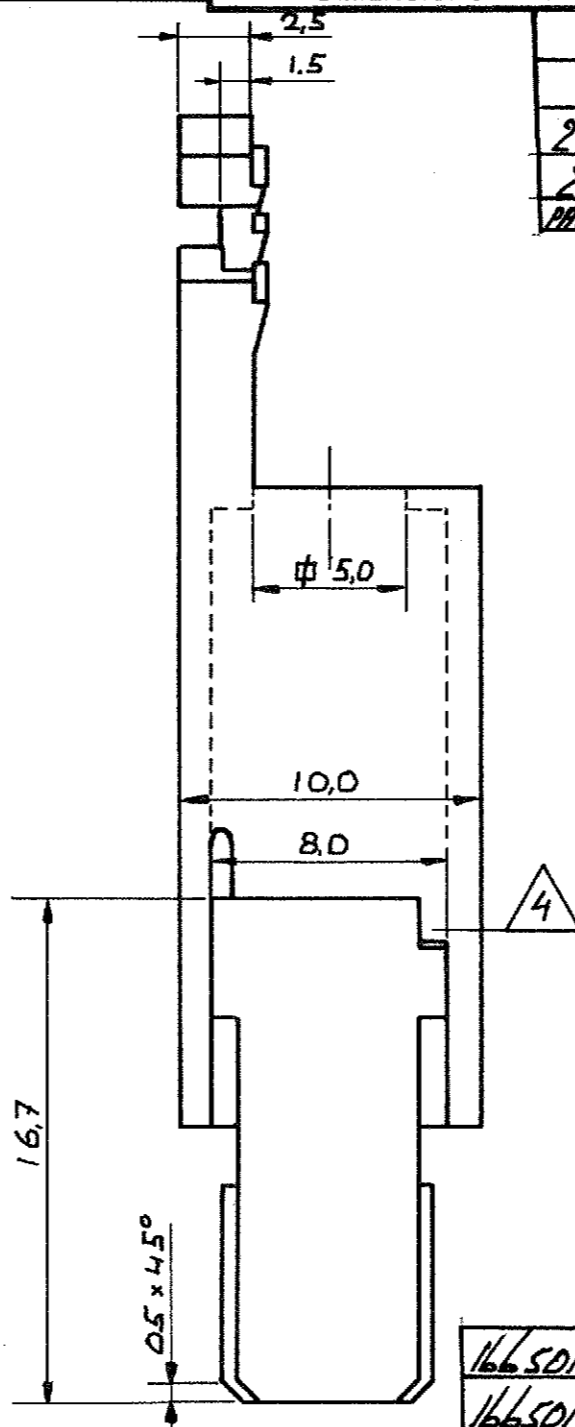
DIMENSIONS IN mm

PARTNUMBER CONNECTOR	FINISH	MATERIAL	PARTNUMBER
166501-1	SEE NOTE 16	SEE NOTE 2	167234-3
166501-4	SEE NOTE 16	SEE NOTE 2	167234-2
2-166501-5	SAME AS -5		2-167234-5
2-166501-6	SAME AS -6		2-167234-6



COVER 166495-1

CONNECTOR 166501-...
(SEE TABLE)



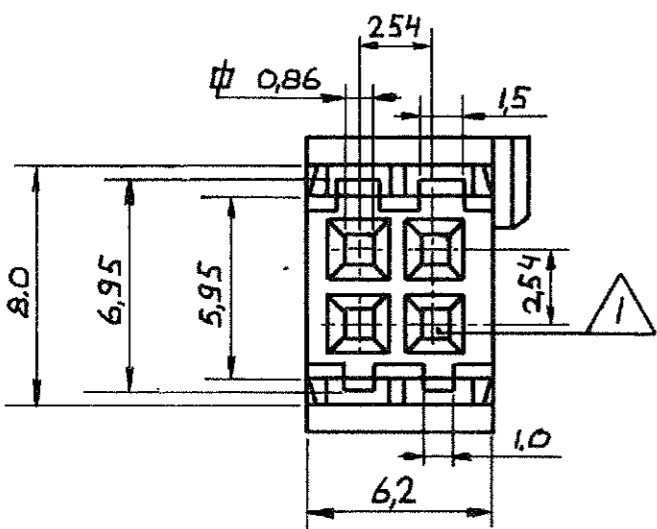
NOTES:

- 16 PLATING CONTACTS SAME AS -1, ONLY 0.8 μm Au.
- 17 PLATING CONTACTS SAME AS -1, ONLY 1.25 μm Au.

NOTES

- 1 ALL CAVITIES LOADED WITH CONTACTS.
- 2 MATERIALS:
HOUSING: THERMO PLASTIC POLYESTER GLASSFILLED, COLOUR: GREY
COVER: THERMO PLASTIC POLYESTER GLASSFILLED, COLOUR: BLACK
CONTACT: PHOSPHOR BRONZE.
- 3 CONTACT AREA: 20 μm GOLD OVER 1.25 μm Ni
TERMINATION AREA: TIN
- 4 TWO POLARISING OPENINGS FOR COVER. ONLY IN OUTER WALLS AT SIDE OF NARROW RIBS ONLY
- 5 PLATING CONTACTS SAME AS -1, ONLY 1.3 μm Au OVER 1.25 μm Ni.
- 6 PLATING CONTACTS SAME AS -1, ONLY 10 μm Au OVER 1.25 μm Ni.
- 7 CONNECTOR PRINTED WITH DATE CODE, WIRE SIZE AND GOLD PLATING THICKNESS.

PARTNUMBER CONNECTOR	FINISH	MATERIAL	PART NUMBER
166501-6	SEE NOTE 16	SEE NOTE 2	167234-6
166501-5	SEE NOTE 16	SEE NOTE 2	167234-5
166501-2	SEE NOTE 16	SEE NOTE 2	167234-1



CUSTOMER DRAWING FOR REFERENCE ONLY WILL NOT BE UPDATED	AMP		AMP-HOLLAND B.V. 's-Hertogenbosch, The Netherlands	
	THIS DRAWING IS UNPUBLISHED		RELEASED FOR PUBLICATION	
© COPYRIGHT 19 BY AMP-HOLLAND B.V. ALL INTERNATIONAL RIGHTS RESERVED. AMP PRODUCTS MAY BE COVERED BY U.S. AND FOREIGN PATENTS AND/OR PATENTS PENDING.				
DR. M.VAES 23-9-82	WIRE RANGE AWG 26-22	NAME 2x2 POS CABLE CONNECTOR		REV. DATE D M Y
CHK. [Signature] 30/9-82	INSUL. RANGE	KIT ASSEMBLY		23 05 06
APP. [Signature] 5-10-82	SIZE A3	SHEET OF	DRAWING NO C-167234	REV. LTR. E