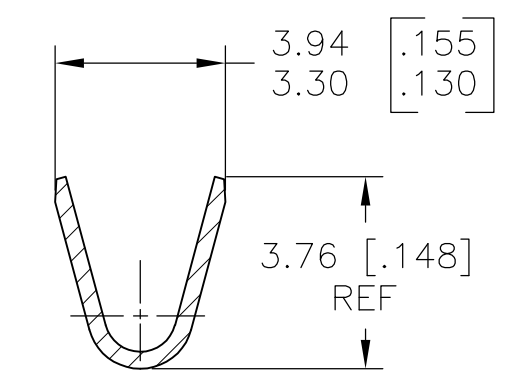
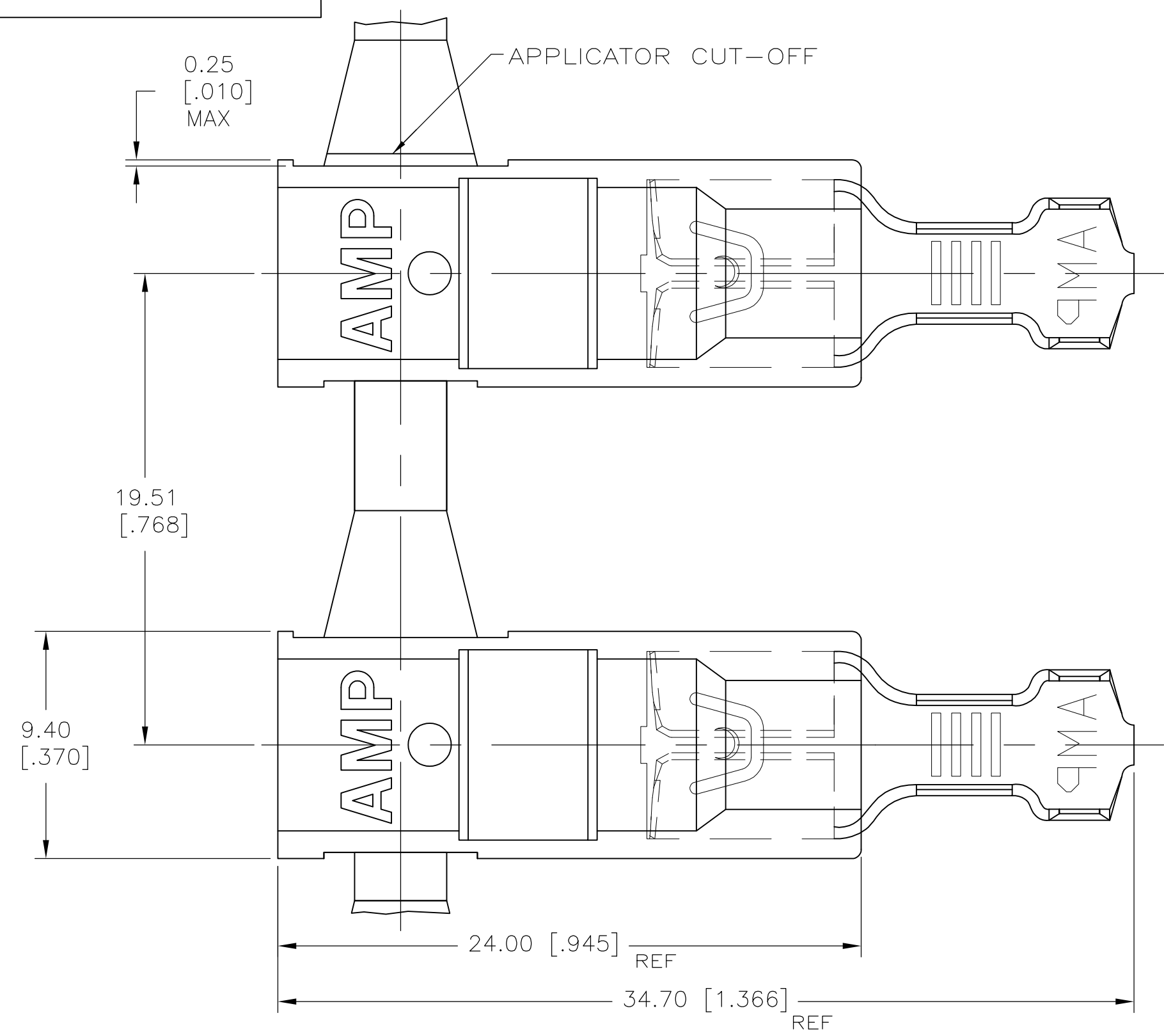
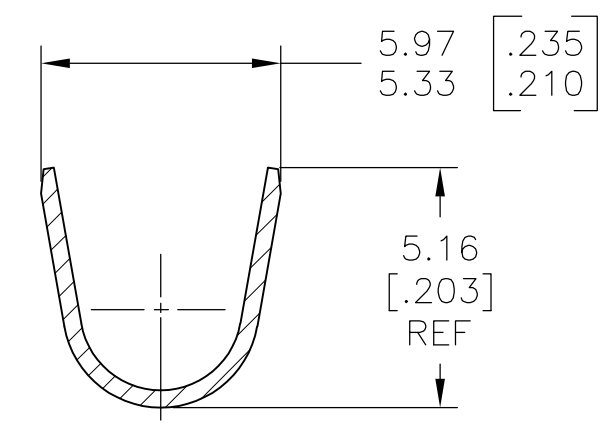
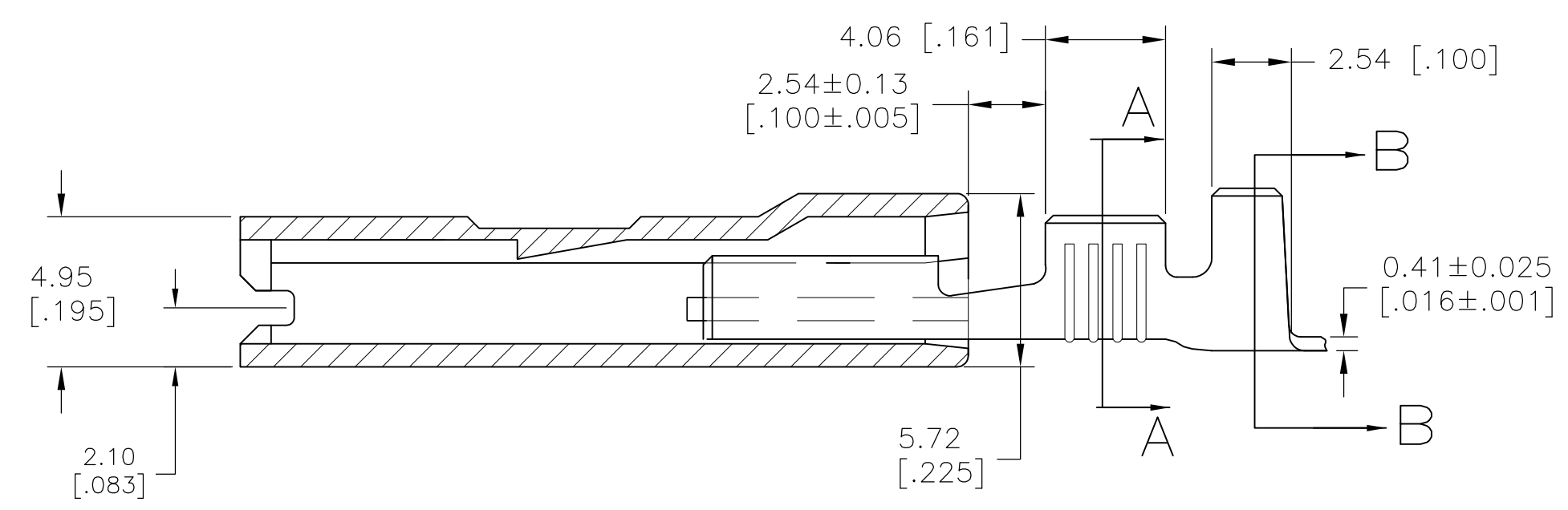


THIS DRAWING IS UNPUBLISHED. RELEASED FOR PUBLICATION  
 © COPYRIGHT - By - ALL RIGHTS RESERVED.

LOC	DIST	REVISIONS			
P	LTR	DESCRIPTION	DATE	DWN	APVD
AF	50	A1	RELEASED PER ECO 13-019833	18DEC13	JR PD



SECTION A-A



SECTION B-B

- 1 LOW-INSERTION FASTON TERMINAL, BASE P/N 1742198-2, IS USED IN THIS PRODUCT.
- 2 MATING TAB THK IS 0.813±0.025 [.032±.001].
- 3 WIRE SIZE IS 0.8-2.0mm<sup>2</sup> [18-14] AWG.
- 4 INSULATION RANGE IS 3.05-4.32 [.120-.170] DIA.

STANDARD	VO NYLON 66, 150°C NATURAL (WHITE)	H02 STEEL / 0.00381 [.000150] MIN NICKEL	1969447-1													
PACKAGING	HOUSING	TERMINAL	PART NO													
	MATERIAL / FINISH															
THIS DRAWING IS A CONTROLLED DOCUMENT.		DWN 19JUL11 JR RUTH														
DIMENSIONS: mm [INCHES]		CHK 19JUL11 RAY LANDON														
TOLERANCES UNLESS OTHERWISE SPECIFIED:		APVD 19JUL11 RAY LANDON														
<table border="1"> <tr><td>0 PLC</td><td>± -</td></tr> <tr><td>1 PLC</td><td>± -</td></tr> <tr><td>2 PLC</td><td>± -</td></tr> <tr><td>3 PLC</td><td>± 0.25 [.010]</td></tr> <tr><td>4 PLC</td><td>± -</td></tr> <tr><td>ANGLES</td><td>± -</td></tr> <tr><td>FINISH</td><td>± -</td></tr> </table>		0 PLC		± -	1 PLC	± -	2 PLC	± -	3 PLC	± 0.25 [.010]	4 PLC	± -	ANGLES	± -	FINISH	± -
0 PLC	± -															
1 PLC	± -															
2 PLC	± -															
3 PLC	± 0.25 [.010]															
4 PLC	± -															
ANGLES	± -															
FINISH	± -															
MATERIAL	SEE TABLE	APPLICATION SPEC	NAME													
MATERIAL		WEIGHT	SIZE													
SEE TABLE		FINISH	CAGE CODE													
SEE TABLE		WEIGHT	DRAWING NO													
SEE TABLE		WEIGHT	RESTRICTED TO													
SEE TABLE		CUSTOMER DRAWING	SCALE 5:1 SHEET 1 OF 1 REV A1													

1969447