

# EDM2-WIZARD



## Main Features

- The official EDM type 2 Evaluation Carrier Board brings you a rich variety of interfaces and options at your fingertips.
- Wide range of jumper selectable audio, video and touch interfaces.
- Optional smart battery pack implementation.



Power 5 VDC	LAN	LVDS	HDMI	PCIe x4	SATA 2 <sup>nd</sup>	LPC	HDA	SPDIF	CANBus x2	SD	SPI x2	UART x2	Buttons + GPIO	RSVD
		LVDS	HDMI	PCIe x2	SATA 1 <sup>st</sup>	USB OTG	USB Host	I <sup>2</sup> S 1 <sup>st</sup>				I <sup>2</sup> C x2		

## Specifications

### Core System

System on Module EDM Type 2 compliant

### Expansion

Expansion Slots  
2x mini-PCIe + SIM cardslot (for 3G communication)  
1x PCIe x1 expansion slot (shared with mini-PCIe)  
1x PCIe x4 expansion slot

### I/O Interfaces

Connector  
2x SATA  
1x SD cardslot (SDIO)  
1x Gigabit LAN  
2x USB 3.0 Host  
1x micro USB 3.0 / 2.0 OTG  
1x UART (RS-232/422/485)  
2x CAN Bus

Header  
1x UART (RS-232/422/485)  
2x SPI  
8x GPIO (shared with buttons)  
2x I<sup>2</sup>C  
Manufacturing pins

### Video

Connector  
2x HDMI  
2 channel LVDS 18/24 bit

### Audio

Codec  
Jumper selectable:  
Freescale SGTL5000 (I2S),  
TI TLV320AIC23B (I2S)  
Realtek ALC892-CG (HDA)

Connector  
5x 3.5 mm jack Surround audio  
S/PDIF

Speaker  
2W amplified speaker connectors

### Touch

Controller  
Jumper selectable:  
TSC2046 (4 wire by SPI)  
TSC2004 (4 wire by I2C)  
ADS7845 (5 wire by SPI)

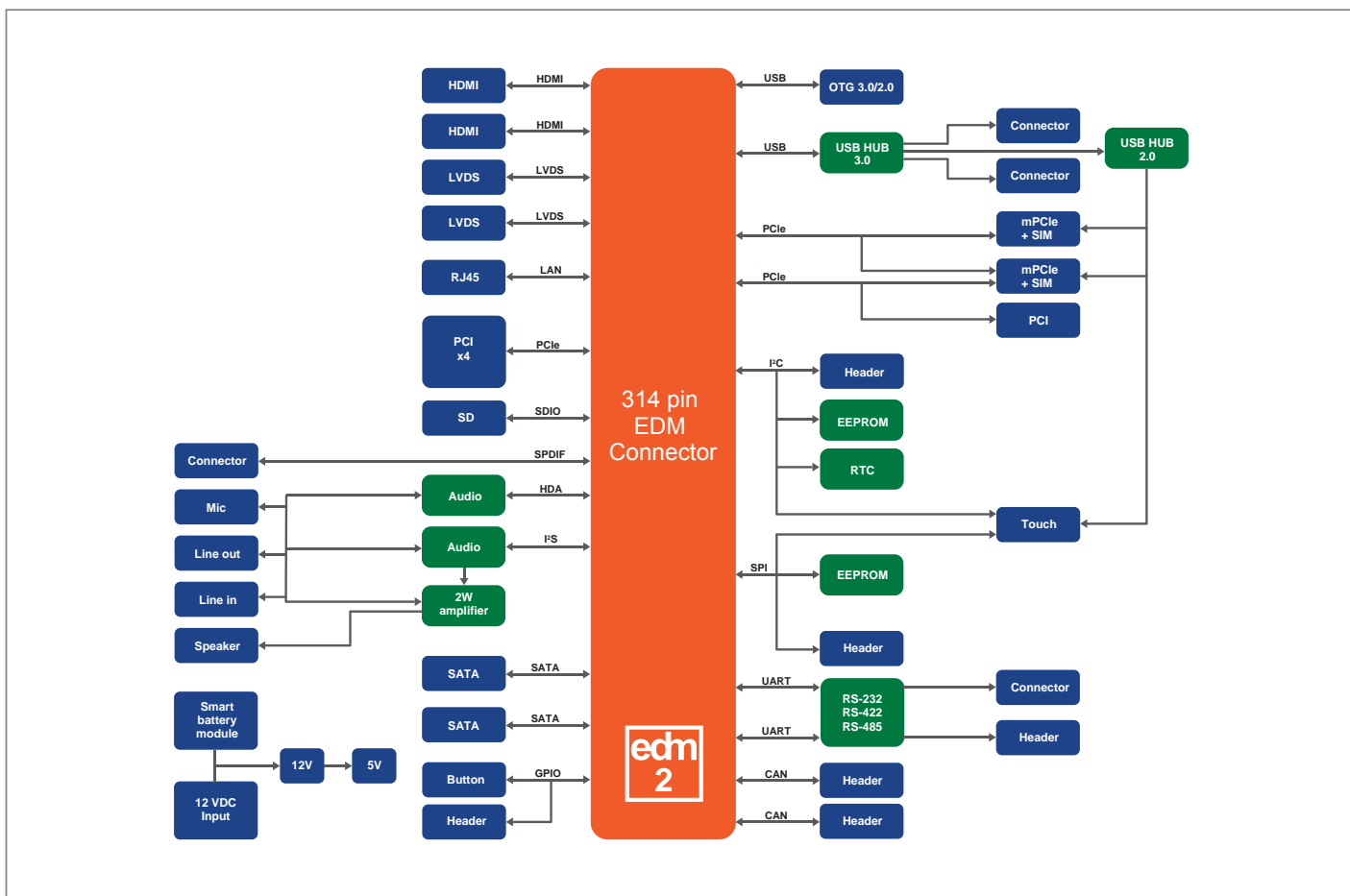
Connector  
USB 4/5 wire touch controller  
4 wire touchpanel (USB/I2C/SPI)  
5 wire touchpanel (USB/SPI)

### Power Specifications

Input Power  
10~30 VDC

Battery  
Smart battery connector

## Block Diagram



## Environmental and Mechanical

Temperature	Commercial : 0° to 60° C
Humidity	10 to 90%
Module Connector	314 pins MXM3
Form Factor	MicroATX Form Factor
Dimensions	244 x 244 mm 9 <sup>5</sup> / <sub>8</sub> x 9 <sup>5</sup> / <sub>8</sub> inch
MTBF	>100,000 hours
Weight	380 grams
Shock	50G / 25ms
Vibration	20G / 0-600 Hz

## Ordering Information

### EDM2-WIZARD

MicroATX Form Factor Wizard Carrier Board for EDM Type 2 System on Modules

### EDM2-WIZARD-START

MicroATX Form Factor Wizard Carrier Board for EDM Type 2 System on Modules including cablekit and adaptor

\* Feel free to contact us for custom tailored Carrier Board request for your projects.

## Dimensions

(units in mm)

