

NOTES:

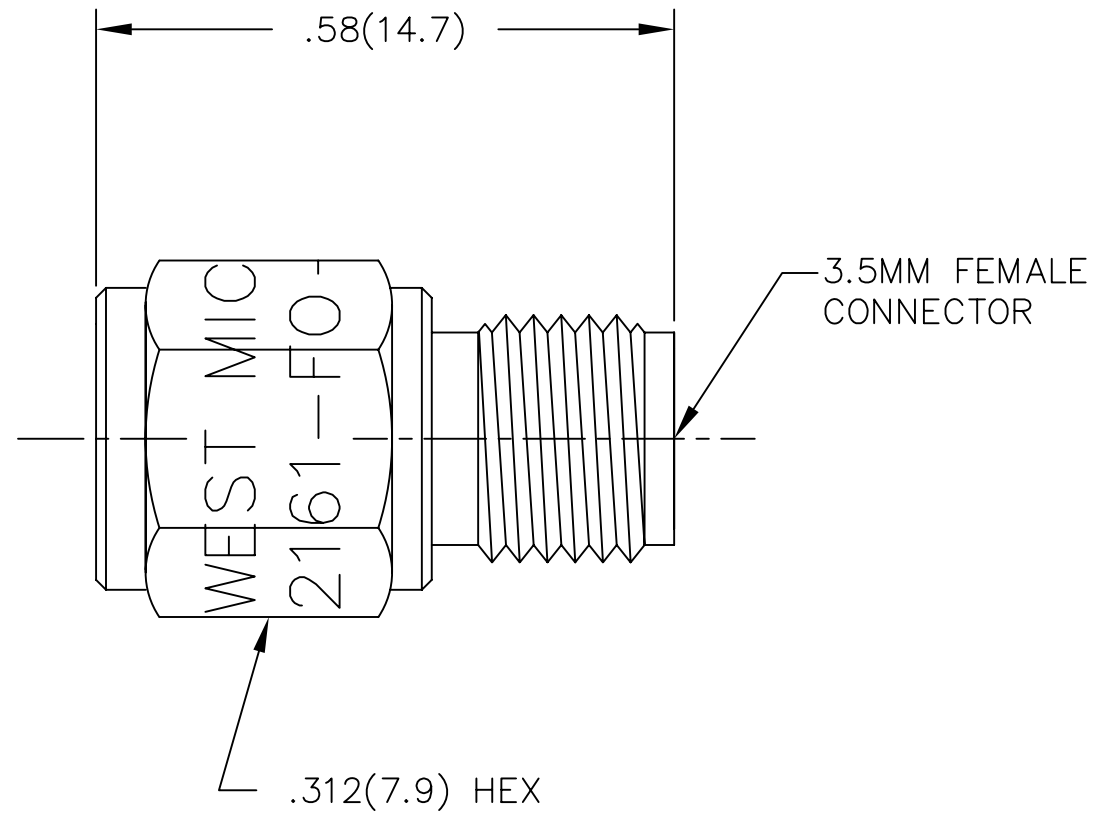
1.0 ELECTRICAL SPECIFICATIONS:

- 1.1 FREQUENCY RANGE: DC to 18.0 GHz
- 1.2 VSWR: 1.12:1 MAX.
- 1.3 MAXIMUM INPUT POWER: 2 WATTS AVG. @ +25°C  
DERATED LINEARLY TO 1 WATT @ +125°C
- 1.4 OPERATING TEMP. RANGE:  
-65°C to +125°C

2.0 MARKING:

MARK UNIT AS SHOWN  
(REF: INK-02639-27-23)

3.0 DIMENSIONS IN PARENTHESIS ARE MILLIMETERS.



DWG NO. WAS: 06847-01-00

REV.	DESCRIPTION	DATE
-	RELEASED	8/12/92
A	ECR 6545	8/1/89
B	ECN 11948	8/6/92
C	ECN 12132	10/16/92
D	ECN 12390	2/1/93
D1	ADDED TITLEBLOCK	11/9/05

UNLESS OTHERWISE NOTED DIMENSIONS ARE IN INCHES AND TOLERANCES ARE:  3 PLACE DECIMALS ±.005 2 PLACE DECIMALS ±.02 FRACTIONS ±1/64 PARALLELITY: T.I.R. _____ FLATNESS: T.I.R. _____ CONCENTRICITY: T.I.R. _____ ANGLES AND PERPENDICULARITY: ±1°	FSCM NO. <b>34078</b>	<b>MIDWEST MICROWAVE</b>		
	NOTICE: The information contained in this drawing is proprietary and must not be used without the permission of Midwest Microwave		TITLE TERMINATION	
	DRAWN/DATE A.BEATTY 8/6/92	ENG./DATE G.KOZAK 8/7/92	DRAWING NUMBER TRM-2161-FO-35M-02	
	CHECKED/DATE M.HOLLMAN 8/7/92	APPROVED/DATE	SCALE: 5=1	SHEET 1 of 1

MODEL NUMBER  
TRM-2161-FO-35M-02  
REV.  
D1