

4

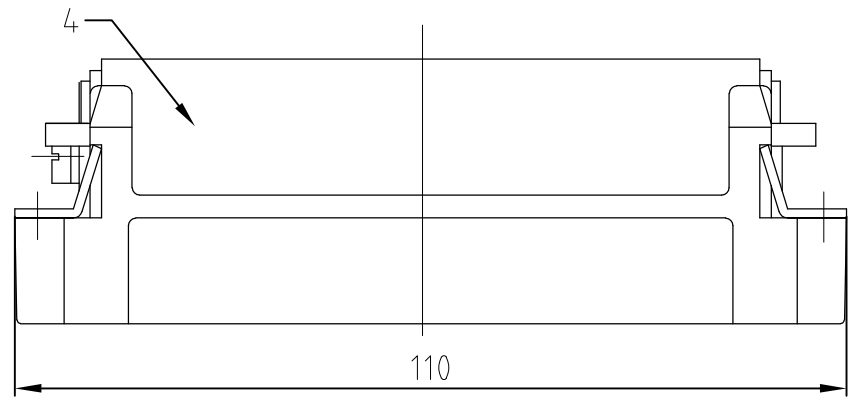
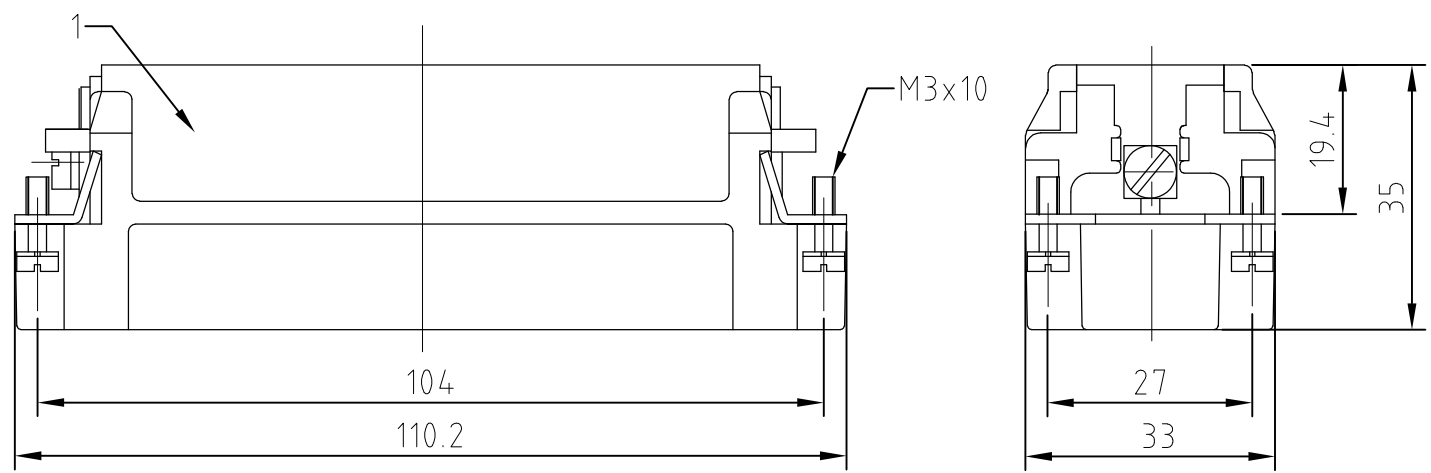
3

2

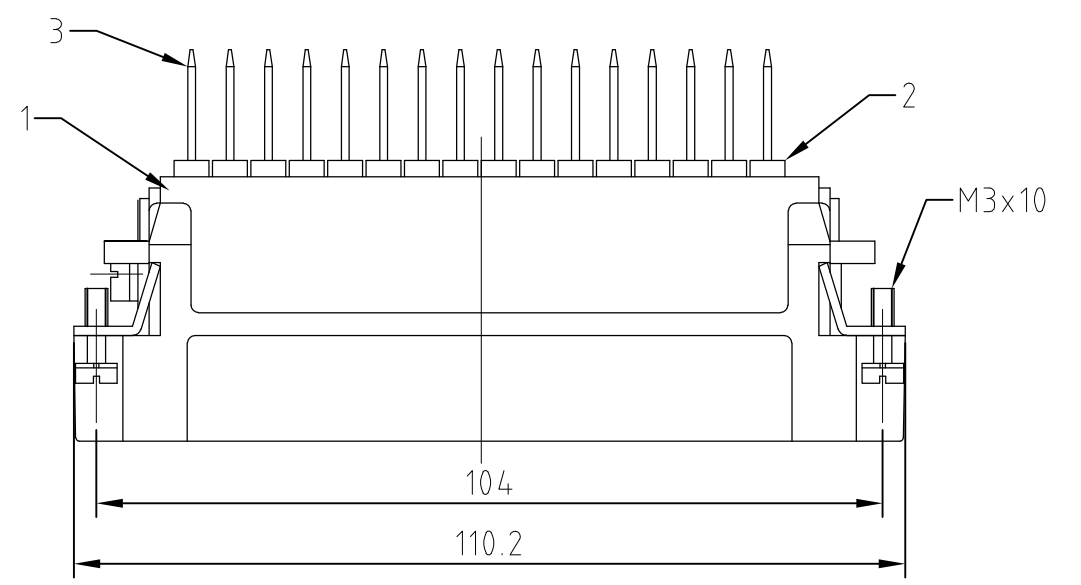
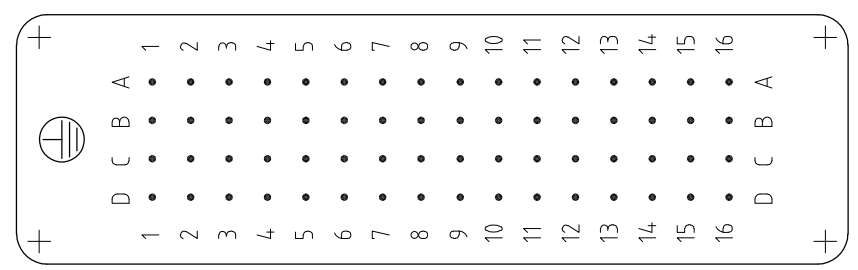
1

THIS DRAWING IS UNPUBLISHED. RELEASED FOR PUBLICATION  
 © COPYRIGHT BY TYCO ELECTRONICS CORPORATION. ALL INTERNATIONAL RIGHTS RESERVED.

LOC	DIST	REVISIONS					
		P	LTR	DESCRIPTION	DATE	DWN	APVD
A1	—		B1	Index changed ECR-08-014429	06.06.08	SR	ST
			B2	REVISED PER ECO-11-002591	15FEB11	HMR	MM



**Kontaktanordnung** Ansicht Anschlußseite  
**Contact arrangement** view from termination side



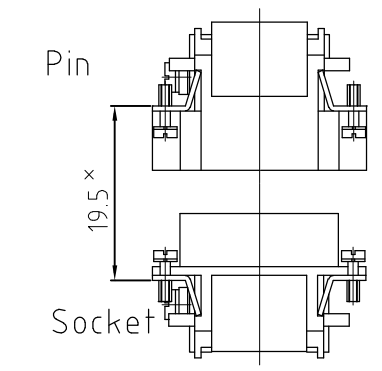
Notes,

- ① Material: insert, PC  
UL-File Nr.: E101788(R)
- ② use contact-type: HD.M

Bemerkungen,

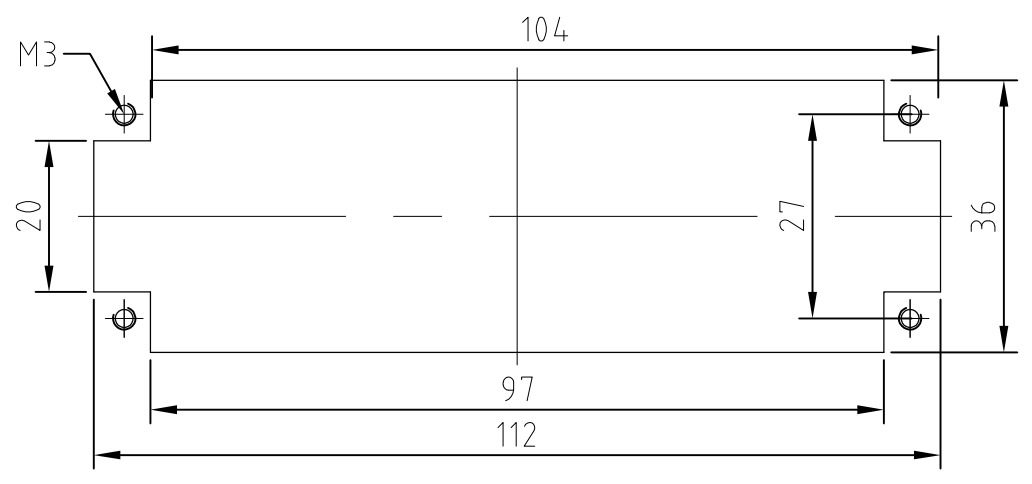
- ① Material: Einsatz: PC  
UL-File Nr.: E101788(R)
- ② Kontakte: Serie HD.M

Assembly reference



x Distance for a safe contact-max: 21 mm

**Montageausschnitt** bei Verwendung ohne Gehäuse  
**Panel cut-out for contact insert** when used without housing



QTY	ITEM NO.	DESCRIPTION / BENENNUNG	MATERIAL	COLOR / FARBE	ITEM NO. POS.	REMARKS / BEMERKUNGEN
1		Stifteinsatz HD/pin insert	①		4	ohne Befestigungsschraube/ without fixing screw
64		Kontaktstift mit Wickelpfosten/conn. pin with wire wrap terminal			3	
8		Deckelplatte/cover tab	①	gray/beige	2	
1	1	Stifteinsatz HD/pin insert	①	gray/beige	1	
0-1	4-1	2-3				

HD.64.Sti.C/OBS HD-WW.64.Sti.C.CW HD.64.Sti.C	ORDERING TEXT / BESTELLTEXT	THIS DRAWING IS A CONTROLLED DOCUMENT.		DWN	Schweiger	18.06.1997	Tyco Electronics Corporation Harrisburg, Pa 17105-3608			
		DIMENSIONS:	TOLERANCES UNLESS OTHERWISE SPECIFIED:	CHK	Kramer	02.06.98		NAME		
		mm	GENERAL TOLERANCES	APVD	—	—		PRODUCT SPEC	MALE INSERT	
			n. ISO 8015 n. ISO 2768 - mH -E n. DIN 16901 - 14.0 0 PLC ± 1 PLC ±- 2 PLC ±- 3 PLC ±- ANGLES ±-	PRODUCT SPEC	108-74002	SIZE		CAGE CODE	DRAWING NO	RESTRICTED TO
MATERIAL	FINISH	APPLICATION SPEC	114-74000	WEIGHT	87g	A3	00779	G-1103032	—	
		CUSTOMER DRAWING		SCALE		1:1	SHEET	1 OF 1	REV	B2