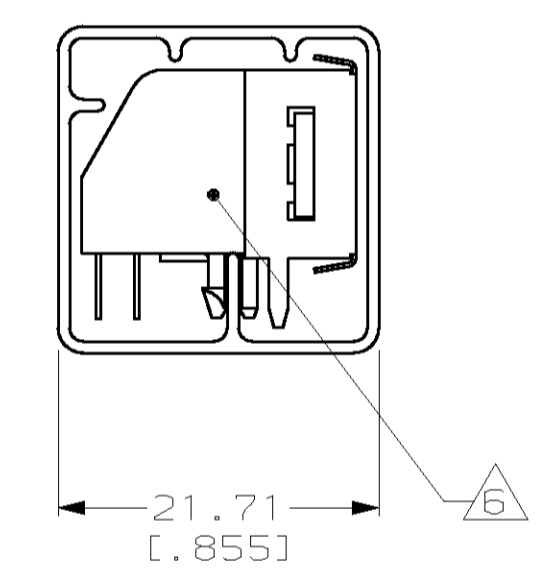
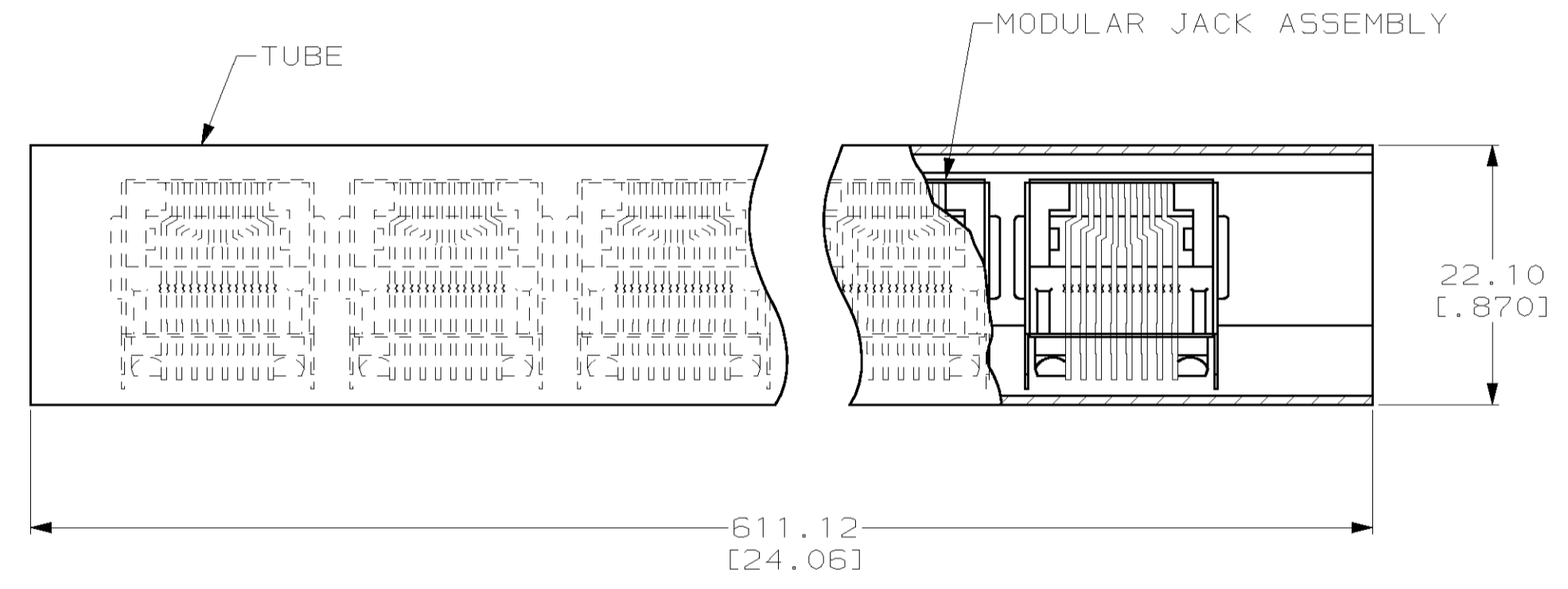
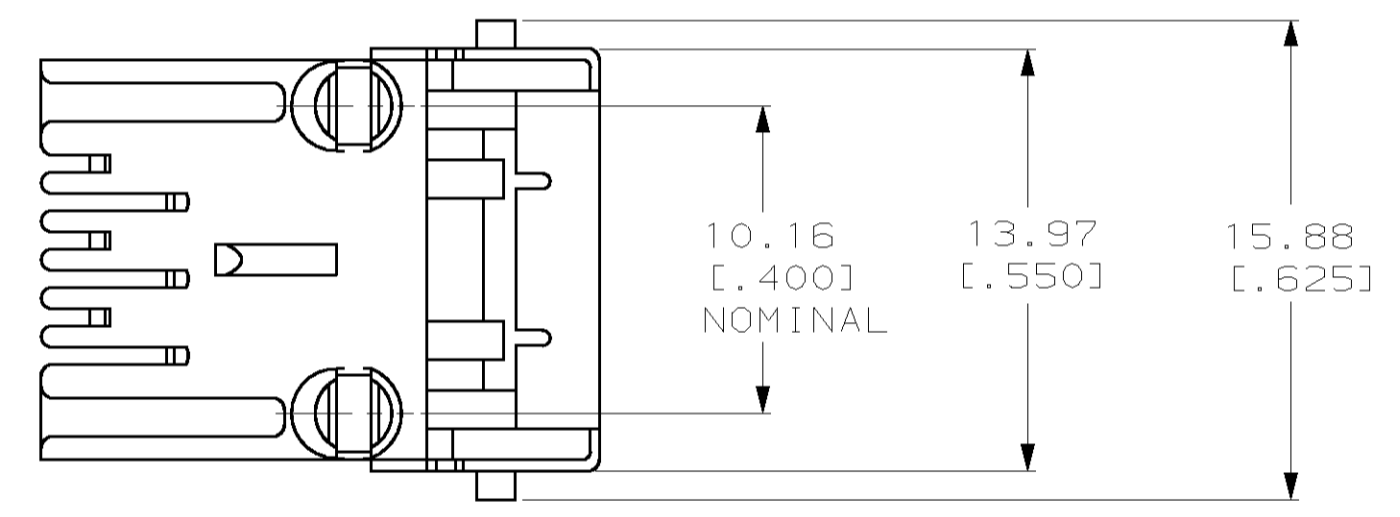
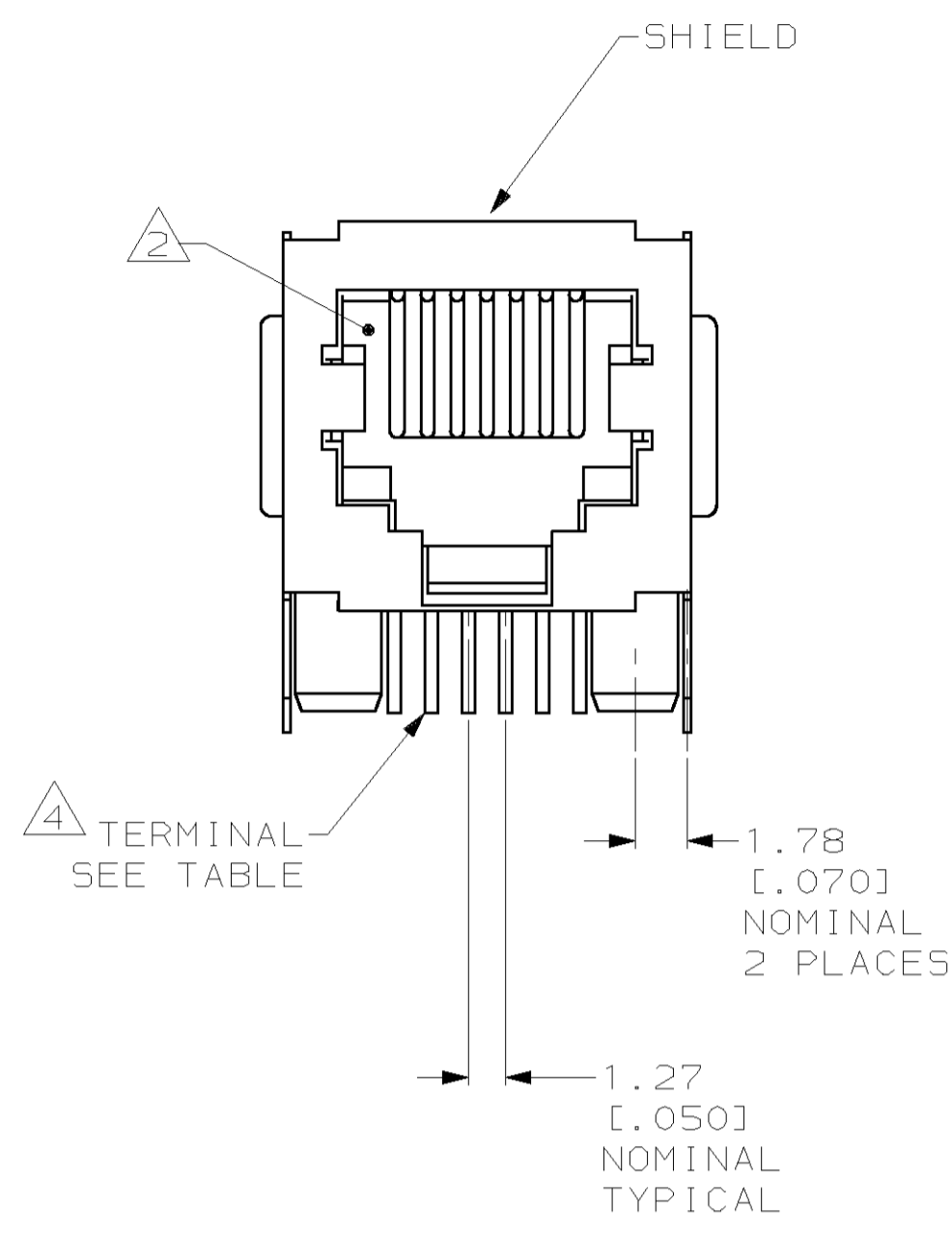
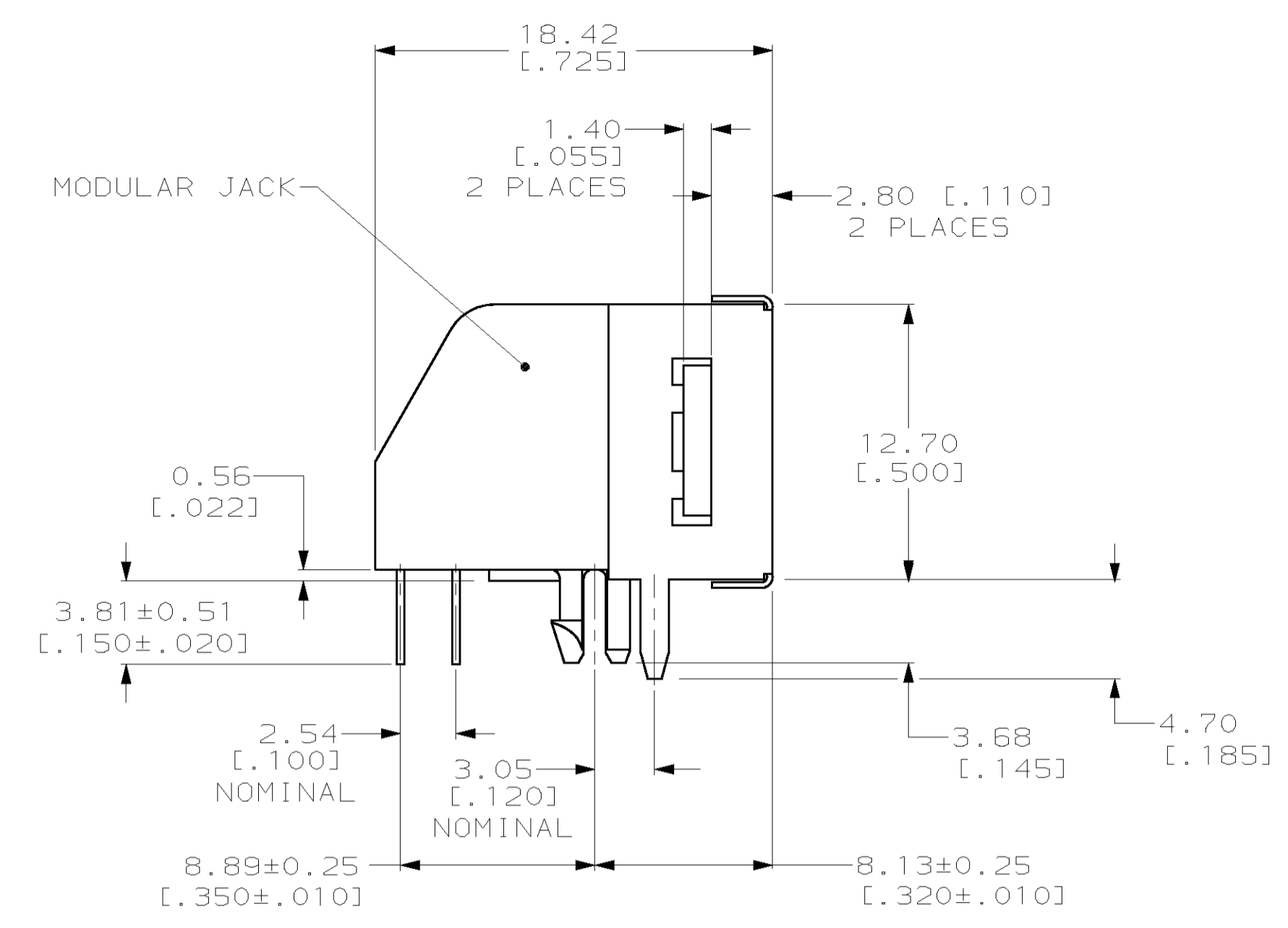
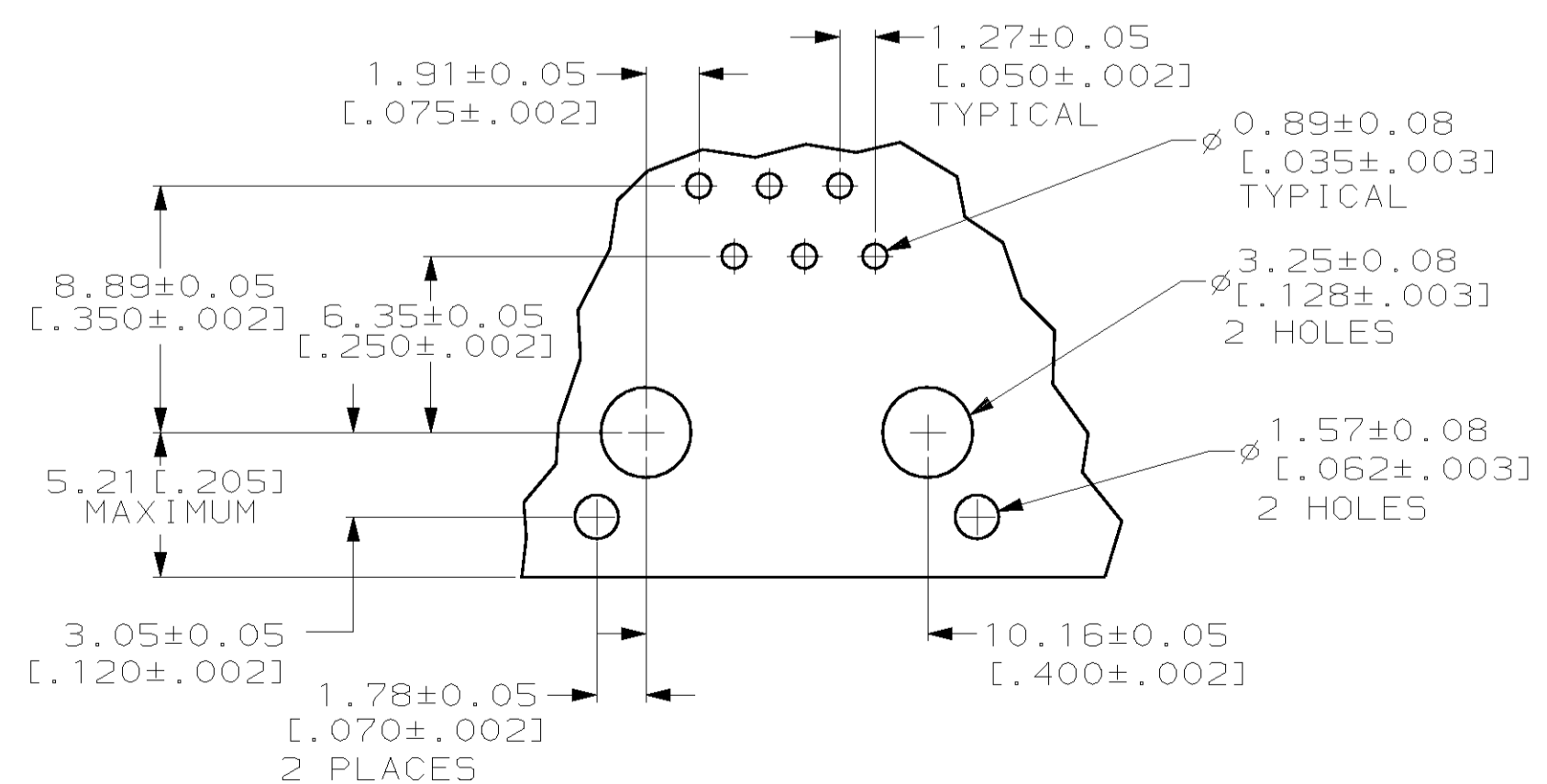


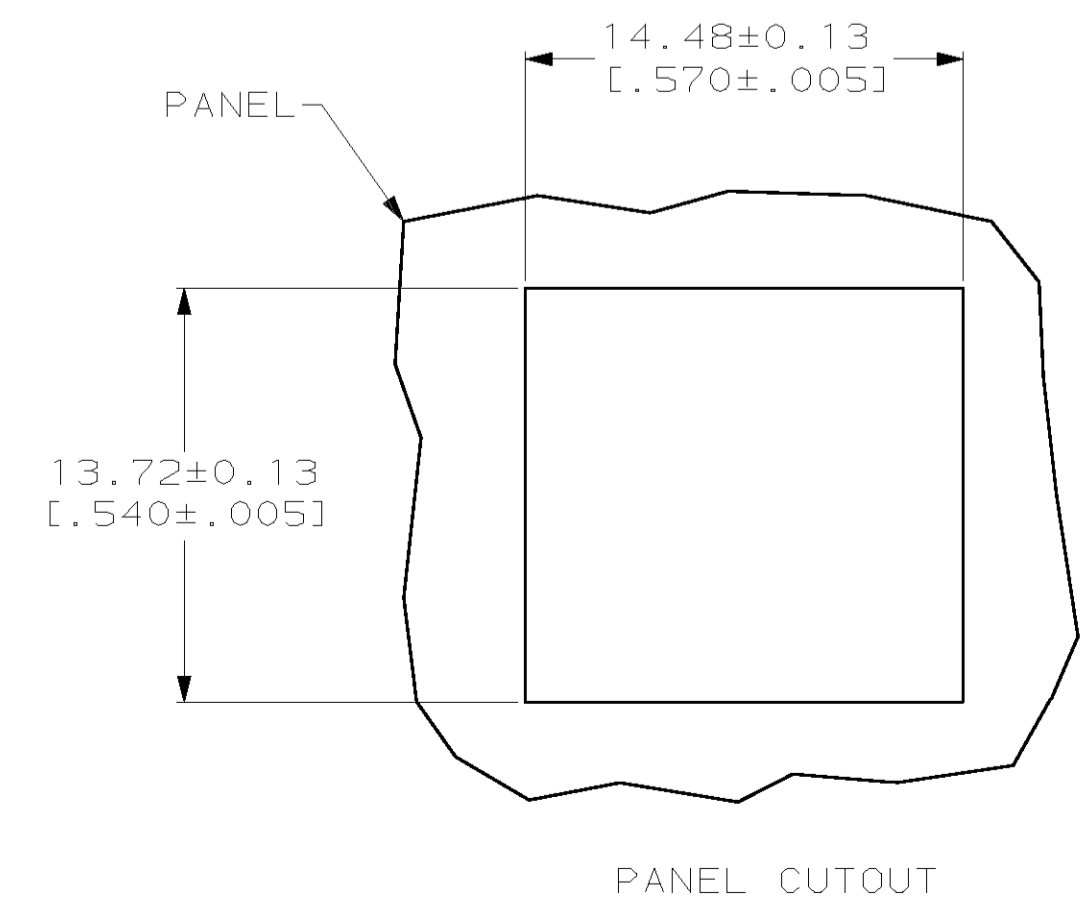
LOC	DIST	REV	DESCRIPTION	DATE	BY	APPV
AA	22	F				
		G	ADDED: -4; NPR M01-008 AND OUI C-0079-01	26FEB01	DLD	CMB



DETAIL A
SCALE 2:1



SUGGESTED PRINTED CIRCUIT BOARD
MOUNTING HOLE LAYOUT
VIEW SHOWN AS COMPONENT SIDE OF BOARD



PANEL CUTOUT

- ⚠ MATERIAL: HOUSING-PBT POLYESTER, BLACK. TERMINAL-.0138 THICK PHOS-BRONZE PLATED WITH .000050 THICK HARD GOLD IN LOCALIZED GOLD PLATE AREA AND .000080 THICK TIN LEAD IN SOLDER AREA OVER .000050 THICK NICKEL UNDERPLATE SHIELD-.010 THICK COPPER ALLOY, TIN-LEAD PLATED.
- ⚠ CAVITY CONFORMS TO FCC RULES AND REGULATIONS PART 68, SUBPART F.
- 3. ALL DIMENSIONS SHOWN ARE MAXIMUM UNLESS OTHERWISE SPECIFIED.
- ⚠ TERMINALS FOR 555154-2 LOCATED IN CENTER POSITIONS.
- ⚠ BULK PACKAGED IN TRAYS.
- ⚠ PACKAGED 36 ASSEMBLIES PER TUBE. SEE DETAIL "A".

PACKAGE	TERMINALS REQUIRED	PART NUMBER
⚠ 6	6	555154-4
⚠ 5	4	555154-2
⚠ 5	6	555154-1

THIS DRAWING IS A CONTROLLED DOCUMENT.

DIMENSIONS: mm [INCHES]	TOLERANCES UNLESS OTHERWISE SPECIFIED:	DWG S. GARRETT 7-13-95	AMP Incorporated Harrisburg, PA 17105-3608
0 PLC ±.01	1 PLC ±.02	CHK N. JONES 8-25-95	NAME J. TONEY 9-01-95
2 PLC ±.03	3 PLC ±.04	PRODUCT SPEC 108-1163	MODULAR JACK ASSEMBLY, SHIELDED, 6 POSITION, LOW PROFILE, RIGHT ANGLE, PRINTED CIRCUIT BOARD GROUND WITH PANEL STOPS
4 PLC ±.05	ANGLES ±.01	APPLICATION SPEC 114-2048	SIZE CAGE CODE DRAWING NO RESTRICTED TO A1 00779 C-555154
MATERIAL	FINISH	WEIGHT	CUSTOMER DRAWING

SCALE 4:1 SHEET 1 OF 1 REV G