

THIS DRAWING IS UNPUBLISHED.

RELEASED FOR PUBLICATION

LOC

DIST

REVISIONS

© COPYRIGHT - By -

ALL RIGHTS RESERVED.

G

14

P

LTR

DESCRIPTION

DATE

DWN

APVD

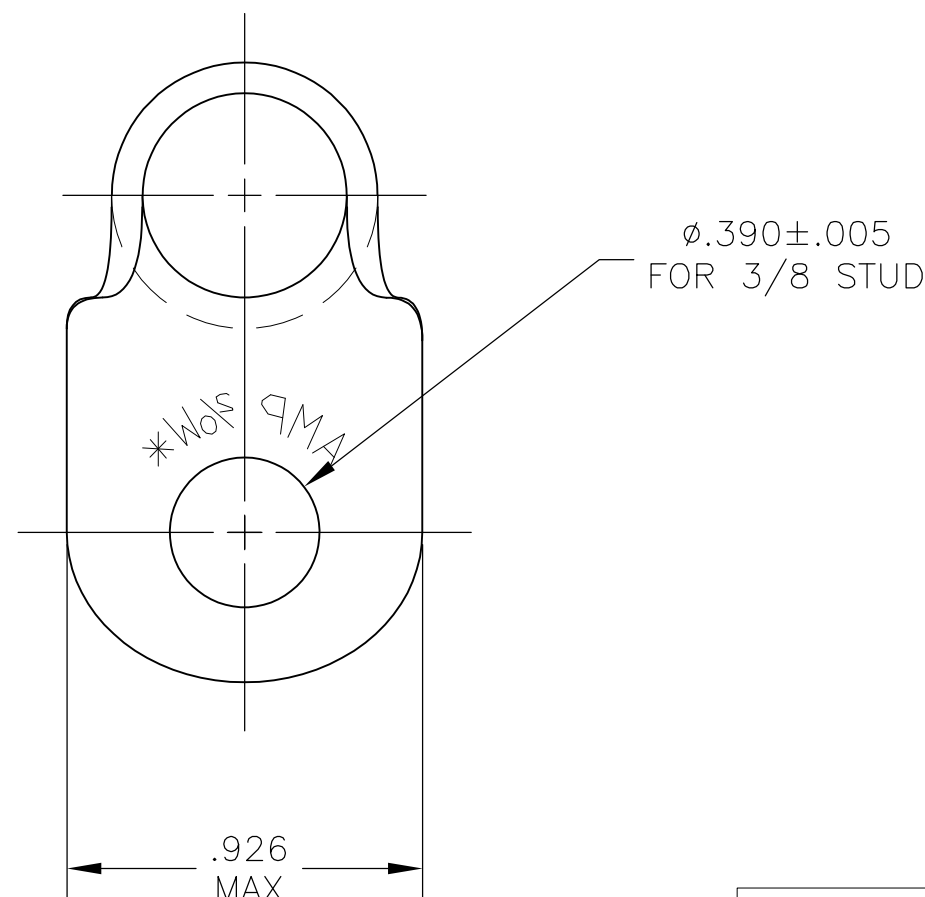
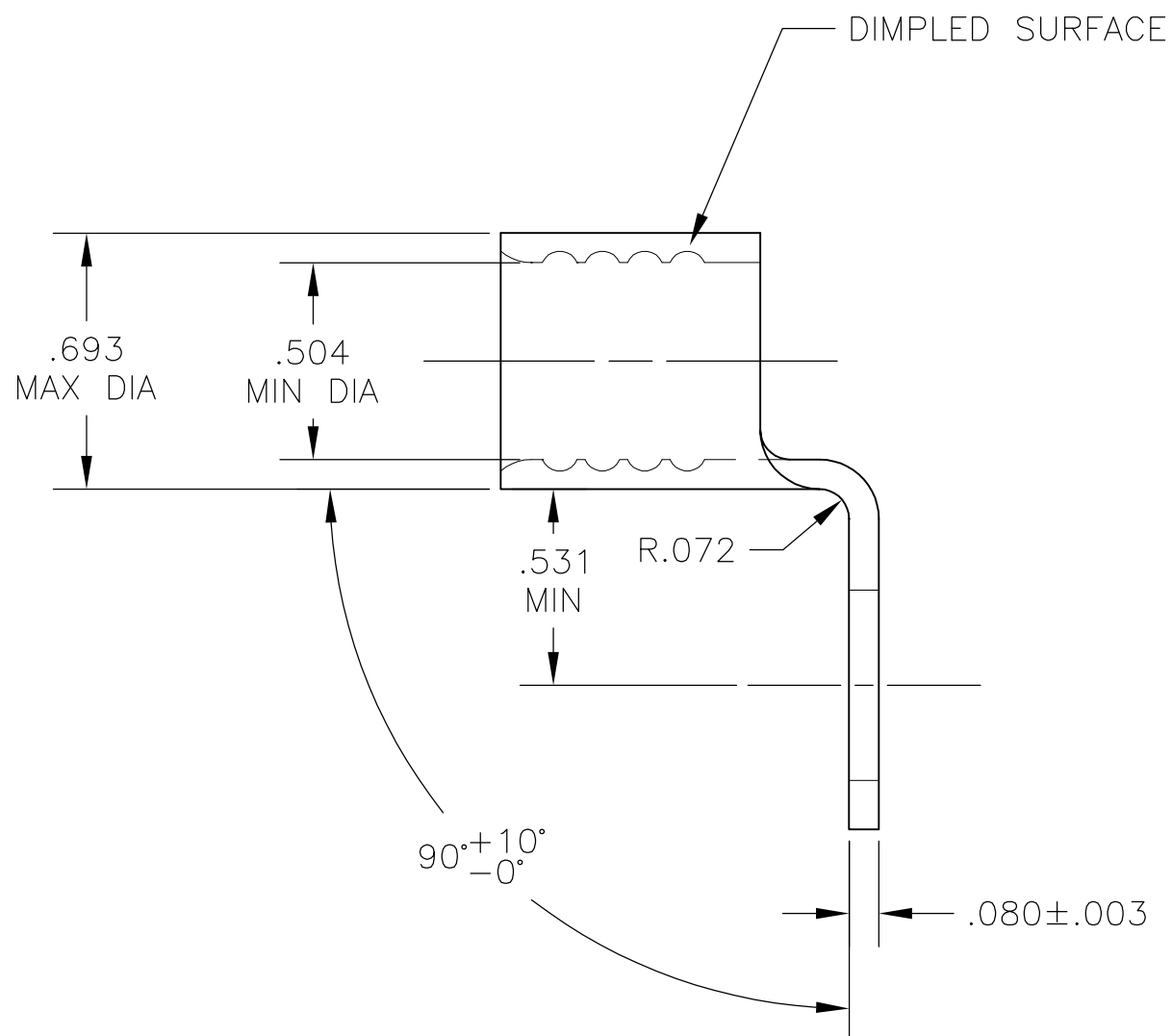
E1

REVISED PER ECO-12-006198


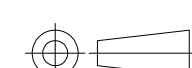
30MAR12

KH

DR



COPPER PER ASTM B-152 ANNEALED TIN PL PER ASTM B-545	322912
MATERIAL & FINISH	PART NO

THIS DRAWING IS A CONTROLLED DOCUMENT.		DWN JR RUTH 20NOV03	 TE Connectivity					
DIMENSIONS: INCHES		CHK MJ SPICER 20NOV03				NAME		
		APVD MJ SPICER 20NOV03				WIRE TERMINAL SOLISTRAND, RING TONGUE, BENT 90, WIRE SIZE :2/0		
TOLERANCES UNLESS OTHERWISE SPECIFIED:		PRODUCT SPEC				RESTRICTED TO		
0 PLC ± - 1 PLC ± - 2 PLC ± - 3 PLC ± .008 4 PLC ± - ANGLES ± 5°		APPLICATION SPEC	SIZE	CAGE CODE	DRAWING NO			
MATERIAL SEE TABLE	FINISH SEE TABLE	WEIGHT -	A3	00779	C-322912			
CUSTOMER DRAWING			SCALE	SHEET	REV			
			2:1	1 OF 1	E1			