

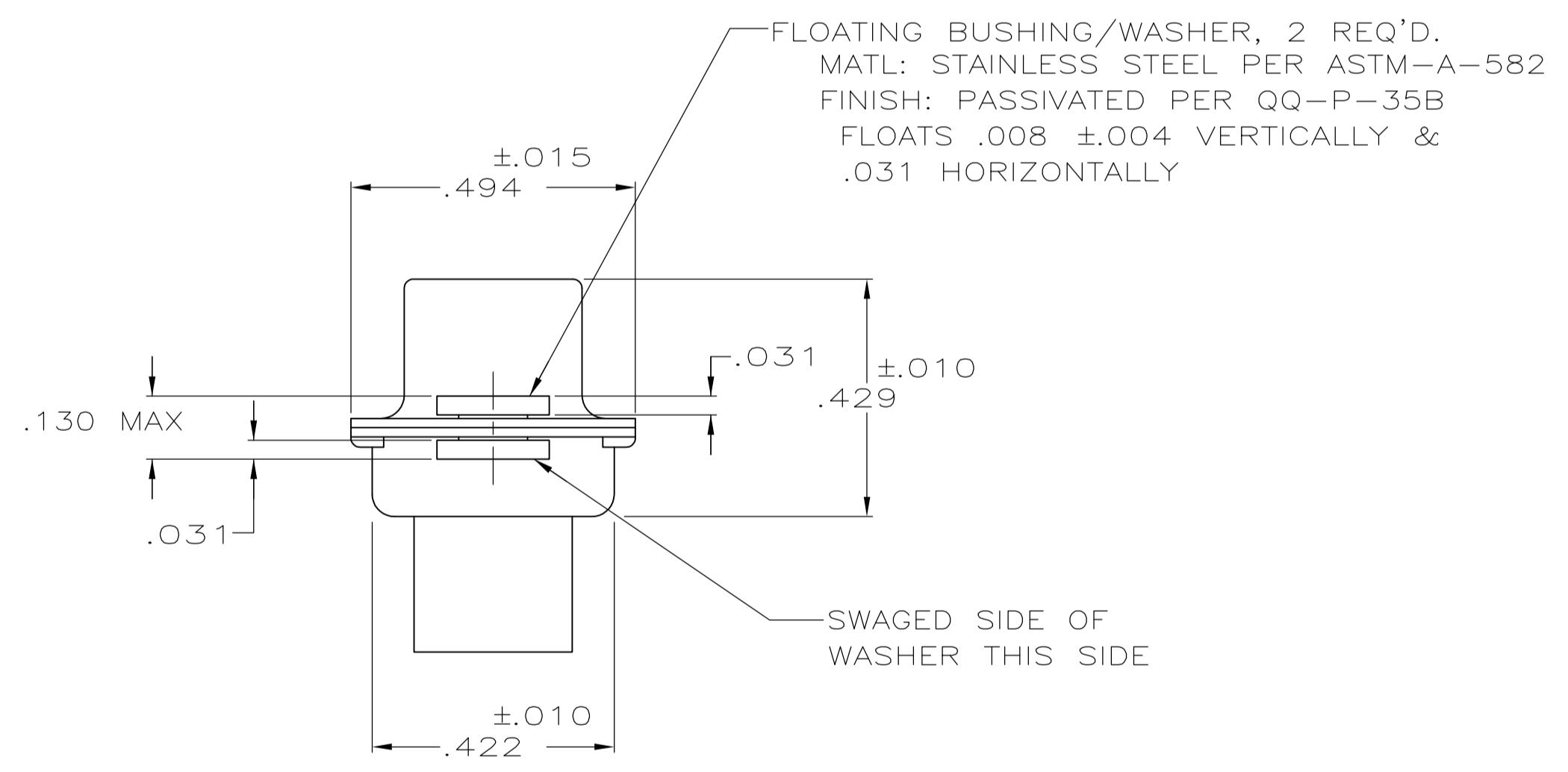
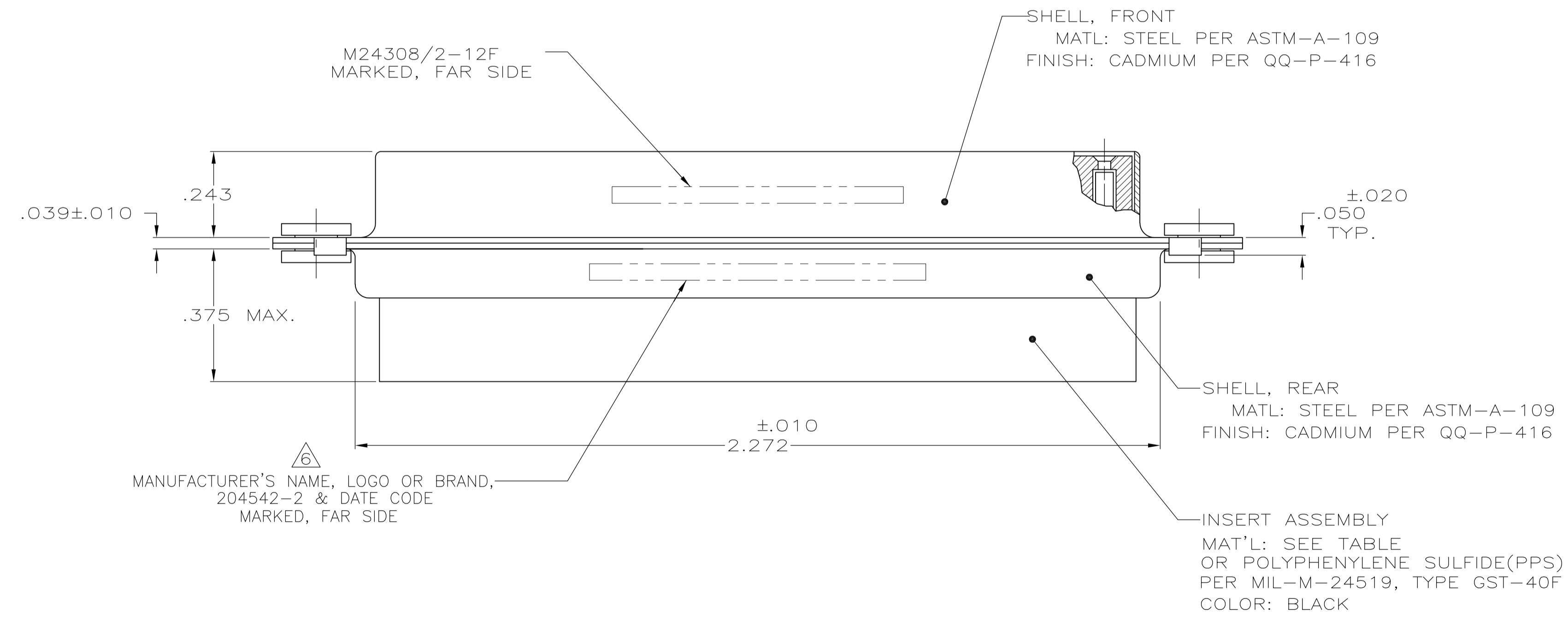
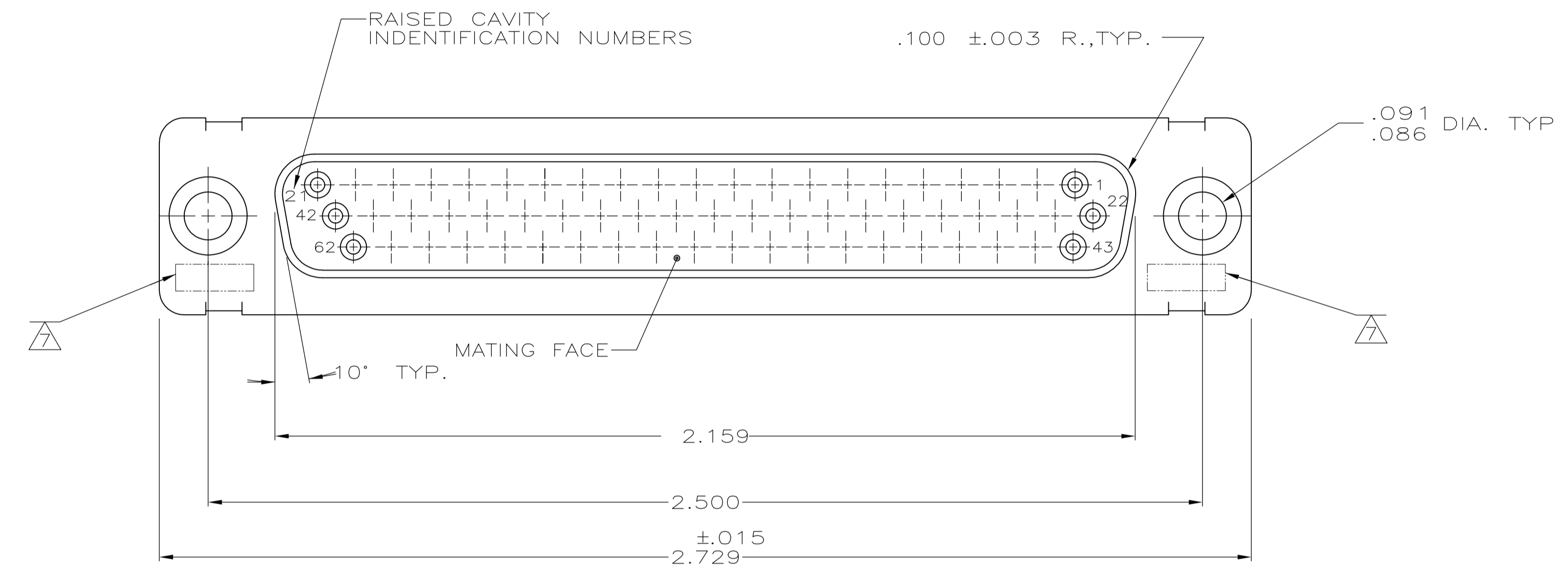


1. THIS RCPT. IS DESIGNED TO CONFORM TO THE LATEST ISSUE OF MIL-C-24308
  2. MAX WIRE INSUL TO BE USED WITH THIS RCPT IS .054 DIA
  3. METAL RETENTION CLIPS ARE INCLUDED IN INSERTS
  4. PACKAGE MARKED M 24308/2-300F
  5. THIS RCPT. WILL ACCEPT SIZE 22 SOCKET CONTACT M 24308/12 OR TE # 204351
-  MANUFACTURER'S PART NO. MARKED ON CONNECTOR REPRESENTS KIT NUMBER WITH CONTACTS  
 UL/CSA DESIGNATION MARKED IN THIS AREA,OPTIONAL



OBSOLETE	PHENOLIC COLOR:BLACK	204530-1
	DIALYL PHTHALETE COLOR: BLUE	204530-1
	INSERT MAT'L	PART NO

THIS DRAWING IS A CONTROLLED DOCUMENT.		DIN C.C.THOMAS 12-3-87	Tyco Electronics Corporation Harrisburg, PA 17105-3608	
DIMENSIONS: INCHES		CHK F.C.BALLEW III 1-25-88	NAME F.C.BALLEW III 1-25-88	
TOLERANCES UNLESS OTHERWISE SPECIFIED:		APVD F.C.BALLEW III 1-25-88		
0 PLC ± -	1 PLC ± -	PRODUCT SPEC		
2 PLC ± -	3 PLC ± .005	APPLICATION SPEC		
4 PLC ± -	ANGLES ± °30'	SIZE A1 00779 C=204530		
MATERIAL SEE CALLOUTS	FINISH SEE CALLOUTS	WEIGHT -	SCALE 4:1	SHEET 1 OF 1
CUSTOMER DRAWING		REV N		