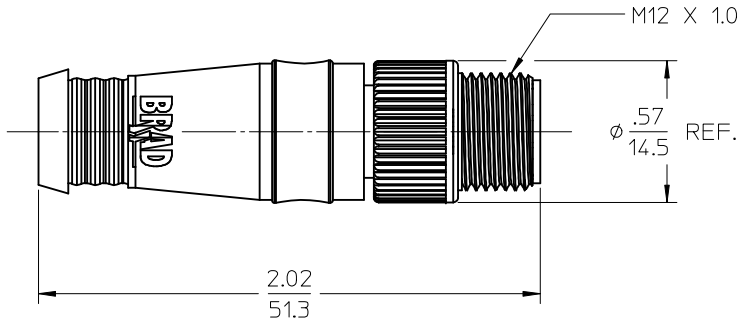
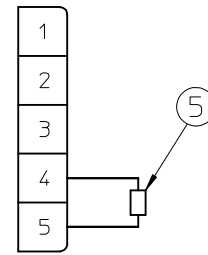
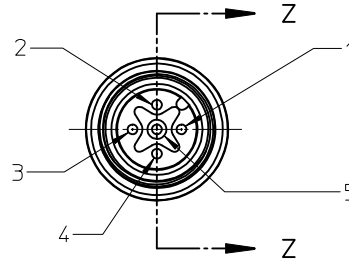
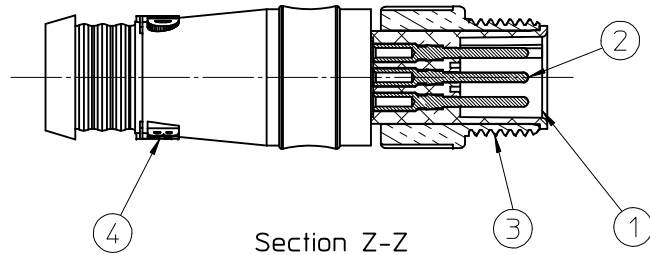
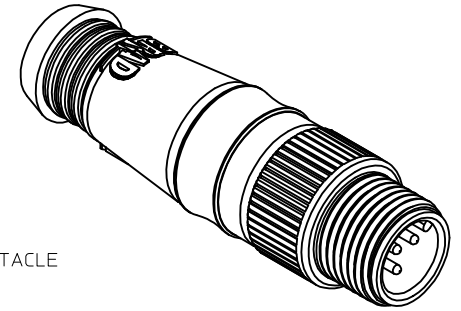


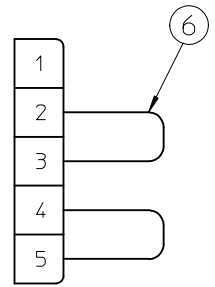
10	9	8	7
MATERIAL NO.	ENGINEERING NO.	DESCRIPTION	
1300390382	DND100	MALE STANDARD TERMINATOR WITH RESISTOR	
1300390125	DND101	MALE TERMINATOR WITH JUMPERS	



- NOTES:
1. MATERIAL: SEE TABLE
  2. FINISHES: SEE TABLE
  3. MATES WITH: FEMALE MICRO-CHANGE 5 POLE RECEPTACLE
  4. ELECTRICAL SPECIFICATIONS:  
VOLTAGE RATING: 30V  
CURRENT RATING: 4.0 AMPS
  5. ASSEMBLY IS RoHS COMPLIANT



WIRING DIAGRAM  
(1300390382)



WIRING DIAGRAM  
(1300390125)

6	2	JUMPER WIRE, 22 AWG	PVC INSULATION	
5	1	RESISTOR, 121 OHM, 1/4 WATT, ±1%	CARBON OR METAL FILM	
4	1	OVERMOLD	GRAY	PVC
3	1	COUPLING NUT, MALE THREAD	ZINC	BLACK
2	5	CONTACT PIN	Cu ALLOY	GOLD
1	1	INSERT, 5 POLE	NYLON	BLACK
ITEM	QTY.	DESCRIPTION	MATERIAL	FINISH

RELEASED  
EC NO: WNA2010-0141  
DR: W. R. STONE 2009/08/28  
CHK: B. WOODMAN 2009/08/28  
APPR: J. MURPHY 2009/08/31

QUALITY SYMBOLS  
▽=0  
▽=0

GENERAL TOLERANCES (UNLESS SPECIFIED)

	mm	INCH
4 PLACES	± .005	± .0005
3 PLACES	± .005	± .0005
2 PLACES	± .005	± .0005
1 PLACE	± 0.3	± .012
ANGULAR ±1/2°		

DRAFT WHERE APPLICABLE  
MUST REMAIN WITHIN DIMENSIONS

DIMENSION STYLE  
IN/MM

DRAWN BY	DATE
R. STONE	2009/08/27
CHECKED BY	DATE
B. WOODMAN	2009/08/28
APPROVED BY	DATE
J. MURPHY	2009/08/28

MATERIAL NO.

SCALE 2:1  
DESIGN UNITS INCH  
THIRD ANGLE PROJECTION

TITLE  
MICRO-CHANGE TERMINATOR  
MALE, 5 POLE  
DEVICE NET

MOLEX INCORPORATED

DOCUMENT NO. SD-130039-011  
SHEET NO. 1 OF 1

THIS DRAWING CONTAINS INFORMATION THAT IS PROPRIETARY TO MOLEX INCORPORATED AND SHOULD NOT BE USED WITHOUT WRITTEN PERMISSION