

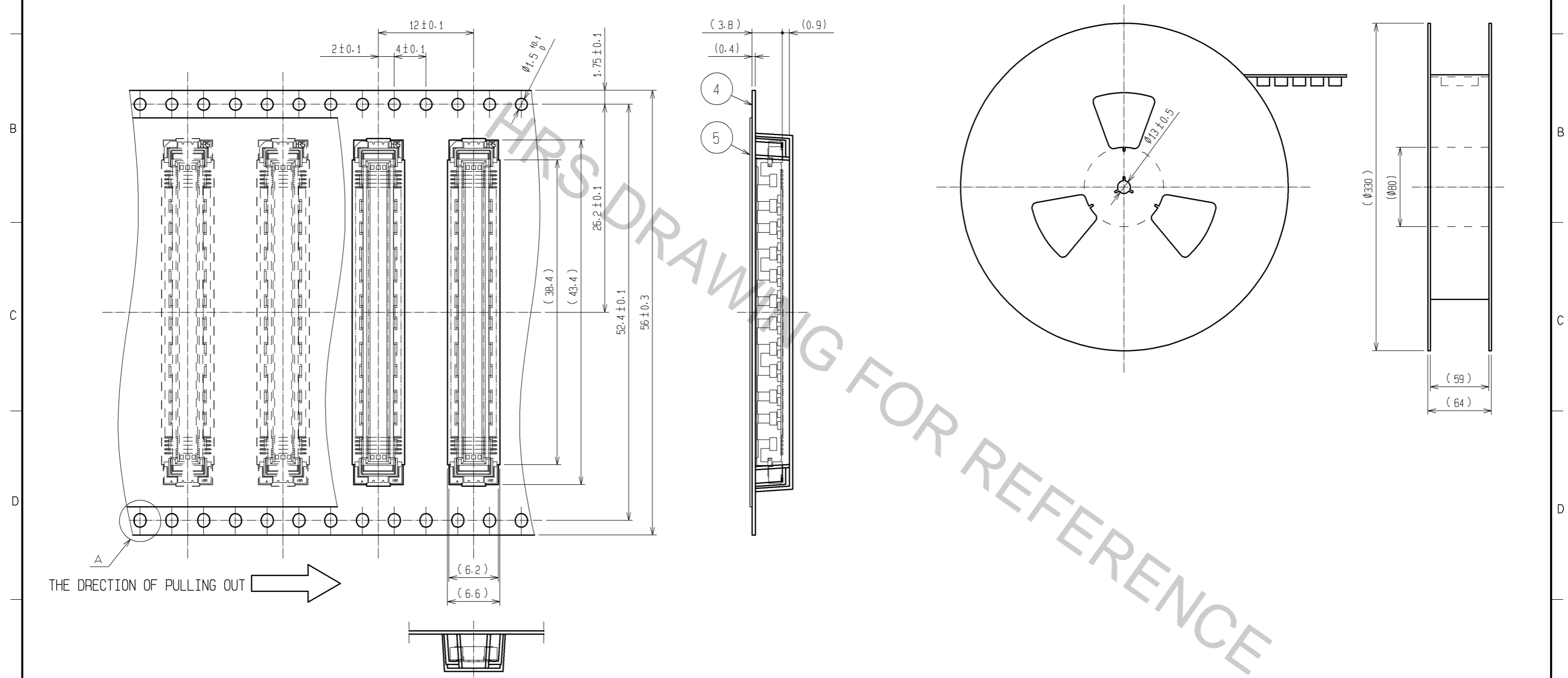
RECOMMENDED LAND PATTERN DIMENSION OF PCB
(RECOMMENDED METAL MASK THICKNESS: 0.15mm)

- NOTES
- 1 SMT LEAD-COPLANARITY: 0.1 MAX.
 - 2 THIS PRODUCT HAS NO POLARITY TO PATTERN FOR MOUNTING.
 - ③ MAKE SURE WIDTH OF PATTERN IS WITHIN THAT OF LAND, OR LEAD MAY TOUCH PATTERN. (THIS APPLIES TO HATCHED AREA.)
 - 4 EMBOSS CARRIER TAPE PACKAGE IS APPLIED ON THIS PRODUCT. PLEASE REFER TO THE SHEET 2/2 FOR THE DETAILS.
 - 5 THE DIMENSIONS IN PARENTHESES ARE FOR REFERENCE.

3	PHOSPHOR BRONZE	TIN-PLATING			
2	PHOSPHOR BRONZE	CONTACT AREA: GOLD 0.1μm min. LEAD AREA: TIN-PLATING 1μm min. UNDER PLATING: NICKEL 1μm min.	5	POLYESTER	TOP COVER TAPE
1	LCP	BEIGE UL94V-0	4	POLYSTYRENE	EMBOSSED CARRIER TAPE
NO.	MATERIAL	FINISH, REMARKS	NO.	MATERIAL	FINISH, REMARKS
UNITS	mm	SCALE	4 : 1	COUNT	△
		APPROVED	HT. YAMAGUCHI	10.07.29	DRAWING NO.
		CHECKED	HT. YAMAGUCHI	10.07.29	PART NO.
		DESIGNED	SY. KAMIGA	10.07.29	CODE NO.
		DRAWN	HK. SUNADORI	10.07.28	
				DESIGNED	EDC3-151958-21
				CHECKED	FX10B-144P-SV(91)
				DATE	CL570-0053-9-91
					△ 1/2

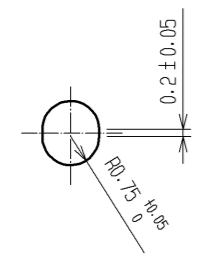
DRAWING FOR PACKING(2:1)

REELED DIMENSION(Free)



- NOTES
- 1 1 REEL : 1000 CONNECTORS.
 - 2 MINIMUM 10 COMPARTMENTS FROM BOTH REEL ENDS REMAIN EMPTY.
 - 3 THIS PRODUCT HAS NO POLARITY TO TAPE AND REEL PACKAGING.
 - 4 THE DIMENSIONS IN PARENTHESES ARE FOR REFERENCE.

A (5:1)



HRS	DRAWING NO.	EDC3-151958-21	2/2
	PART NO.	FX10B-144P-SV(91)	
	CODE NO.	CL570-0053-9-91	