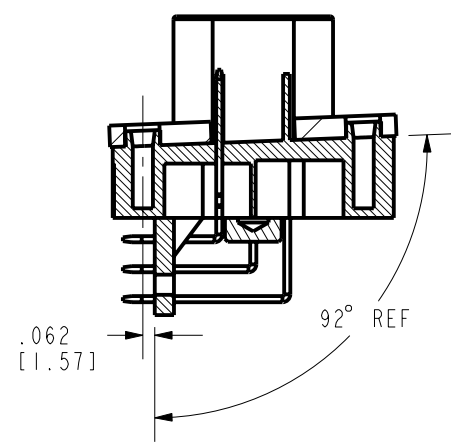
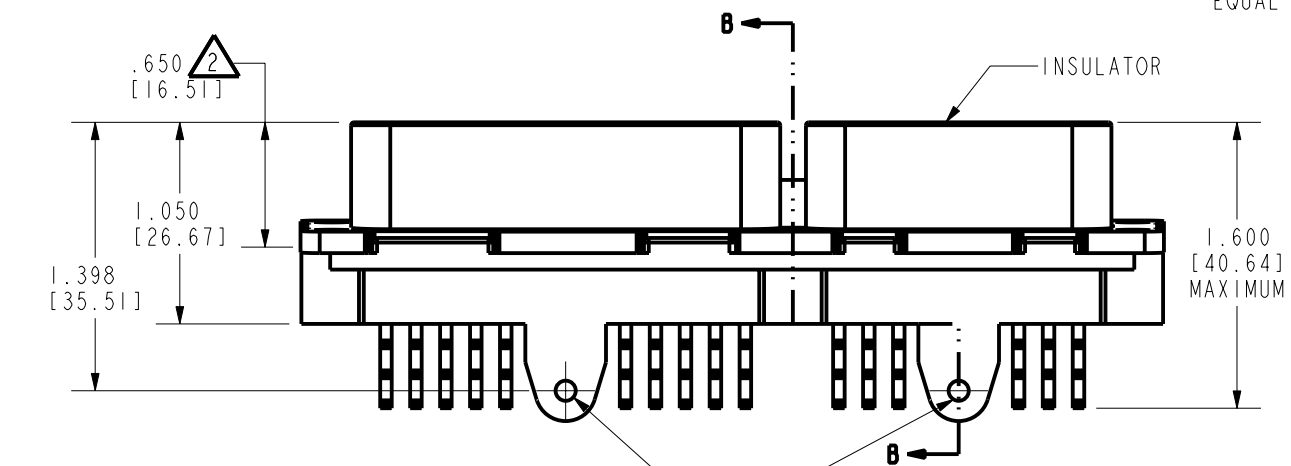


SECTION A-A



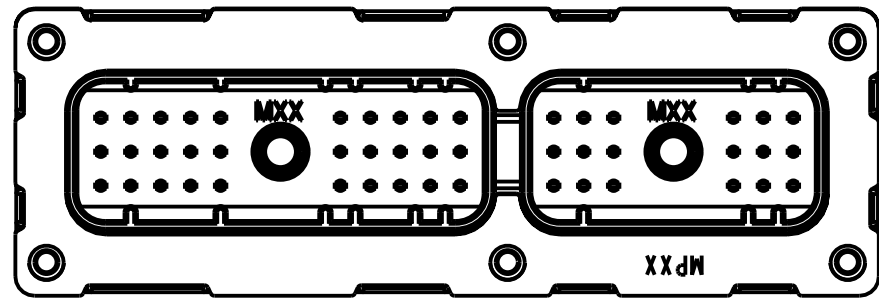
SECTION B-B

DRAWING REVISIONS			
REV	DOCUMENT	APP	DATE
A	RELEASED	AC	11/16/01

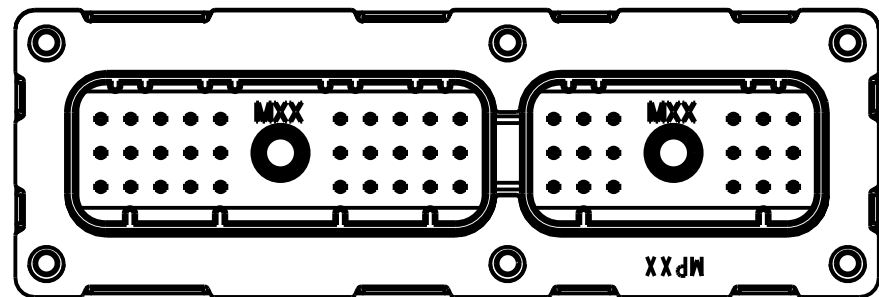
NOTES:

- ALL DIMENSIONS IN [] ARE IN MILLIMETERS.
- .650 [16.51] TO BE MEASURED AT THE CENTER OF WIDTH OF CONNECTOR.
- MATERIAL:
 TERMINAL BLADE: BRASS WITH TIN-LEAD OVER NICKEL PLATING.
 JACKSCREW BUSHING: BRASS, UNPLATED.
 INSULATOR: 30% GLASS FILLED PBT POLYESTER.
 PANEL SEAL: SILICON RUBBER COLOR: BLUE.
 INTERFACE SEAL: SILICON RUBBER COLOR: BLUE.
- SOLDERABILITY MEETS USCAR 5.4.1.
- MATES WITH CINCH PUSH-TO SEAT HARNESS CONNECTOR (CONSULT FACTORY).
- STANDARD CELL PACK, QUANTITY 75 PIECES.
- RECOMMENDED TORQUE:
 JACKSCREW 15-20 INLBS [1.7-2.3 Nm]
 PANEL SCREW 8.5±0.5 INLBS [0.9±0.1 Nm]
 PCB RETENTION SCREW 2-3 INLBS [0.23-0.34 Nm]

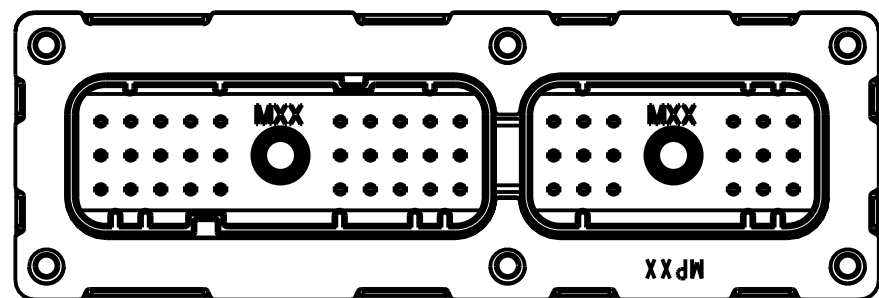
UNITS	ENGLISH		PRO/E	Cinch		1700 FINLEY RD LOMBARD, IL. 60148
DO NOT SCALE DRAWING	DRAWN BY J. TOBACK	DATE 11/16/01	TITLE CONNECTOR ASSEMBLY, RECEPTACLE 48 POSITION	MODELED BY: J. DRYE		
	DESIGN ENGINEER J. TOBACK	11/16/01	MATERIAL	CONTROL SPEC NUMBER		
	DESIGN ENGINEERING MGR. A. CAINES	11/16/01	MATERIAL SPEC NUMBER	FINISH	PROJECT NUMBER C13184	
THIS DOCUMENT IS THE PROPERTY OF CINCH. NEITHER THIS DOCUMENT NOR ANY OF THE INFORMATION CONTAINED IN IT MAY BE DUPLICATED OR DISCLOSED WITHOUT PRIOR WRITTEN CONSENT OF CINCH.	MFG. ENGINEERING P. WALTHALL	12/06/01	CAD FILE NUMBER 5810148011S	DRAWING NUMBER 581 01 48 011S		
	QUALITY ASSURANCE T. SHAH	12/06/01	CAGE IDENT NO. SIZE 71785 B	SCALE 1:1	SHEET 1 OF 2	



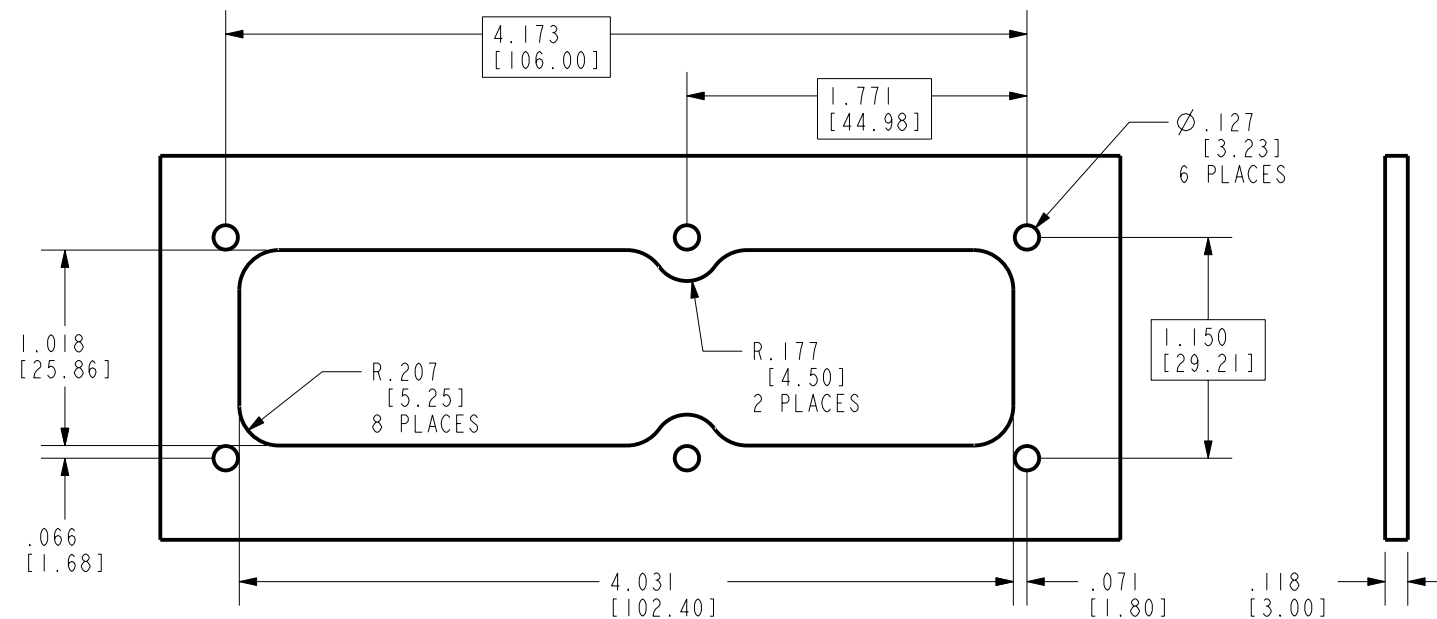
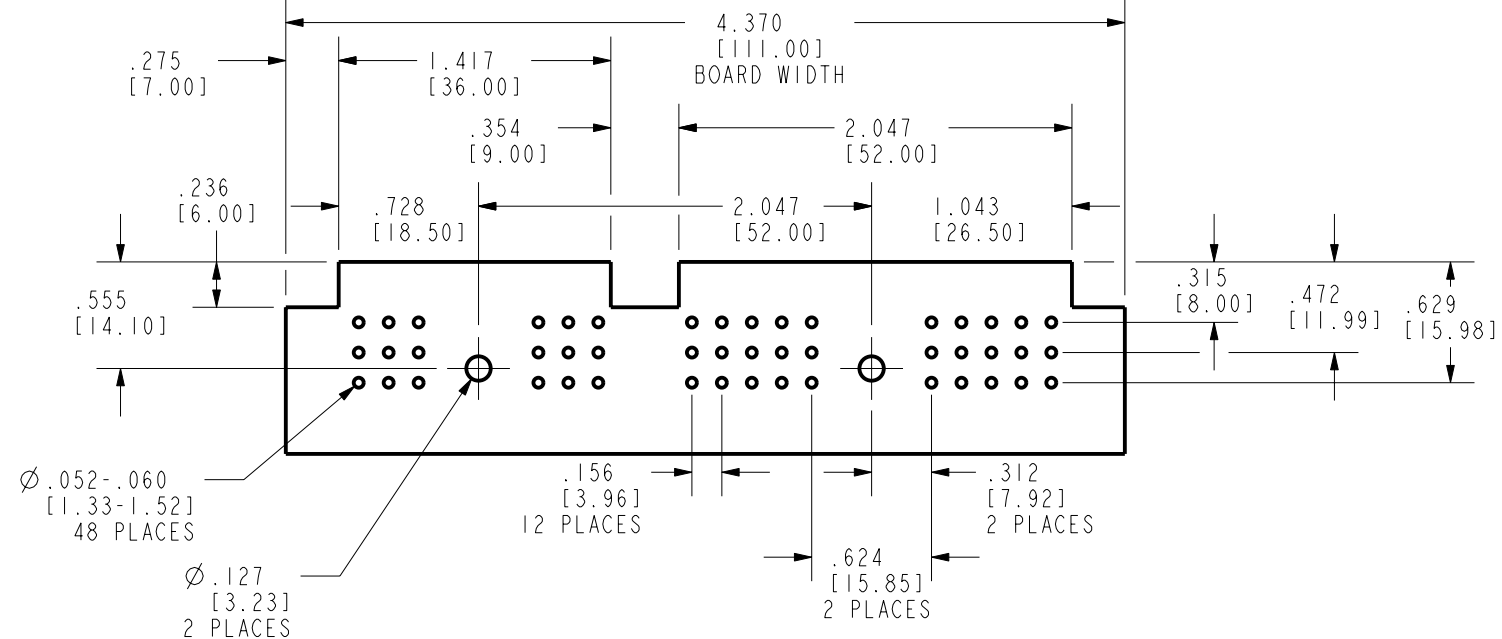
POLARIZATION A
581 01 48 011
HOUSING COLOR : BLACK



POLARIZATION B
581 01 48 012
HOUSING COLOR : NATURAL



POLARIZATION C
581 01 48 013
HOUSING COLOR : GRAY



UNITS ENGLISH	Cinch		1700 FINLEY RD LOMBARD, IL. 60148
DO NOT SCALE DRAWING	TITLE CONNECTOR ASSEMBLY, RECEPTACLE 48 POSITION		
	PRO/E DRAWING		
THIS DOCUMENT IS THE PROPERTY OF CINCH. NEITHER THIS DOCUMENT NOR ANY OF THE INFORMATION CONTAINED IN IT MAY BE DUPLICATED OR DISCLOSED WITHOUT PRIOR WRITTEN CONSENT OF CINCH.	CAD FILE NUMBER 5810148011S	DRAWING NUMBER 581 01 48 011S	REV A
	CAGE IDENT NO. SIZE 71785 B	SCALE 1:1	SHEET 2 OF 2