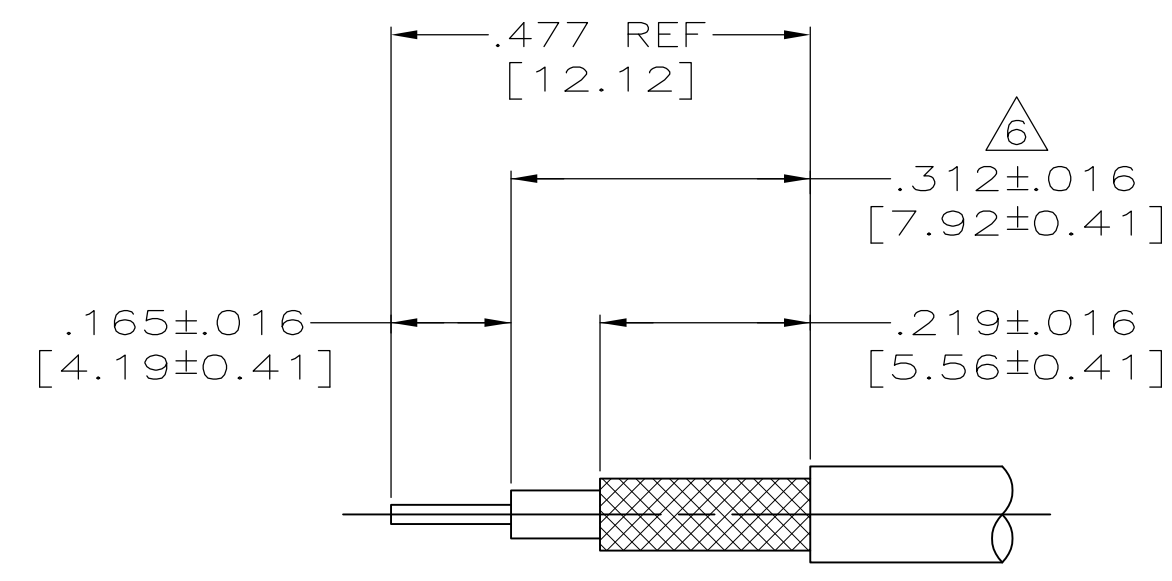
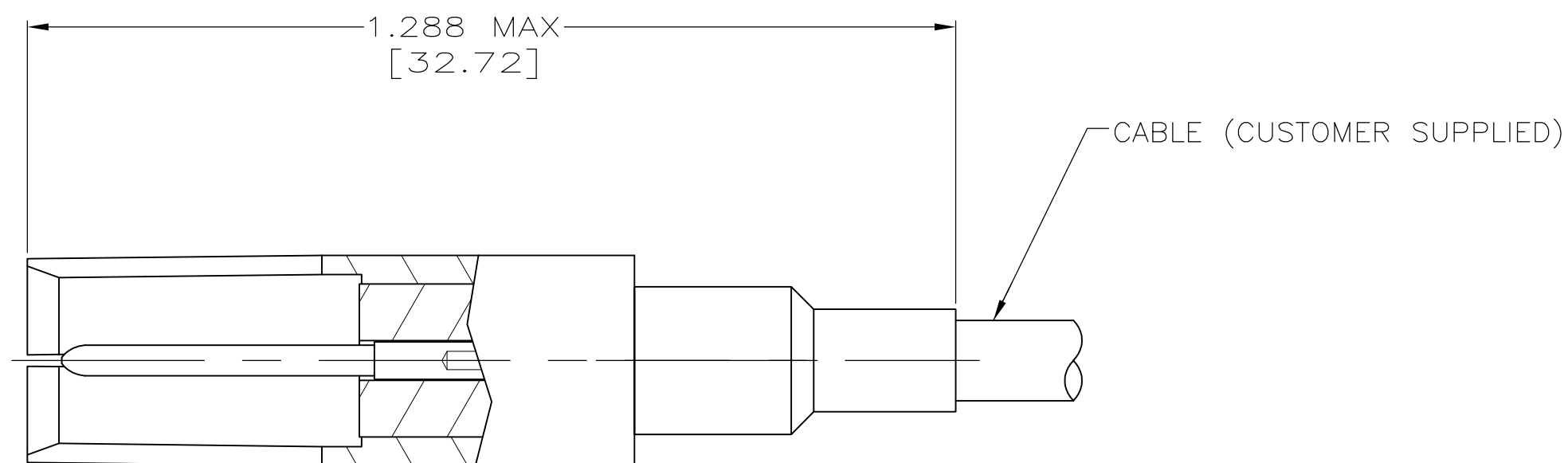


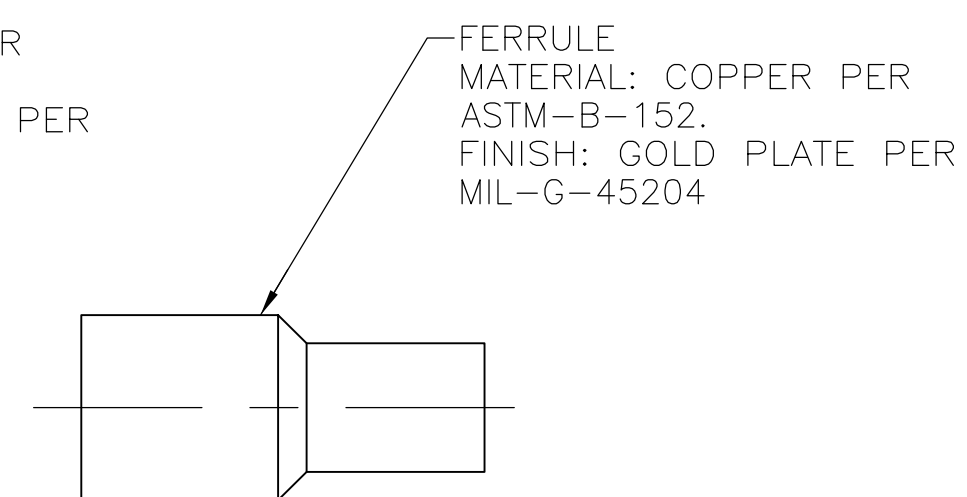
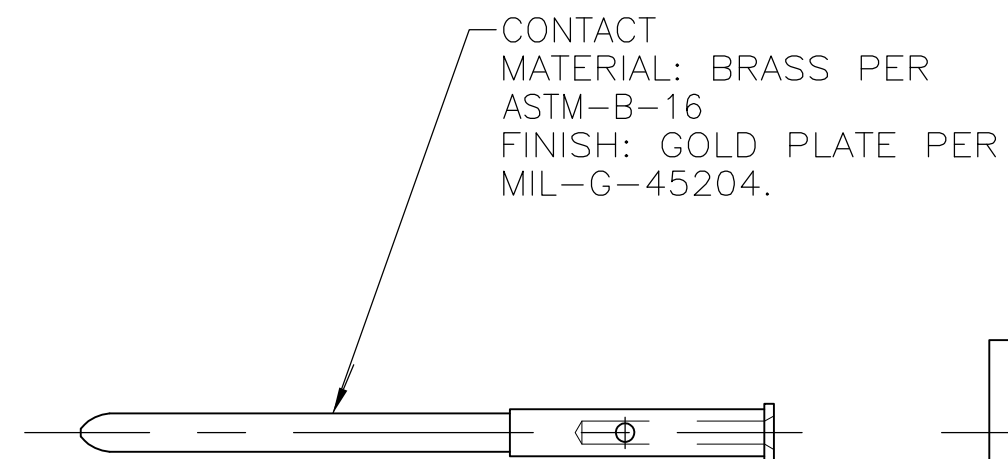
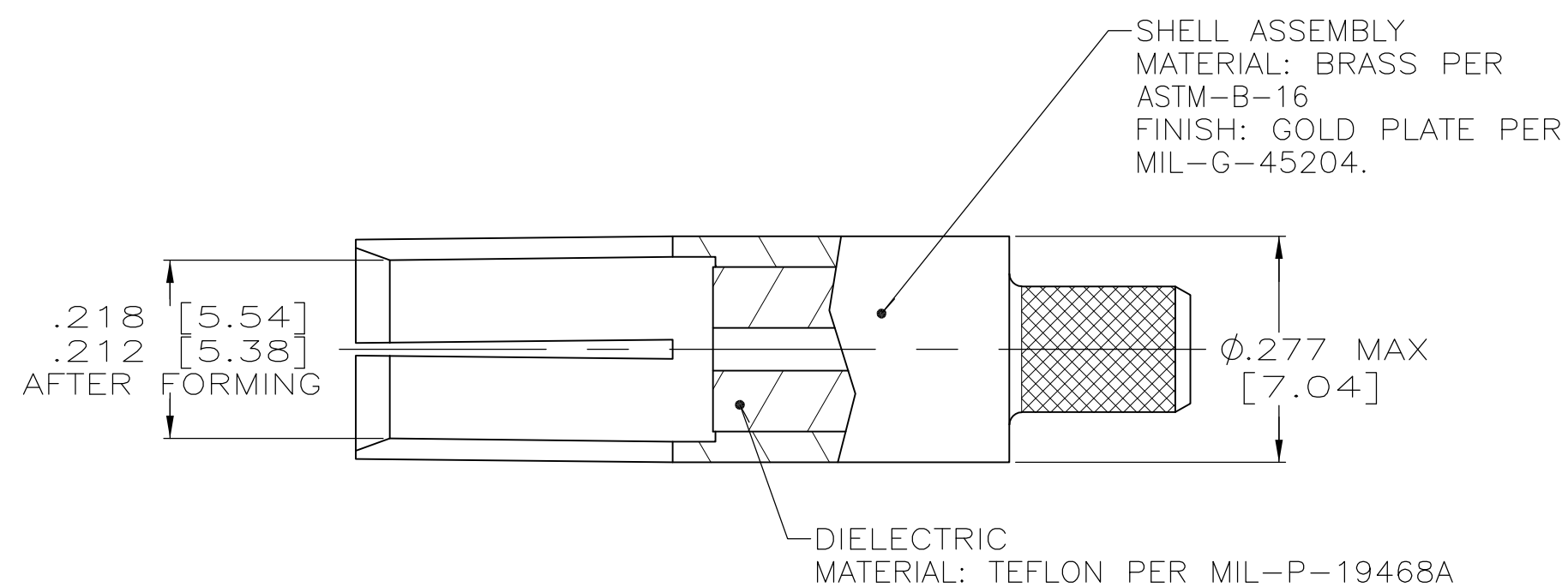
THIS DRAWING IS UNPUBLISHED. RELEASED FOR PUBLICATION  
 © COPYRIGHT - By - ALL RIGHTS RESERVED.

LOC		DIST		REVISIONS			
P	LTR	DESCRIPTION		DATE	DWN	APVD	
	D	REV PER ECO 15-017024		11-25-15	CT	WM	

### ASSEMBLED VIEW



RECOMMENDED STRIP LENGTH  
SCALE: N.T.S.



- FOR USE WITH 188A/u & 316/U COAX CABLE.
- FERRULE CRIMPING TOOL: AMP TOOL #220066-1 CRIMP C OR 220066-2 CRIMP C OR 220009-1 CRIMP C.
- CONTACT CRIMPING TOOL: M22520/2-01 OR AMP TOOL NUMBER 1-601966-6, SETTING NUMBER 5. DANIELS POSITIONER PART NO. K345 OR AMP TOOL NO. 1-601966-6.

- SEE I.S.2348.
- DANIELS MANUFACTURING CORP  
2266 FRANKLIN ROAD  
BLOOMFIELD HILLS, MI 48013

△ OUTER JACKET OF CABLE MUST BE TRIMMED TO ALLOW PROPER INTER-PIN CONTACT LOCATION AFTER FERRULE CRIMP OPERATION.

- PARTS SHIPPED UNASSEMBLED AND CABLE IS SUPPLIED BY CUSTOMER.

225791-9

PART NO.

THIS DRAWING IS A CONTROLLED DOCUMENT.		DWN	C.C.THOMAS	2-1-95	TE Connectivity		
DIMENSIONS: INCHES		CHK	J.DUNBAR	2-2-95			
TOLERANCES UNLESS OTHERWISE SPECIFIED:		APVD	-	-	NAME		
0 PLC ± -		PRODUCT SPEC		CONNECTOR, COAXIAL, RF			
1 PLC ± -		APPLICATION SPEC		SOCKET SIZE 5, ARINC			
2 PLC ± -		WEIGHT		(HEX CRIMP)			
3 PLC ± -		SCALE		SIZE CAGE CODE DRAWING NO			
4 PLC ± -		CUSTOMER DRAWING		RESTRICTED TO			
ANGLES ± -		SCALE 5:1		SHEET 1 of 1			
FINISH SEE CALLOUTS		SCALE 5:1		REV D			