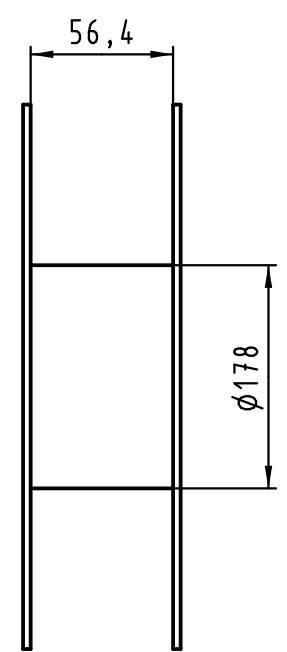
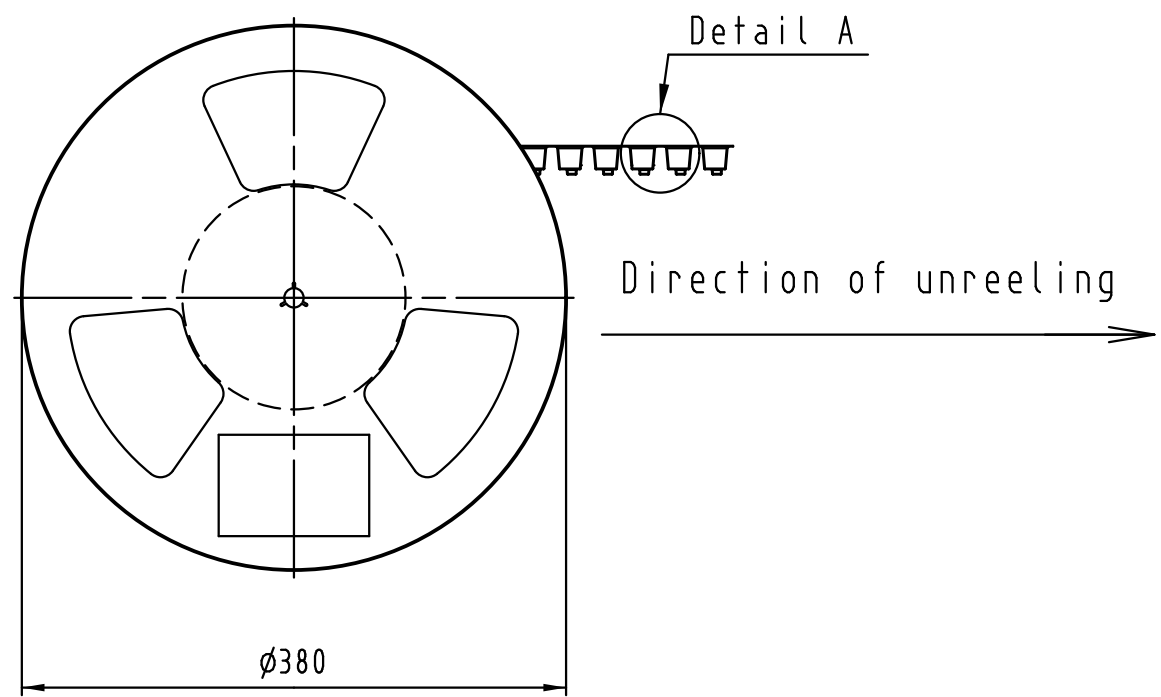
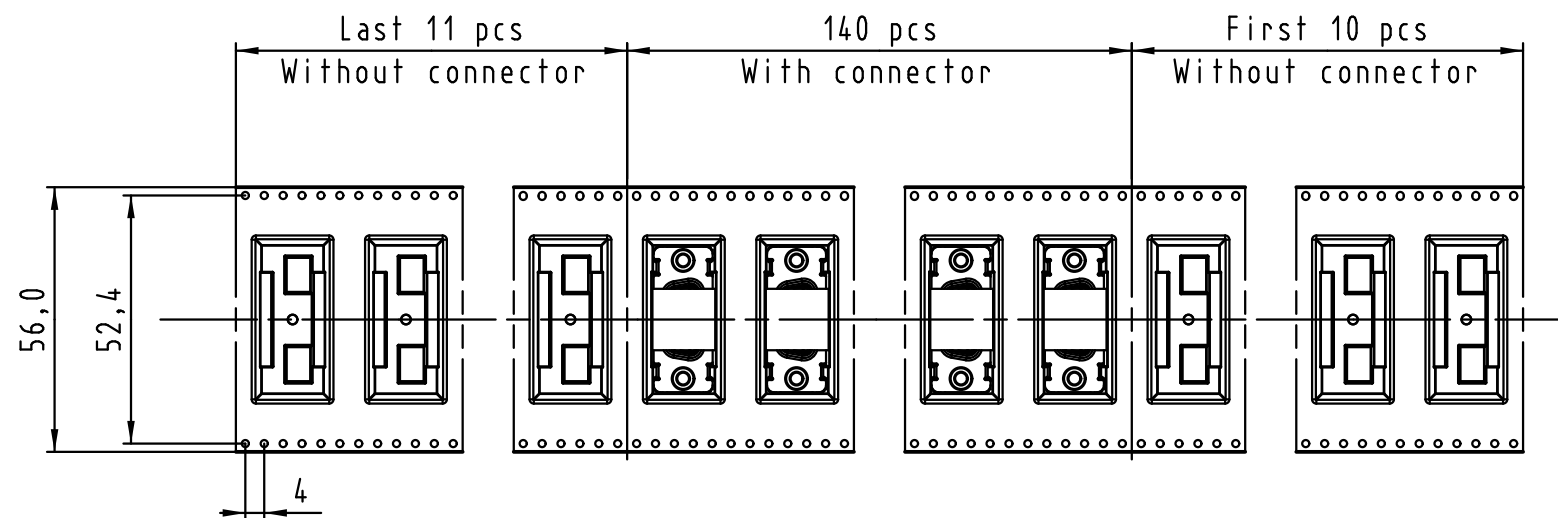


Detail A



See TB 09 55 115 x61x folio 1/2 for connector dimensions and PCB layout

Packaging in accordance with EIA 481-2.

0955 115 3611 741	1	M3	Black insulator	Reel Packaging: 140 connectors
0955 115 3612 741	1	4-40 UNC		
0955 115 6611 741	2	M3		
0955 115 6612 741	2	4-40 UNC		
0955 115 7611 741	3	M3		
0955 115 7612 741	3	4-40 UNC		
Part number	PL	Nut	Index designation	

All Dimensions in mm Original Size DIN A 3			Techn. Character.			Free size tolerances		
				Dat.	Name	Scale		
			Detail.	14-Sep-11	Johnson.S	D-Sub SMT, 9 poles Female, Straight with nuts and ground pads		
			Insp.	17-Nov-11	Steven.W			
			Stand.	17-Nov-11	Steven.W			
EC04070	17-Nov-11	Johnson.S	Zhuhai HARTING Limited			TB 09 55 115 x61x		
Mod.	Dat.	Name				Sub.		

All rights reserved