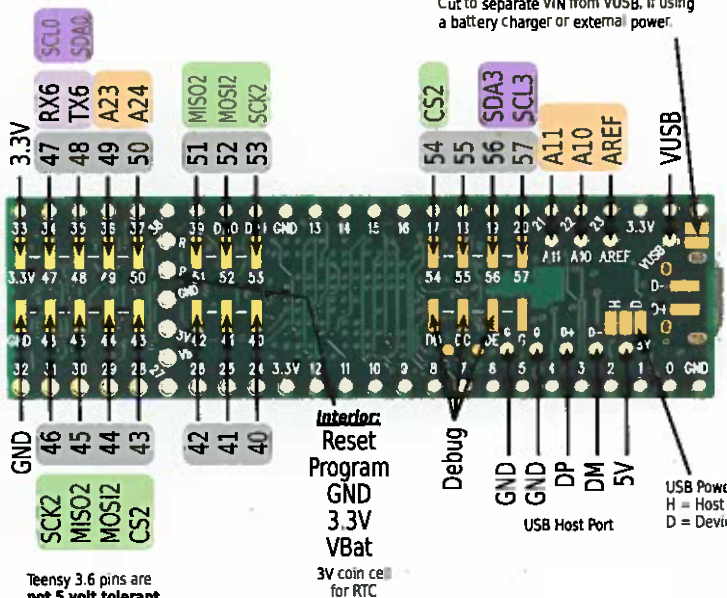


Teensy 3.6 Back Side

Additional pins and features available on the back side

Cut to separate VIN from VUSB, if using a battery charger or external power.



Teensy 3.6 pins are not 5 volt tolerant. Do not apply more than 3.3 volts.

3V coin cell for RTC

Teensy 3.6 System Requirements:
PC computer with Windows 7, 8, 10 or later
or Ubuntu Linux 12.04 or later
or Macintosh OS-X 10.7 or later
USB to Serial Cable

