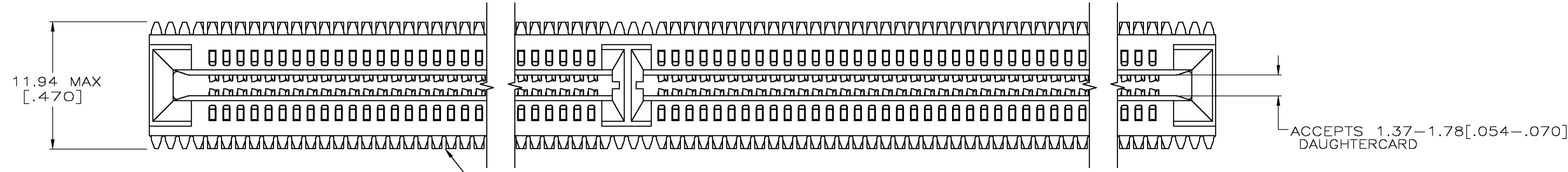


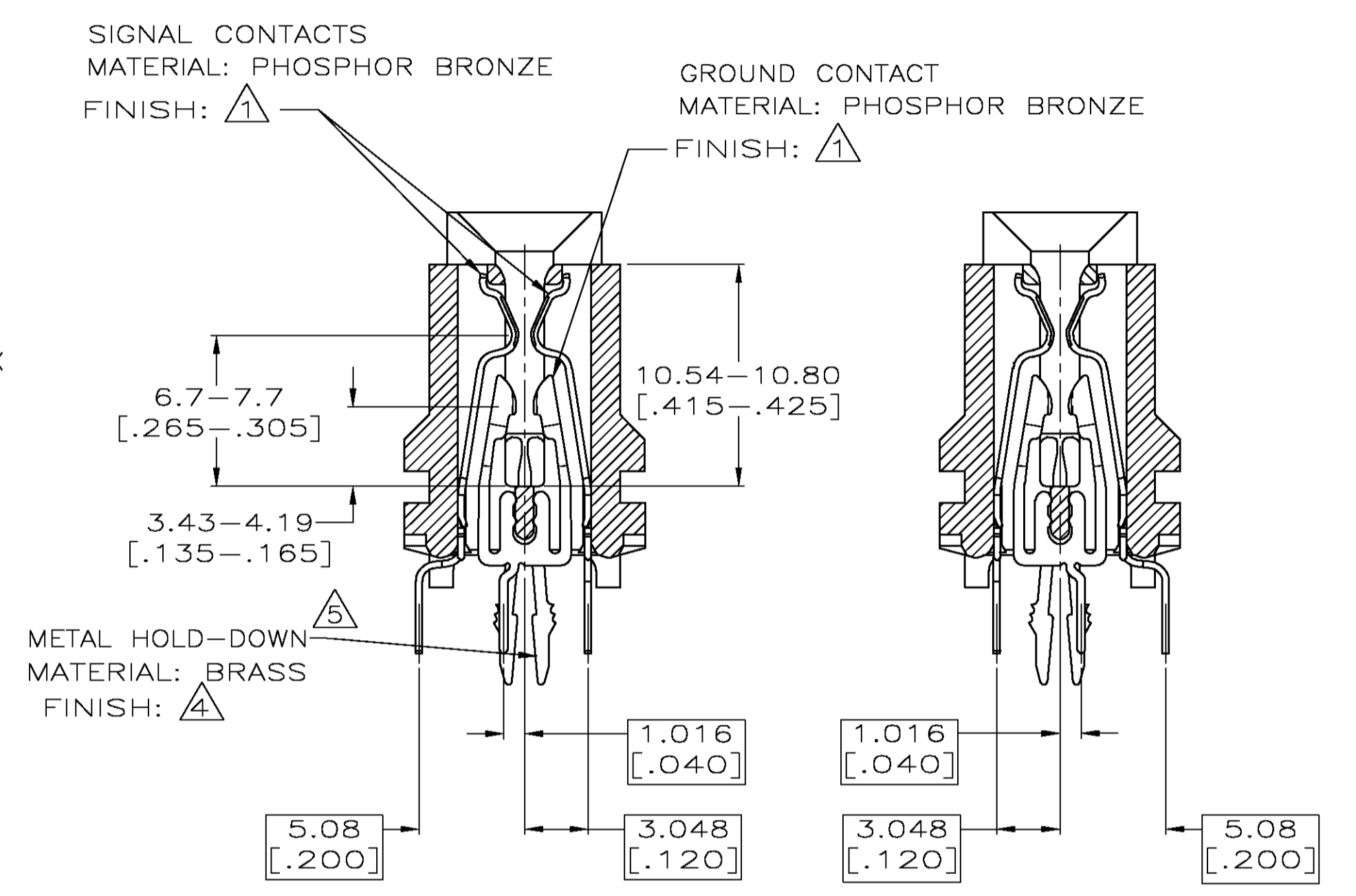
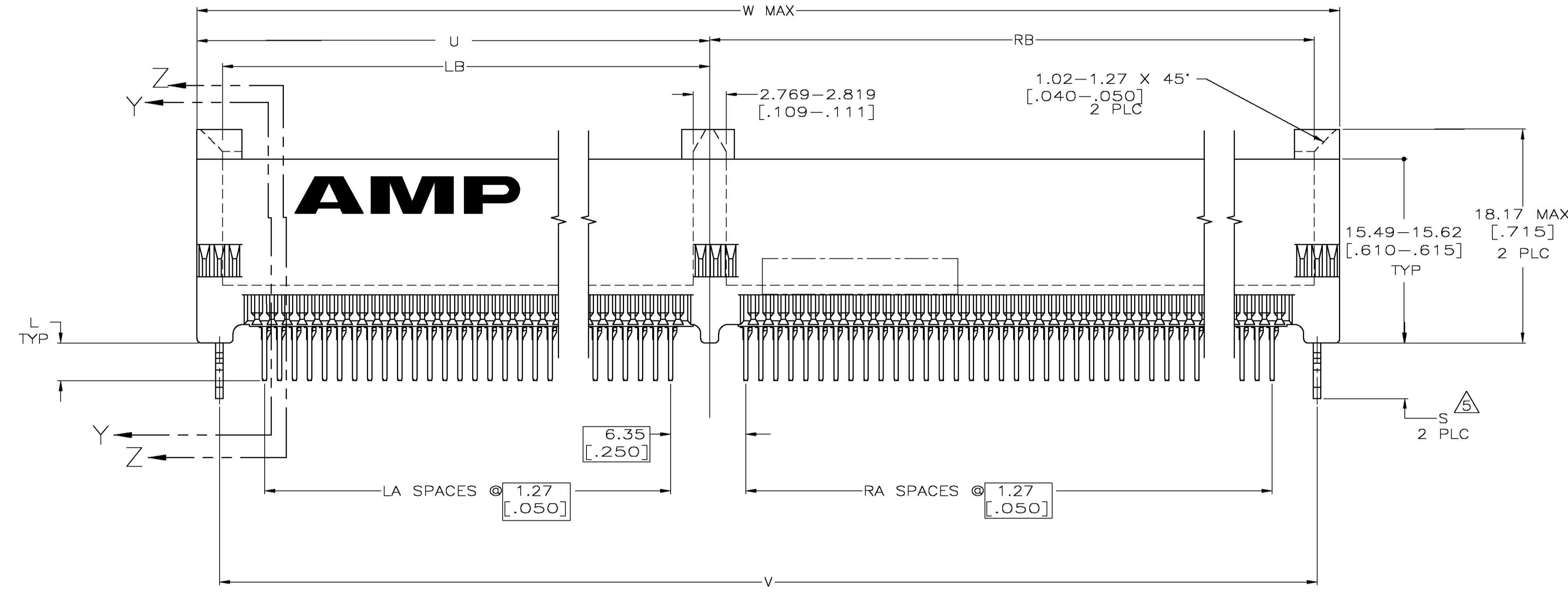
- ① FINISH: 1.27 $\mu$ m[.000050] MIN THICK NICKEL PLATE ALL OVER. 0.76 $\mu$ m [.000030]MIN THICK GOLD PLATE OVER NICKEL IN CONTACT AREA AND 2.54 $\mu$ m[.000100] MIN THICK TIN PLATE OVER NICKEL ON SOLDER TAIL.
- ② THIS REQUIREMENT IS BASED ON A 0.82 $\mu$ m[.032] MAXIMUM EFFECTIVE DIAMETER (DIAGONAL) OF THE SOLDER TAILS.
- ③ DROP DOWNS(SKIRTS) RECOMMENDED TO MINIMIZE POTENTIAL OF IMPROPER MATING OF THE BOARD TO THE CONNECTOR.
- ④ FINISH: 1.27 $\mu$ m[.000050] MIN THICK TIN.
- ⑤ DETAILS OF LONGER METAL HOLD-DOWN MAY VARY FROM THOSE SHOWN.

34.366 [1.353]	33.15-33.40 [1.305-1.315]	21	29.540 [1.163]	28.32-28.58 [1.115-1.125]	17	66.45 [2.616]	62.15-62.31 [2.447-2.453]	28.677-28.727 [1.129-1.131]	62.23 [2.450]	4.44-4.95 [.175-.195]	2.92-3.43 [.115-.135]	40	5145094-6
RC	RB	RA	LC	LB	LA	W	V	U	T	S	L	NO.OF DUAL POSN	PART NUMBER

THIS DRAWING IS A CONTROLLED DOCUMENT.		DWN A. FERNANDEZ-DOCK5 12-29-04	Tyco Electronics Corporation Harrisburg, PA 17105-3608	
DIMENSIONS: INCHES		CHK M. PERCHERKE 12-29-04	NAME CONNECTOR ASSEMBLY, DUAL POSN, HIGH SPEED, STANDARD EDGE	
TOLERANCES UNLESS OTHERWISE SPECIFIED:		APVD M. PERCHERKE 12-29-04	RESTRICTED TO	
0 PLC ± -	1 PLC ± -	PRODUCT SPEC 108-1406	SIZE A1	
2 PLC ± .13 [.005]	3 PLC ± -	APPLICATION SPEC 114-11007	CAGE CODE 00779	
4 PLC ± -	ANGLES ± 30	WEIGHT -	DRAWING NO 5145094	
MATERIAL -	FINISH ① ②	CUSTOMER DRAWING	SCALE -	SHEET 1 OF 3

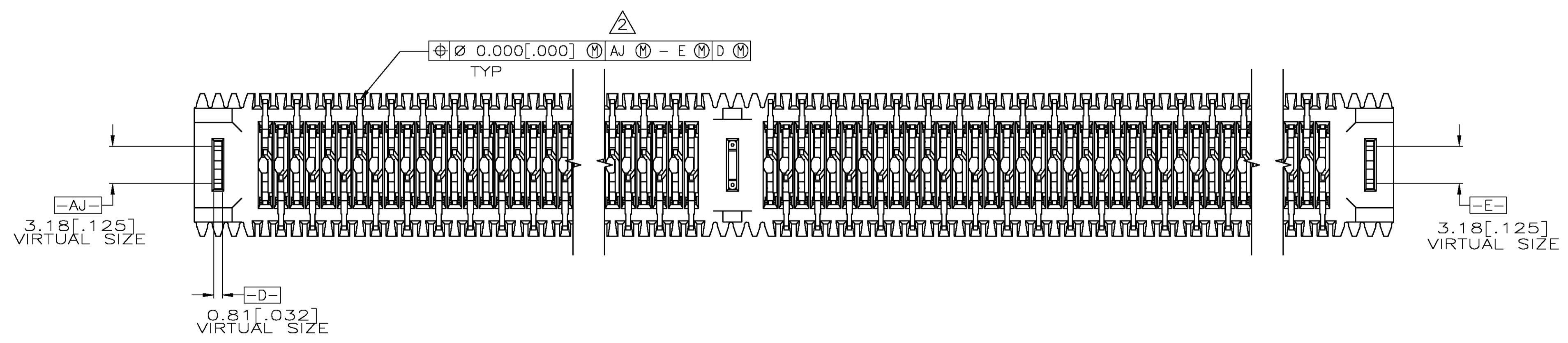


HOUSING MATERIAL: POLYPHENYLENE SULFIDE

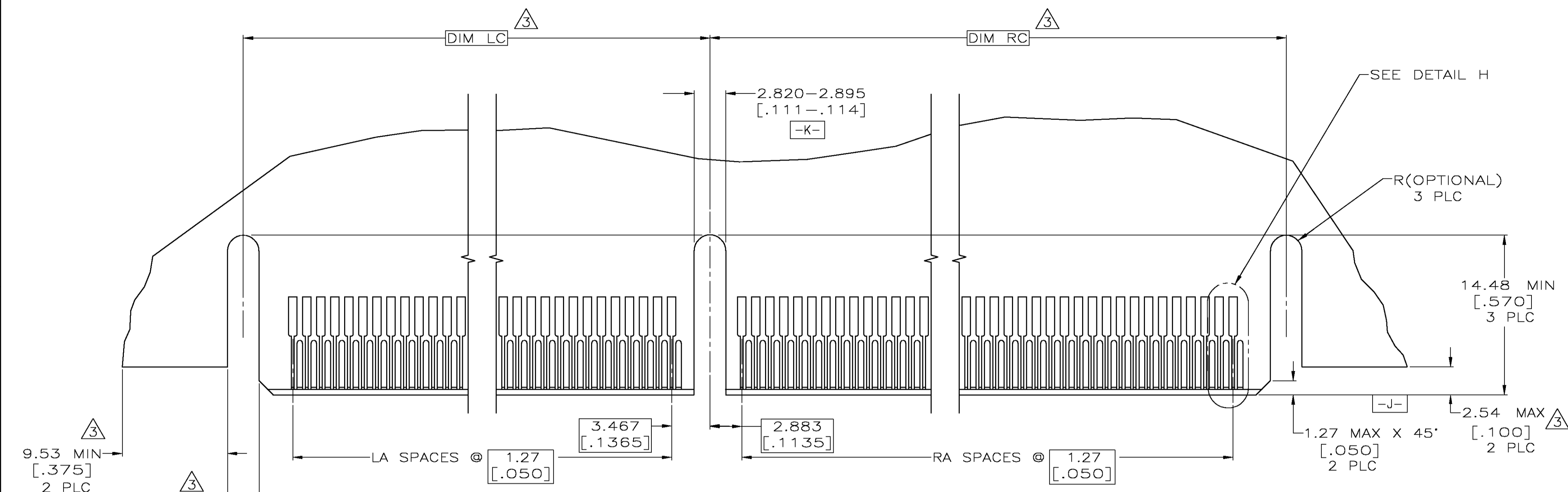


SECTION Y-Y  
 ONLY CONTACTS AT SECTION SHOWN FOR CLARITY TYP

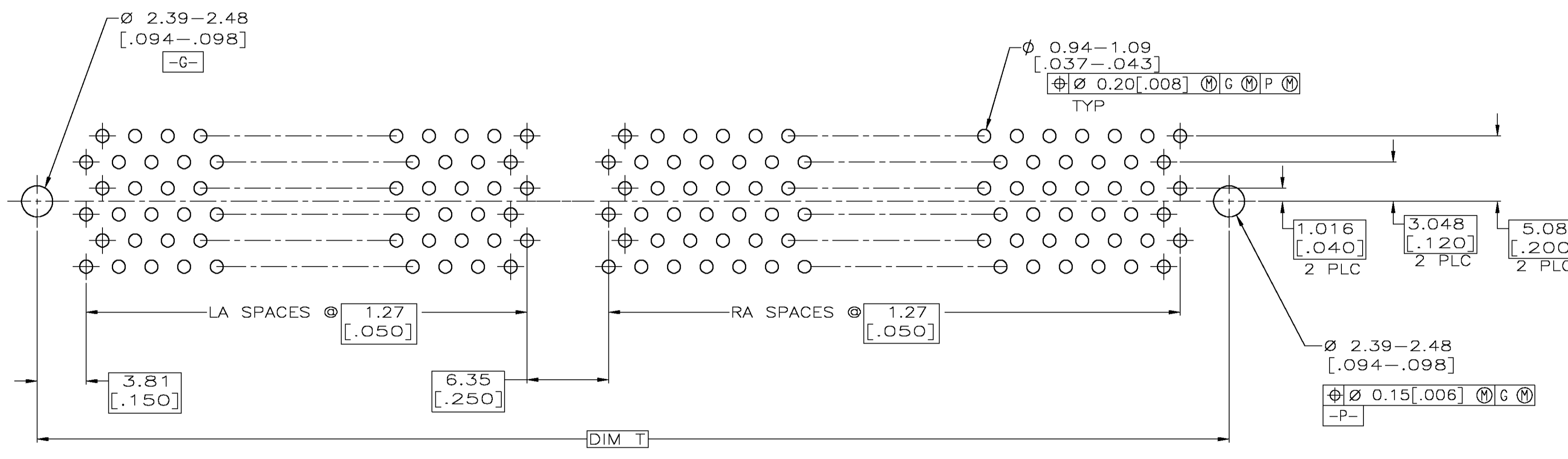
SECTION Z-Z  
 ONLY CONTACTS AT SECTION SHOWN FOR CLARITY TYP



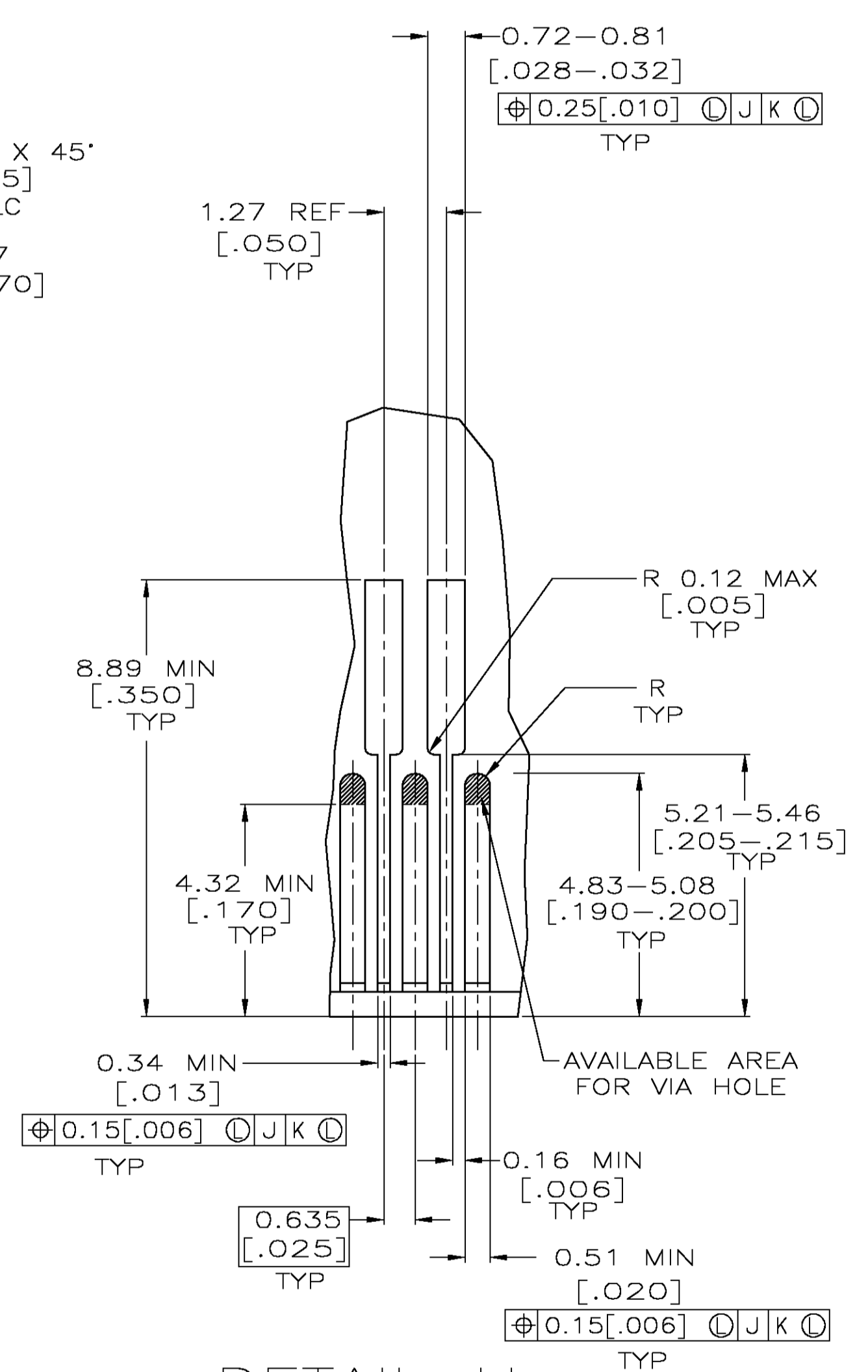
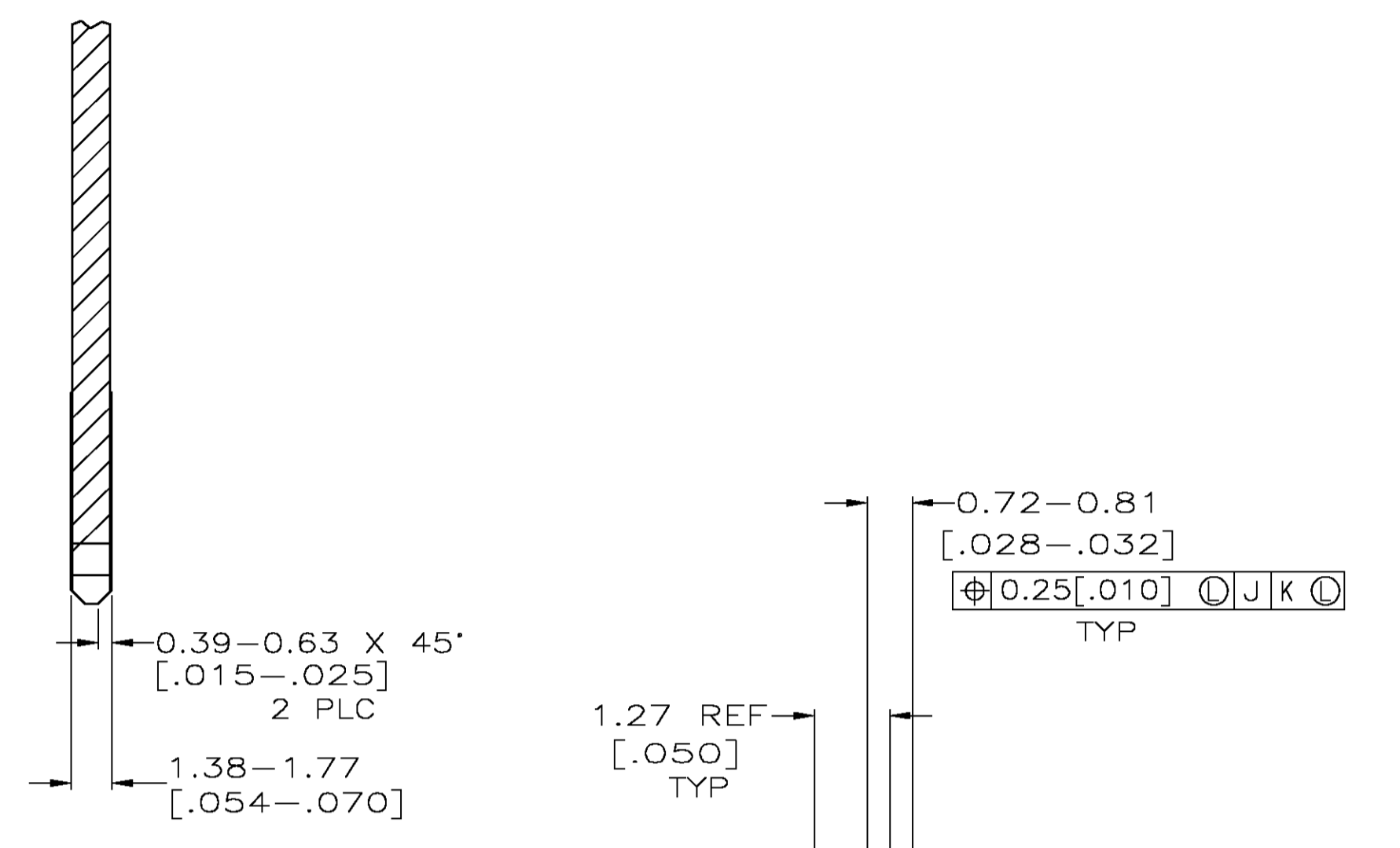
THIS DRAWING IS A CONTROLLED DOCUMENT.		DIN A. FERNANDEZ-DOCK5 12-29-04		Tyco Electronics Corporation	
		CHK M. PERCHERKE 12-29-04		Harrisburg, PA 17105-3608	
DIMENSIONS: INCHES		TOLERANCES UNLESS OTHERWISE SPECIFIED: 0 PLC ± - 1 PLC ± - 2 PLC ± .13 [.005] 3 PLC ± - 4 PLC ± - ANGLES ± 3°		NAME: CONNECTOR ASSEMBLY, DUAL POSN, HIGH SPEED, STANDARD EDGE PRODUCT SPEC: - APPLICATION SPEC: - WEIGHT: -	
MATERIAL: -		FINISH: -		SIZE: A1 CAGE CODE: 00779 DRAWING NO: 5145094	RESTRICTED TO: - SCALE: 4:1 SHEET: 2 OF 3 REV: A
		CUSTOMER DRAWING			



RECOMMENDED MATING BOARD EDGE CONFIGURATION



RECOMMENDED MOUNTING HOLE PATTERN  
(CONNECTOR SIDE SHOWN)



DETAIL H  
SCALE 10:1

THIS DRAWING IS A CONTROLLED DOCUMENT.		DIN	12-29-04	Tyco Electronics Corporation Harrisburg, PA 17105-3608
		A. FERNANDEZ-DUCKS	12-29-04	
DIMENSIONS:		CHK	12-29-04	Tyco Electronics
INCHES		M. PERCHERKE	12-29-04	
TOLERANCES UNLESS OTHERWISE SPECIFIED:		APVD	M. PERCHERKE	CONNECTOR ASSEMBLY, DUAL POSN, HIGH SPEED, STANDARD EDGE
0 PLC ± -		PRODUCT SPEC		
1 PLC ± -		APPLICATION SPEC		RESTRICTED TO
2 PLC ± .13 [0.005]		SIZE	CAGE CODE	
3 PLC ± -		WEIGHT	DRAWING NO	
4 PLC ± -		CUSTOMER DRAWING	A1 00779	
ANGLES ± ±		SCALE	4:1	
FINISH		SHEET	3 OF 3	
		REV	A	