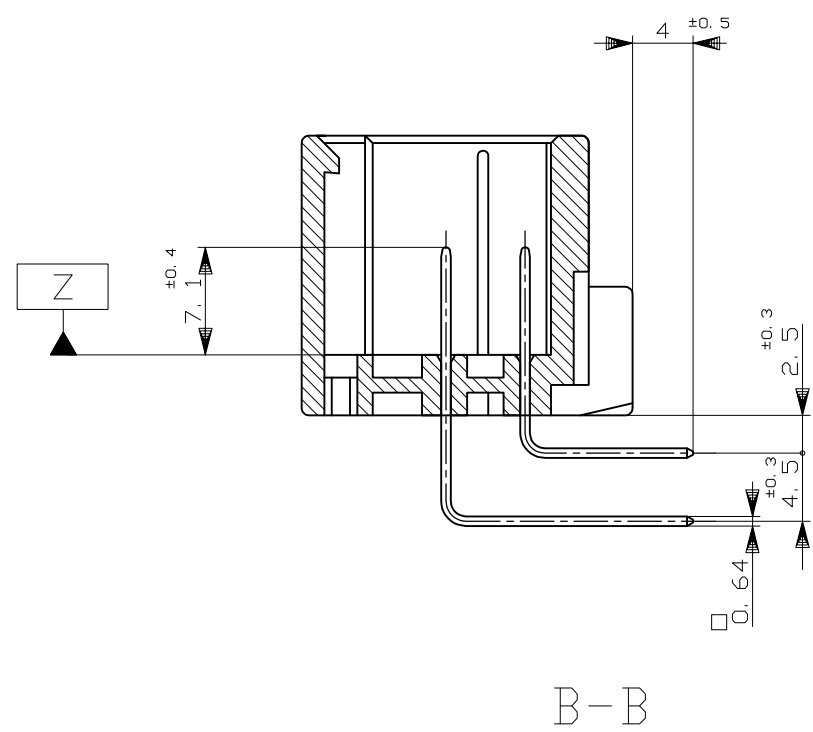
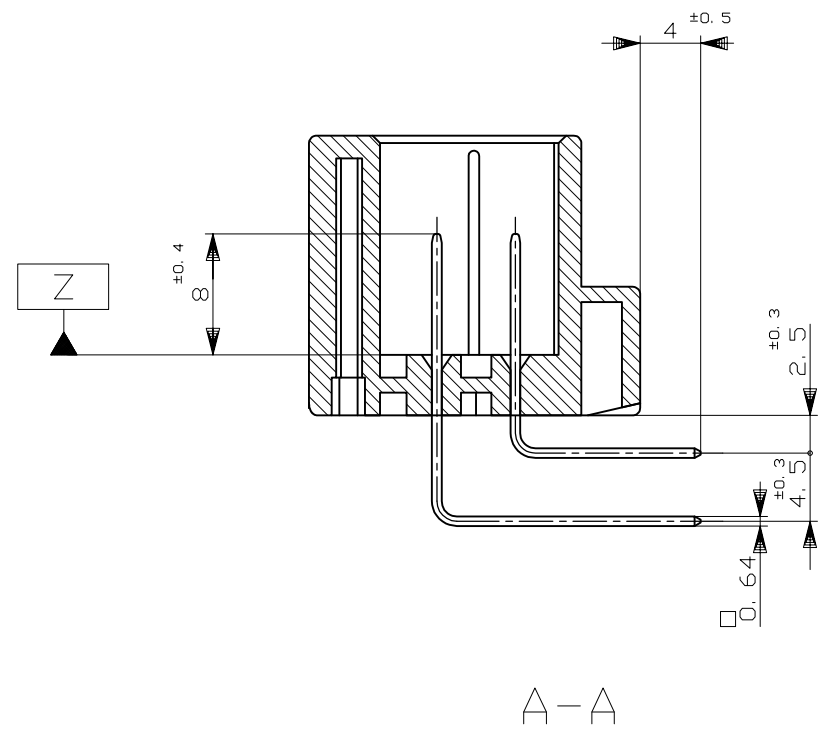
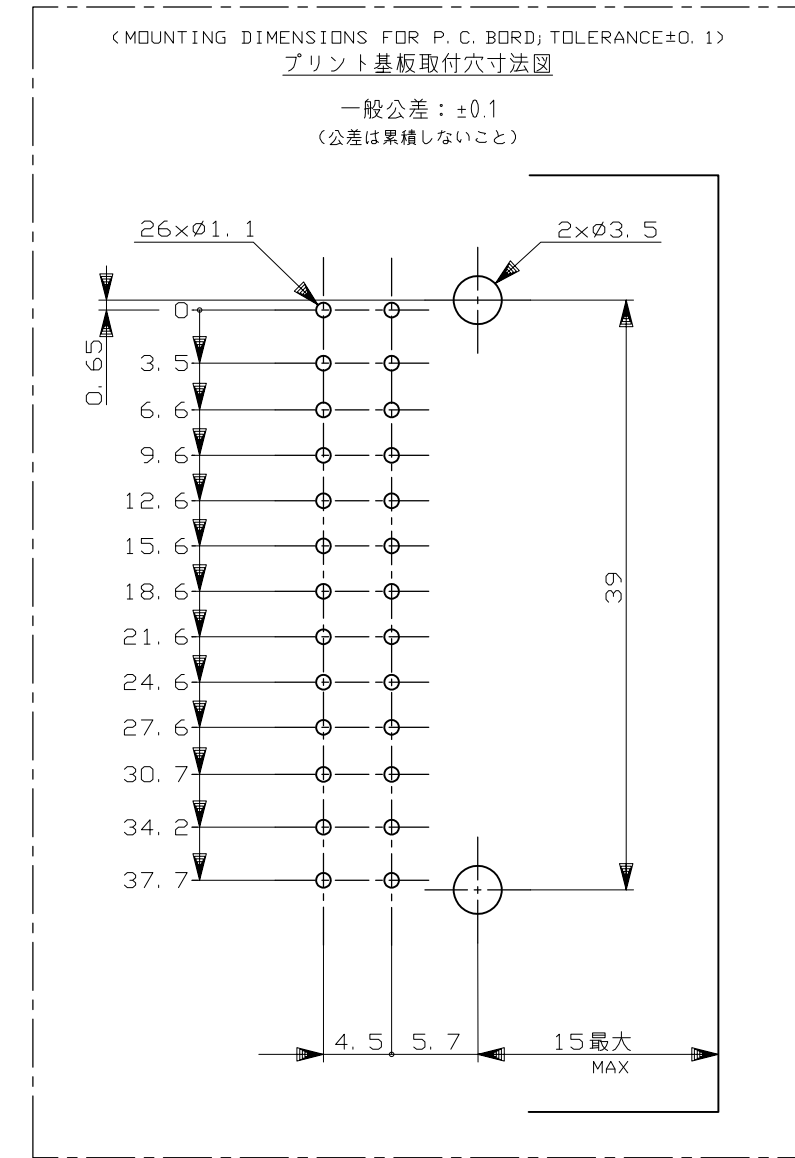
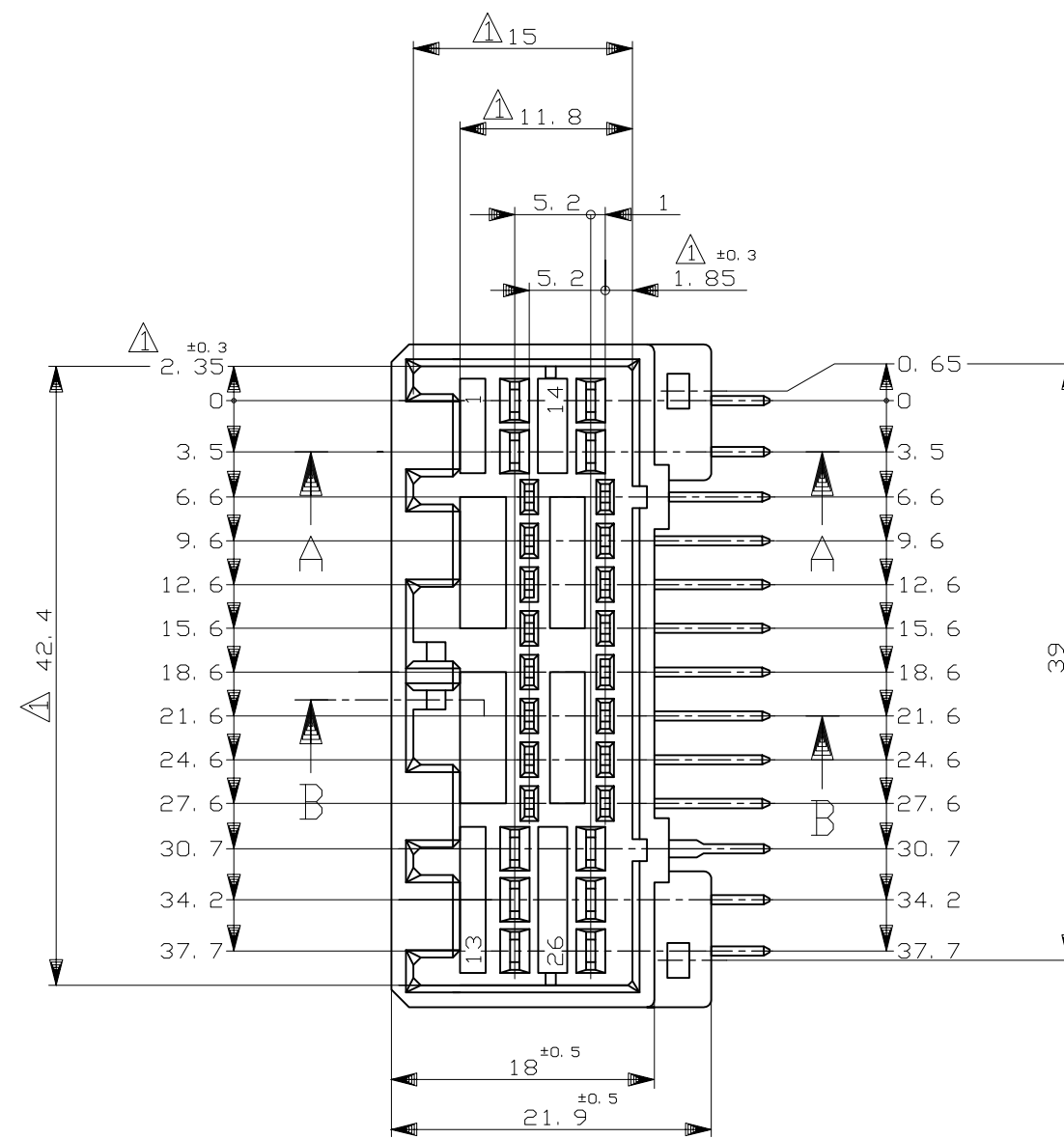
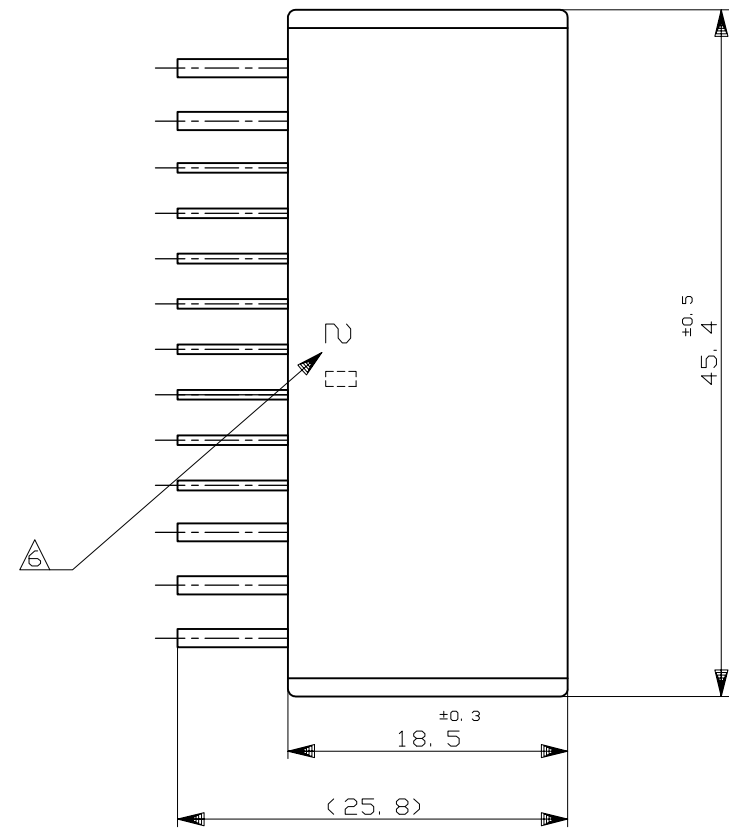
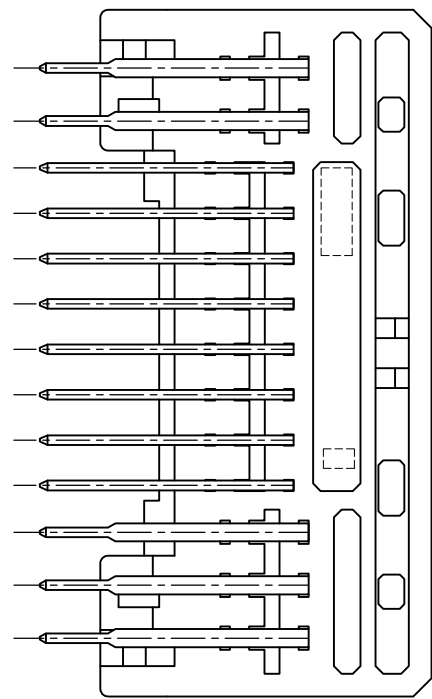


THIS DRAWING IS UNPUBLISHED. RELEASED FOR PUBLICATION
 © COPYRIGHT - By - ALL RIGHTS RESERVED.

LOC	DIST	REVISIONS					
J	-	P	LTR	DESCRIPTION	DATE	DWN	APVD
		C2	REVISED	変更 ECR-15-004544	07APR15	KF	RK



- ① Z面から2mmの範囲で測定
 - 2. 嵌合相手ハウジング型: 175567, 917994
 - 3. 推奨取付ねじ: JIS B1115, B1122 タッピングねじ, なべ2種
呼び径3, 長さ6mm以下 (締付けトルク: 0.4N-m (4kg-cm) 以下)
 - 4. 適用製品規格番号: 108-5280, 108-5342
 - ⑤ 回路番号: 右図参照のこと
 パワー回路 ①~⑩
 シグナル回路 ⑪~⑳
 - ⑥ 適用製品型番のプリフィックス及びIDマークを
カラーホットマークにて表示
- MUST BE KEPT BETWEEN Z AND 2
- 2. THE MATING PLUG HSG.PART NUMBER: 175567, 917994
 - 3. RECOMMENDED MOUNTING SCREW; 3mm DIA, 6mm LENGTH (MAX.)
PAN HEAD, CLASS 2 TAPPING SCREW SPECIFIED IN JIS
B1115, B1122
(TIGHTENING TORQUE; 0.4N-m (4Kg-cm) MAX)
 - 4. APPLICABLE PRODUCT SPEC NO.: 108-5280, 108-5342
 - ⑤ CIRCUIT NUMBER
 POWER CIRCUIT NO. ①~⑩
 SIGNAL CIRCUIT NO. ⑪~⑳
-
- ⑥ INDICATED PREFIX AND ID MARK OF PRODUCT P/N BY HOT MARK

PLC	FINISH OF CONTACT	CONTACT SIDE	POWER CIRCUIT NO.	SIGNAL CIRCUIT NO.	HOUSING COLOR	PART NO
53	SELECTIVE-TIN (MATTE)	CONTACT SIDE	①②④⑤⑥⑦	⑧⑨⑩⑪⑫⑬⑭⑮⑯⑰⑱⑲⑳	BLUE 青色	3-5175569-5
3	TIN-LEAD	CONTACT SIDE	①②④⑤⑥⑦	⑧⑨⑩⑪⑫⑬⑭⑮⑯⑰⑱⑲⑳	BLUE 青色	3-175569-5
2	TIN-LEAD	CONTACT SIDE	③⑧	⑫~⑰, ⑲~⑳	GRAY 灰色	2-175569-6
0	PRE-TINNED 錫メッキ×26	CONTACT SIDE	---	---	BLUE 青色	175569-5
0	PRE-TINNED 錫メッキ×26	CONTACT SIDE	---	---	GRAY 灰色	175569-6
MARKING	SOLDERING SIDE 半田付け部	CONTACT SIDE 接触部側	POWER CIRCUIT NO. パワー回路	SIGNAL CIRCUIT NO. シグナル回路	HOUSING COLOR ハウジング色	PART NO
	FINISH OF CONTACT タブ仕上 (本数)		CIRCUIT NO. OF GOLD PLATED CONTACT 全メッキ端子使用回路番号			

TOLERANCES UNLESS OTHERWISE SPECIFIED.
 一般公差

10±	±0.2
30±	±0.25
100±	±0.3
	±0.3*
ANGLE	±0.3°

THIS DRAWING IS A CONTROLLED DOCUMENT.

DIMENSIONS: 単位: 純 mm	TOLERANCES UNLESS OTHERWISE SPECIFIED. 一般公差	DWN T.SHINOHARA 01JUN11
		CHK K.BETSUI 01JUN11
		APVD K.BETSUI 01JUN11
		PRODUCT SPEC 製品規格
		APPLICATION SPEC 取付適用規格
MATERIAL 材料	FINISH 仕上	WEIGHT
HOUSING: PBT	SEE TABLE 表参照	
CONTACT: BRASS		

TE Connectivity

26POSITION CAP HOUSING ASSEMBLY
 040/070 SERIES HYBRID I/O CONNECTOR

SIZE A2	CAGE CODE 00779	DRAWING NO C=175569	RESTRICTED TO
SCALE 尺度 2:1	SHEET 1 of 1	REV C2	