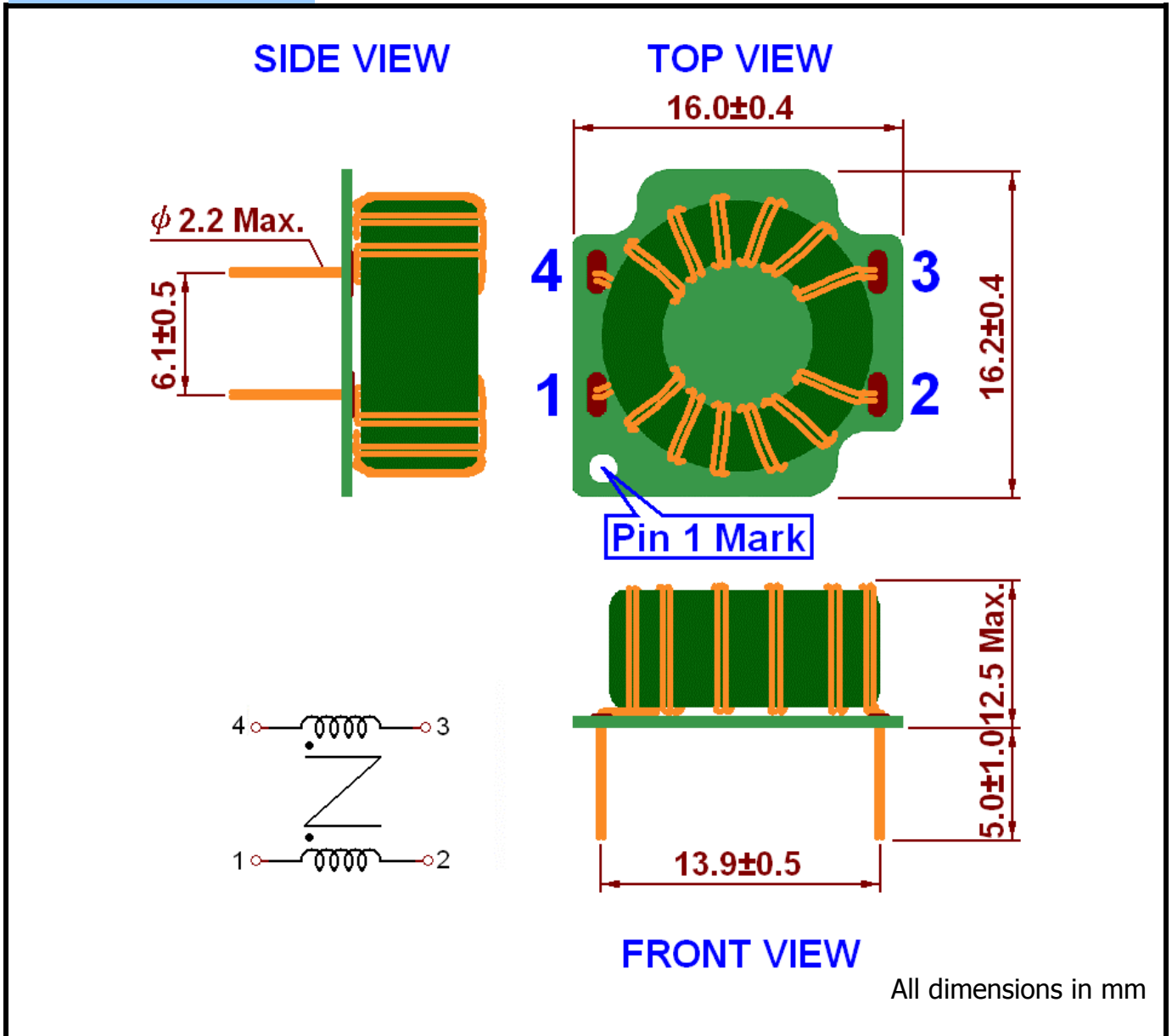


## TCK-092



### SPECIFICATIONS

Inductance	Pin 1-2: 45µH ±35%    Pin 3-4: 45µH ±35%
	Test Condition: 100KHz/100mV Measurement Instrument: HP 4263B LCR Meter
Impedance	DCR(Max): 1.4mΩ
	Measurement Instrument: HIOKI 3540 mΩ HITESTER
Rated Current	IDC(Max): 31.4A
	Measurement Instrument: Agilent 34401A Meter
Rated voltage	500VDC
Operating temperature	-40°C ~ +105°C
Recommended Through Hole	φ 2.4 mm