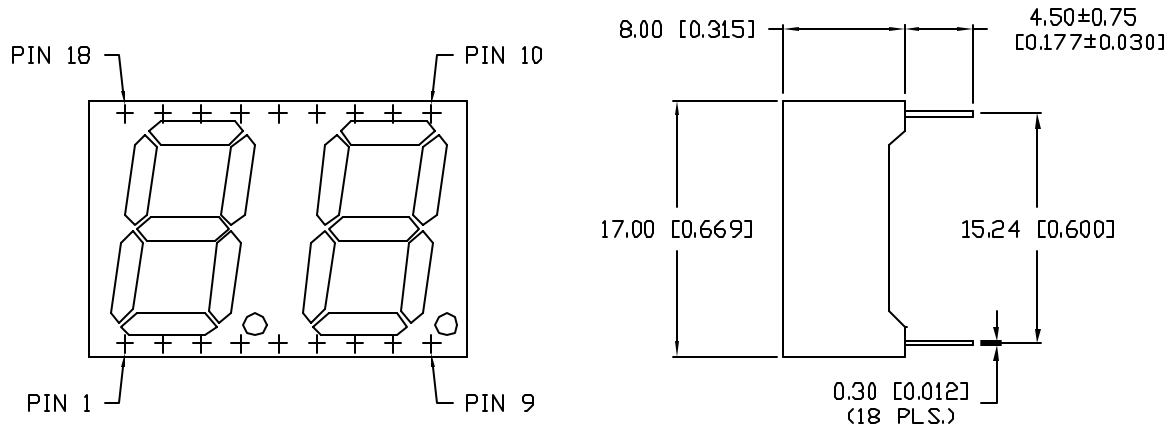


UNCONTROLLED DOCUMENT

|                                |                                     |           |
|--------------------------------|-------------------------------------|-----------|
| (X) PART NUMBER<br>LDD-C5644RI |                                     | REV.<br>A |
| REV.                           | E.C.N. NUMBER AND REVISION COMMENTS | DATE      |
| A                              | E.C.N. #10BRDR. & REDRAWN.          | 2-12-99   |

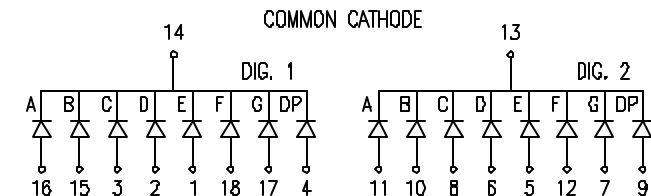
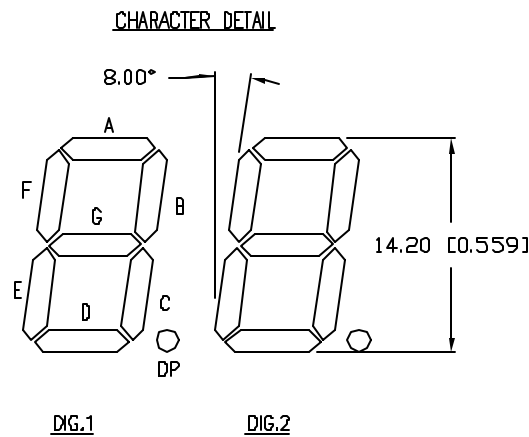
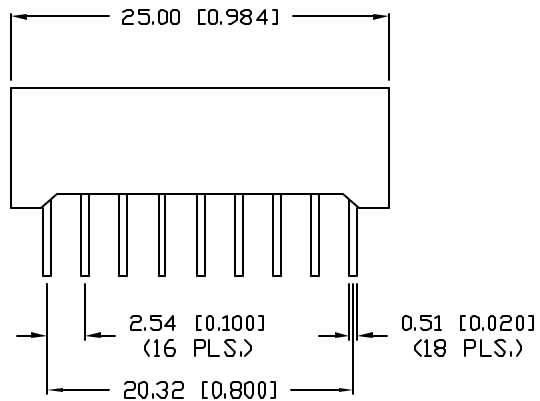


ELECTRO-OPTICAL CHARACTERISTICS  $T_A=25^\circ\text{C}$   $I_f=10\text{mA}$

| PARAMETER       | MIN                  | TYP       | MAX | UNITS          | TEST COND            |
|-----------------|----------------------|-----------|-----|----------------|----------------------|
| PEAK WAVELENGTH |                      | 635 (RED) |     | nm             |                      |
| FORWARD VOLTAGE |                      | 2.0       | 2.5 | $V_f$          |                      |
| REVERSE VOLTAGE | 5.0                  |           |     | $V_r$          | $I_f=100\mu\text{A}$ |
| AXIAL INTENSITY |                      | 3900      |     | $\mu\text{cd}$ | $I_f=10\text{mA}$    |
| EMITTED COLOR:  | RED                  |           |     |                |                      |
| FACE COLOR:     | GRAY                 |           |     |                |                      |
| SEGMENT COLOR:  | MILKY WHITE DIFFUSED |           |     |                |                      |

LIMITS OF SAFE OPERATION AT  $25^\circ\text{C}$  PER CHIP

| PARAMETER                      | MAX        | UNITS                      |
|--------------------------------|------------|----------------------------|
| PEAK FORWARD CURRENT*          | 150        | mA                         |
| STEADY CURRENT                 | 30         | mA                         |
| POWER DISSIPATION              | 105        | mW                         |
| DERATE FROM $25^\circ\text{C}$ | -1.2       | $\text{mW}/^\circ\text{C}$ |
| OPERATING, STORAGE TEMP.       | -40 TO +85 | $^\circ\text{C}$           |
| SOLDERING TEMP.                | +260       | $^\circ\text{C}$           |
| 2.0mm FROM BODY                |            | 3 SEC. MAX                 |



REPLACES PART #: LDD-C544RI

UNCONTROLLED DOCUMENT

\*UNLESS OTHERWISE SPECIFIED TOLERANCE IS  $\pm 0.25\text{mm}$  ( $\pm 0.010^\circ$ )

|           |                            |
|-----------|----------------------------|
| REV.<br>A | PART NUMBER<br>LDD-C5644RI |
|-----------|----------------------------|

**CONFIDENTIAL INFORMATION**  
THE INFORMATION CONTAINED IN THIS DOCUMENT IS THE PROPERTY OF LUMEX INC. EXCEPT AS SPECIFICALLY AUTHORIZED IN WRITING BY LUMEX INC., THE HOLDER OF THIS DOCUMENT SHALL KEEP ALL INFORMATION CONTAINED HEREIN CONFIDENTIAL AND SHALL PROTECT SAME IN WHOLE OR IN PART FROM DISCLOSURE AND DISSEMINATION TO ALL THIRD PARTIES.



290 E. HELLEN ROAD  
PALATINE, ILLINOIS 60067  
PHONE: 1-847-359-2790  
WEB: HTTP://WWW.LUMEX.COM

0.56" SEVEN SEGMENT, DUAL DIGIT DISPLAY,  
635nm RED CHIPS, GRAY FACE WITH WHITE SEGMENTS,  
COMMON CATHODE, RIGHT DECIMAL PLACES.

**RELIABILITY NOTE**  
OUR MANY YEARS OF EXPERIENCE DATA ACCUMULATION INDICATE THAT SOLDER HEAT IS A MAJOR CAUSE OF EARLY AND FUTURE FAILURE. PLEASE PAY ATTENTION TO YOUR SOLDERING PROCESS.

|                 |             |              |               |
|-----------------|-------------|--------------|---------------|
| DRAWN BY:<br>BC | CHECKED BY: | APPROVED BY: | DATE: 4-22-98 |
|                 |             |              | PAGE: 1 OF 1  |
|                 |             |              | SCALE: N/A    |