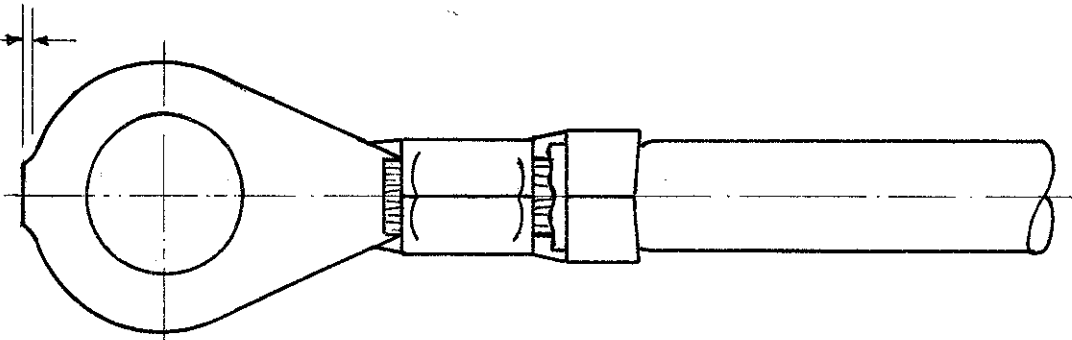


DRAWING MADE IN AMERICAN PROJECTION

NUMBER C-160701

(.020) MAX
0.5



(.171 ± .005) DIA
4.3 ± 0.15 DIA

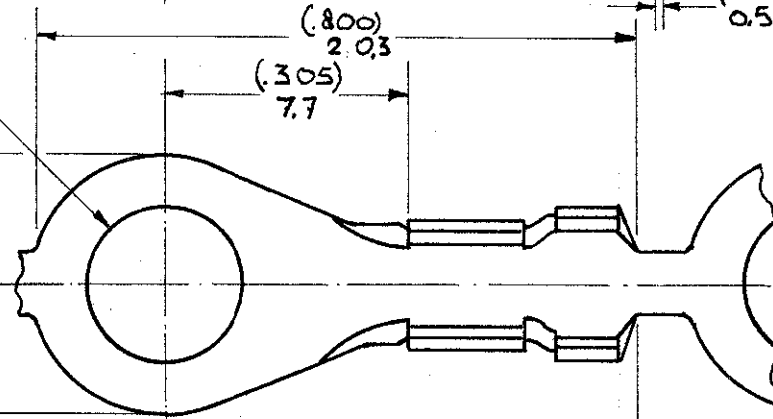
(.342)
8.7



(.800)
2.03

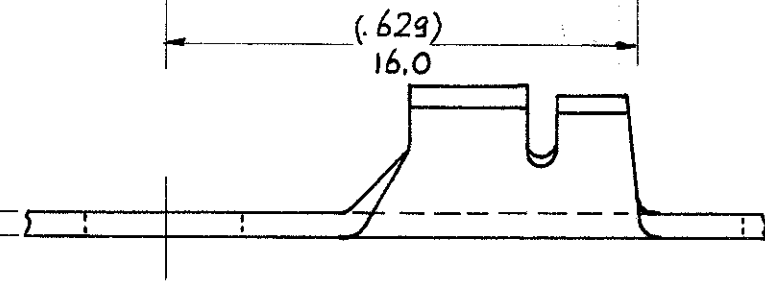
(.305)
7.7

(.020) MAX
0.5



(.629)
16.0

(.030)
0.8



DIMENSIONS IN INCHES (INCHES) IN M.M. DO NOT SCALE PRINT

CUSTOMER COPY FOR REFERENCE ONLY

©1970 BY AMP-HOLLAND N.V. ALL RIGHTS RESERVED A-MP PRODUCTS COVERED BY PATENTS AND/OR PATENTS PENDING.



AMP-HOLLAND N.V.
's-HERTOGENBOSCH
HOLLAND

160701-2	STEEL	NICKEL PLATED
ORDER NO.	MATERIAL	PLATING
DR. BIJNEN	DATE 17-9-70	DE [Signature] DATE 17/9/70
CHK	DATE	APP [Signature] DATE 19-9-70

WIRE-RANGE 18 - 14 AWG 0.8 - 2.1 MM ²	INSUL-RANGE (.100 - .140) 2.54 - 3.56	FIRST USED
SCALE 4:1	LOC H	SIZE A
NO C-160701		REV 0

NAME RINGTONGUE