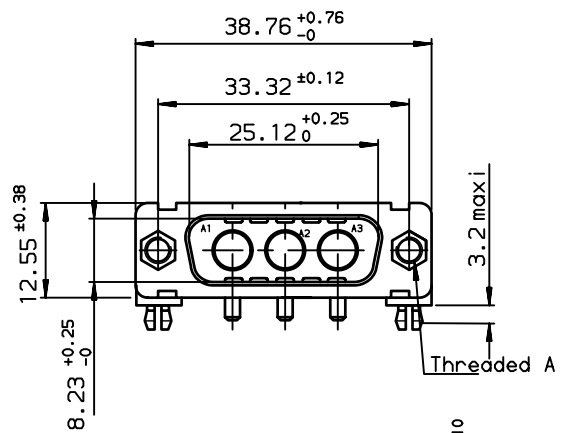
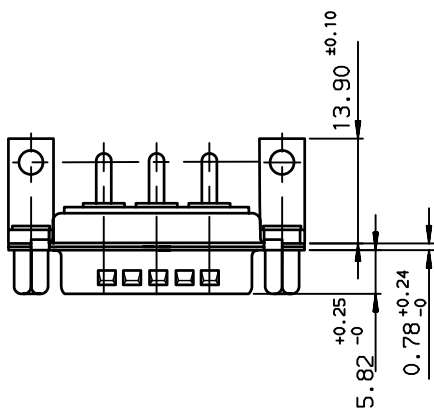
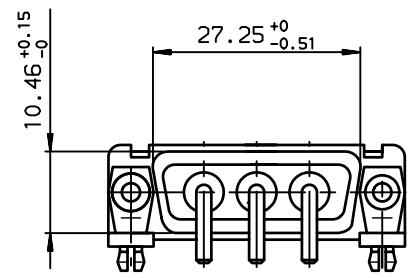
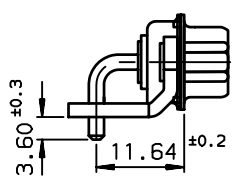


Copyright FCJ



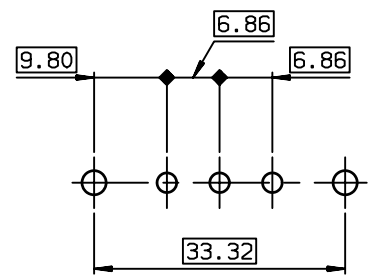
VIEW WITHOUT HARPOON



TIN LEAD PART NUMBER

DAV3W3P500G30	UNC 4.40
PART NUMBER	Threaded A

LAYOUT DIMENSIONS (after plating)
CONNECTOR SIDE VIEW



GENERAL CHARACTERISTICS : SEE DRAWING C01-8639-0001

European Views

www.fciconnect.com		surface ISO 1302 ✓	tolerance std ISO 406 ISO 1101	projection mm
TOLERANCES UNLESS OTHERWISE SPECIFIED				
Dr	JARRY	1996/03/26	ANGULAR	0.X ±0.1
Eng	PESSON	1996/03/26	LINEAR	0.XX ±0.1
Chr	LEGARE	1996/03/26	0.XX' ±2'	0.XXX ±0.1
Appr	LEGARE	1996/03/26	Product family	D-SUB
rev	ecn no	dr	date	size A3
B	-	DEB	2003/09/29	Scale 1.5
C	LS05-001	MPE	2005/03/08	ECN LS07-0080
D	LS06-0095	LGO	2006/06/27	Spec ref -
E	LS07-0080	MPE	2007/03/19	
FCJ		title PIN CONNECTOR FOR POWERS CONTACTS		dwg no C01-8639-1746
		catalog no -		Rev. E
			CUSTOMER	sheet 1 of 1