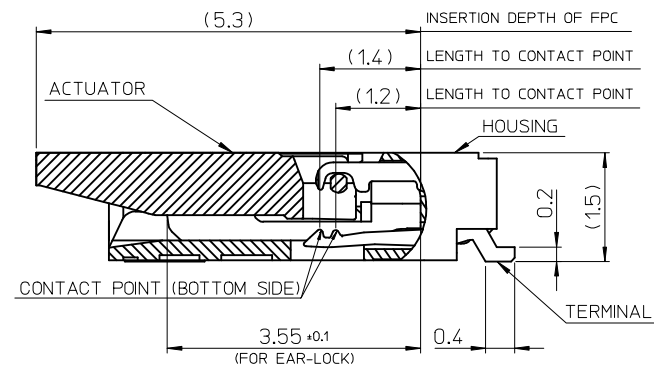
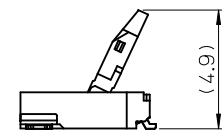


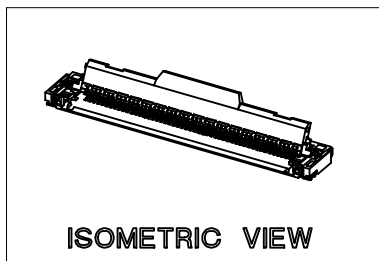
SECTION X-X



SECTION Y-Y



(WHEN ACTUATOR IS OPENED)



ISOMETRIC VIEW

NEW RELEASED
 E.C. NO: KOR2016-0015
 DRAWN: YSK001 2015/07/15
 CHKD: KSKIM 2015/07/15
 APPR: YSKIM02 2015/07/15

QUALITY SYMBOLS
 ▽=0
 ▽=0

GENERAL TOLERANCES (UNLESS SPECIFIED)

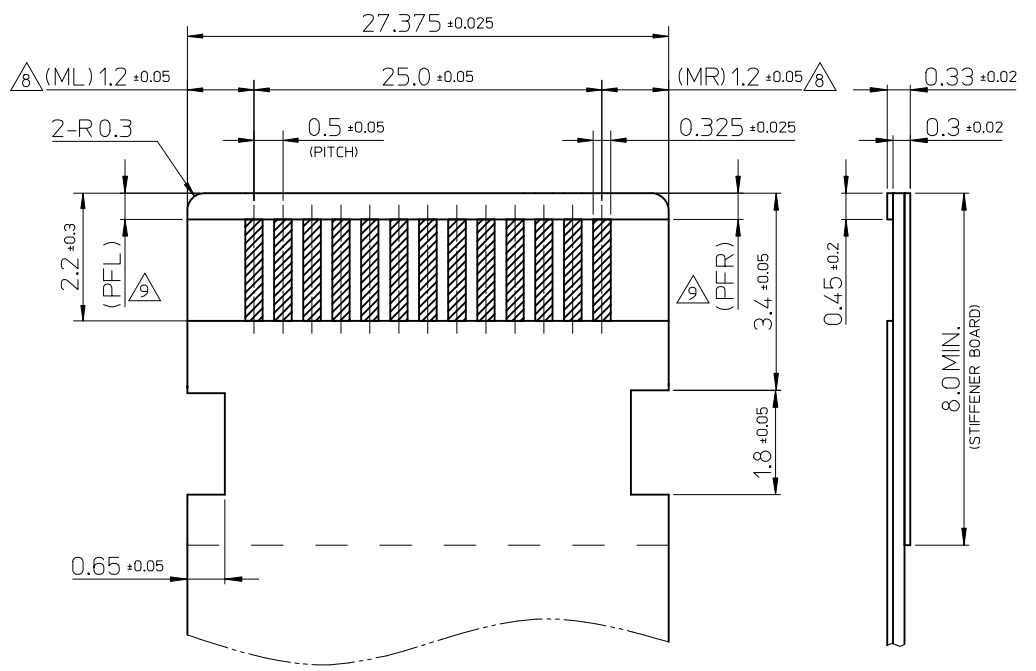
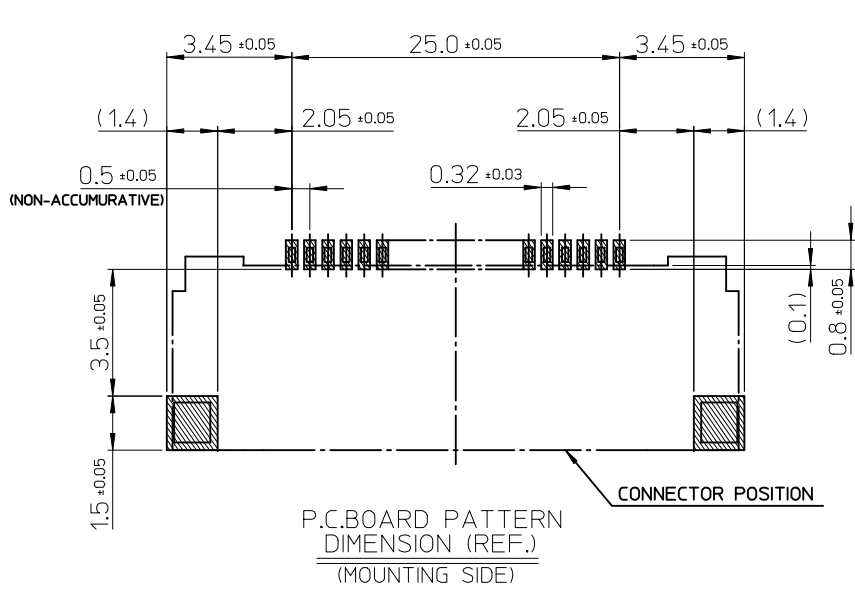
	mm	INCH
4 PLACES	± ---	± ---
3 PLACES	± 0.1	± ---
2 PLACES	± 0.15	± ---
1 PLACE	± 0.2	± ---
ANGULAR ± 1°		

DRAFT WHERE APPLICABLE
 MUST REMAIN WITHIN DIMENSIONS

DIMENSION STYLE		SCALE	DESIGN UNITS
MM ONLY		5:1	METRIC
DRAWN BY	DATE	TITLE	
CHKD BY	DATE	THIRD ANGLE PROJECTION	
APPROVED BY	DATE	MATERIAL NO.	
YSKIM02	2014/09/16	DOCUMENT NO.	

SEE TABLE

1042345117	51
ORDER NO.	CKTS
0.5MM FFC WIDE SLIM CONN 51P (H=1.5, FRONT FLIP) ASSY (2 POINTS CONTACT)	
molex	
SD-104234-001	SHEET NO.
	1 OF 3



NOTES

- MATERIAL
HOUSING LCP
ACTUATOR GLASS FILLED,UL94V-0(NATURAL)
TERMINAL PHOSPHOR BRONZE
FITTING NAIL PHOSPHOR BRONZE
- PLATING
TERMINAL : SELECTIVE GOLD[Au] OVER NICKEL[Ni] PLATING.
CONTACT AREA : GOLD[Au] 0.1 MICROMETER MIN. OVER NICKEL[Ni] 1.0 MICROMETER MIN.(UNDER PLATING)
SOLDER AREA : GOLD[Au] 0.05 MICROMETER MIN. OVER NICKEL[Ni] 1.0 MICROMETER MIN.(UNDER PLATING)
FITTING NAIL : TIN[Sn] OVER NICKEL[Ni] PLATING.
Tin[Sn] 1~3 MICROMETER.
NICKEL[Ni] 1~3 MICROMETER (UNDER PLATING)
- PRODUCT SPECIFICATION : PS-104234-001
PACKING SPECIFICATION : SPK-104234-001
- ACTUATOR IS CLOSED IN THE EMBOSSED PACKING

△ FITTING NAIL FOR PREVENTION OF PEELING OF PCB PATTERN.

- N : CIRCUIT.
- COPLANARITY IS 0.1MAX.

△ I ML-MR I ≤0.05mm
△ I PFL-PFR I ≤0.2mm

APPLICABLE FFC RECOMMENDED DIMENSION

ABOUT FPC/FFC

RECOMMENDED PUNCHER DIRECTION : FROM CONDUCTOR SIDE TO STIFFENER FILM SIDE.
RECOMMENDED CONDUCTOR THICKNESS OF SOFT COPPER FOIL : 35 μm OR 76 μm.

RECOMMENDED MATERIAL/THICKNESS.

STIFFENER FILM : POLYIMIDE
BONDING AGENT : THERMOSETTING BONDING AGENT
BASE FILM THICKNESS : 25 μm

PLEASE PUT APPROPRIATE AMOUNT OF ADHESIVE ON THE CONTACT AREA BECAUSE THE EXTRA ADHESIVE MAY CAUSE THE DEFECT IN ELECTRICAL CONTINUITY.

- PRODUCT SPECIFICATION : PS-104234-001
PACKING SPECIFICATION : SPK-104234-001
- ACTUATOR IS CLOSED IN THE EMBOSSED PACKING

△ FITTING NAIL FOR PREVENTION OF PEELING OF PCB PATTERN.

- N : CIRCUIT.
- COPLANARITY IS 0.1MAX.

△ I ML-MR I ≤0.05mm
△ I PFL-PFR I ≤0.2mm

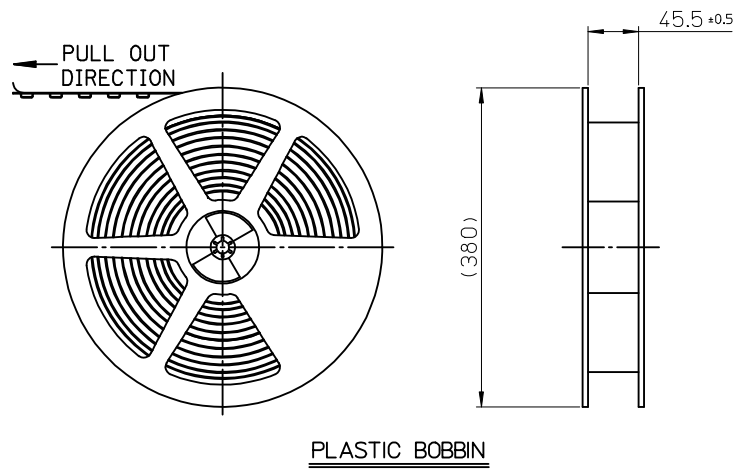
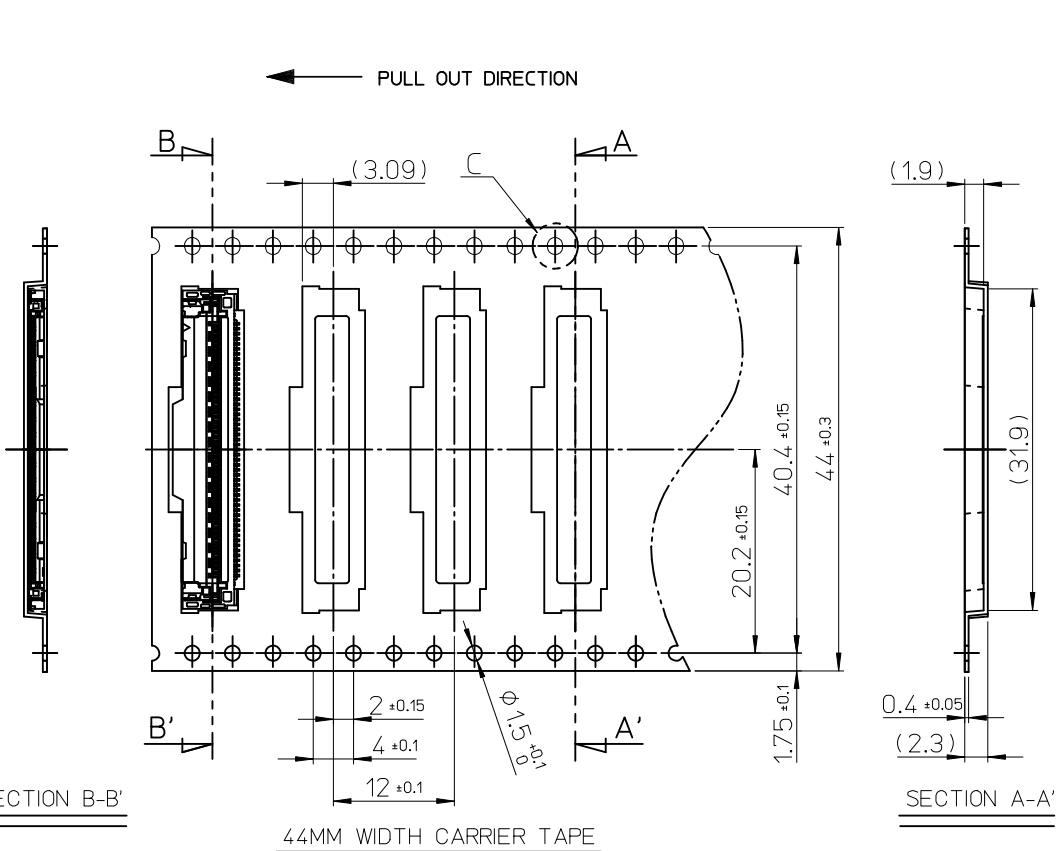
NEW RELEASED EC NO: KOR2016-0015 DRWNSYK001 CHKD:KSKIM APPR:YSKIM02	2015/07/15	2015/07/15	2015/07/15
	DESCRIPTION	QUALITY SYMBOLS	DESCRIPTION
REV	DESCRIPTION	QUALITY SYMBOLS	DESCRIPTION

GENERAL TOLERANCES (UNLESS SPECIFIED)	
mm	INCH
4 PLACES ± ---	± ---
3 PLACES ± 0.1	± ---
2 PLACES ± 0.15	± ---
1 PLACE ± 0.2	± ---
ANGULAR ± 1 °	
DRAFT WHERE APPLICABLE MUST REMAIN WITHIN DIMENSIONS	

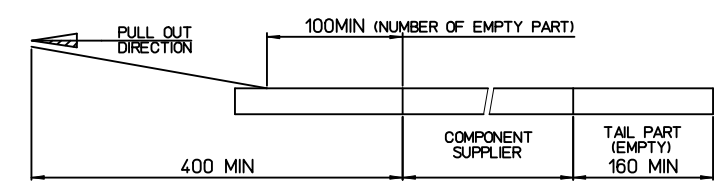
DIMENSION STYLE	
MM ONLY	
DRAWN BY	DATE
KTKIM01	2014/09/15
CHECKED BY	DATE
KSKIM	2014/09/15
APPROVED BY	DATE
YSKIM02	2014/09/16
MATERIAL NO.	DOCUMENT NO.
SEE TABLE	SD-104234-001
SIZE A3	THIS DRAWING CONTAINS INFORMATION THAT IS PROPRIETARY TO MOLEX INCORPORATED AND SHOULD NOT BE USED WITHOUT WRITTEN PERMISSION.

SCALE	DESIGN UNITS
5:1	METRIC
THIRD ANGLE PROJECTION	
TITLE	
0.5MM FFC WIDE SLIM CONN 51P (H=1.5, FRONT FLIP) ASSY (2 POINTS CONTACT)	
SHEET NO.	
2 OF 3	

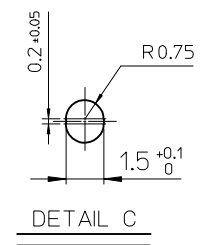
1042345117	51
ORDER NO.	CKTS



- NOTES
1. QUANTITY OF CONNECTORS : 3500PCS/REEL
 2. LEAD LENGTH



3. THIS PRODUCT IS HALOGEN FREE (LV.2)



NEW RELEASED EC NO: KOR2016-0015 DRWN:YSK001 CHKD:KSKIM APPR:YSKIM02	QUALITY SYMBOLS ▽=0 ◻=0	GENERAL TOLERANCES (UNLESS SPECIFIED)		DIMENSION STYLE	SCALE	DESIGN UNITS	1042345117	51	
		mm	INCH	MM ONLY	2:1	METRIC	ORDER NO.	CKTS	
REV B	DESCRIPTION	4 PLACES	± ---	± ---	DRAWN BY	DATE	THIRD ANGLE PROJECTION		
		3 PLACES	± 0.1	± ---	KTKIM01	2014/09/15	0.5MM FFC WIDE SLIM CONN		
		2 PLACES	± 0.15	± ---	CHECKED BY	DATE	51P (H=1.5, FRONT FLIP)		
		1 PLACE	± 0.2	± ---	KSKIM	2014/09/15	ASSY (2 POINTS CONTACT)		
		ANGULAR ± 1 °		APPROVED BY	DATE	molex			
		DRAFT WHERE APPLICABLE MUST REMAIN WITHIN DIMENSIONS		YSKIM02	2014/09/16				
		SEE TABLE		MATERIAL NO.	DOCUMENT NO.	SD-104234-001		SHEET NO.	
		SIZE A3		THIS DRAWING CONTAINS INFORMATION THAT IS PROPRIETARY TO MOLEX INCORPORATED AND SHOULD NOT BE USED WITHOUT WRITTEN PERMISSION					3 OF 3