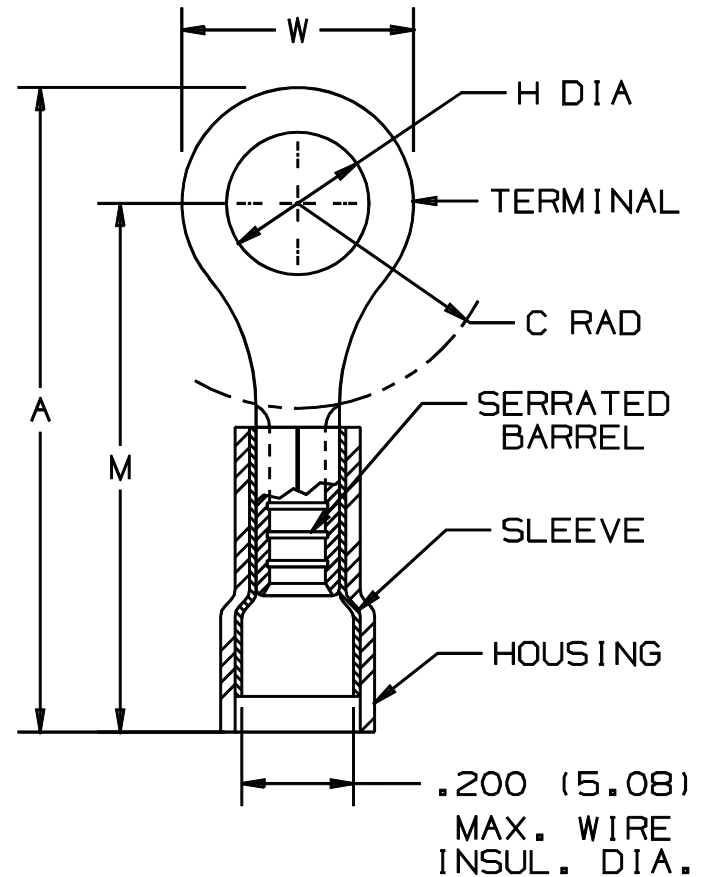


THIS COPY IS PROVIDED ON A RESTRICTED BASIS AND IS NOT TO BE USED IN ANY WAY DETRIMENTAL TO THE INTERESTS OF PANDUIT CORP.

PANDUIT PART NUMBER	PK	STUD SIZE	DIMENSIONS in.				
			A $\pm .03$	W $\pm .01$	C MIN.	M $\pm .03$	H $\pm .01$
PN14-4RX	-C -M	#4	.84 (21.34)	.25 (6.35)	.20 (5.08)	.71 (18.03)	.12 (3.05)
PN14-6RX	-C -M	#6	.93 (23.62)	.31 (7.87)	.25 (6.35)	.77 (19.56)	.15 (3.81)
PN14-8RX	-C -M	#8	.93 (23.62)	.31 (7.87)	.25 (6.35)	.77 (19.56)	.17 (4.32)
PN14-10RX	-C -M	#10	.93 (23.62)	.31 (7.87)	.25 (6.35)	.77 (19.56)	.20 (5.08)
PN14-14RX	-C -M	1/4"	1.13 (28.70)	.46 (11.68)	.38 (9.65)	.90 (22.86)	.27 (6.86)
PN14-56RX	-C -M	5/16"	1.13 (28.70)	.46 (11.68)	.38 (9.65)	.90 (22.86)	.34 (8.64)
PN14-38RX	-L -M	3/8"	1.22 (30.99)	.53 (13.46)	.43 (10.92)	.95 (24.13)	.40 (10.16)

NOTES:

- UL LISTED AND CSA CERTIFIED FOR:
 - 600V. MAX. BLDG WIRE (1000 V. MAX IN SIGNS, FIXTURES & LUMINAIRES).
 - #18-14 AWG SOLID OR STRANDED COPPER WIRE WITH THE CT-550, CT-500, CT-1550, CT-1551 CT-460 (UL ONLY) AND CT-400 (UL ONLY) INSTALLATION TOOLS.
 - #16-14 AWG SOLID OR STRANDED COPPER WIRE WITH THE CT-100 AND CT-250 INSTALLATION TOOLS.
 - 221°F (105°C) MAX TEMP. RATING
- MATERIAL:
 - STAMPING - .032" (.81) THK COPPER, TIN PLATED
 - HOUSING - NYLON, BLUE
 - SLEEVE - BRASS, TIN PLATED
- STRIP LENGTH - 7/32 ^{+1/32} .0
- PACKAGE QTY: -L=50
-C=100
-M=1000
- DIMENSIONS IN BRACKETS ARE IN MILLIMETERS



LISTED
587H
E52164



CERTIFIED
LR31212

A41272_04

04	1/01	KMD		CAD FILE SPEC. WAS N41272AA_PCD_03				<p>TINLEY PARK, ILLINOIS</p> <p>#16-14 BARREL NYLON INSULATED RING TONGUE, .200 (5.08) MAX. WIRE INSULATION DIAMETER</p>
03	4/96	TH	RLS	UPDATED NOTES AMD DIMENSIONS	04387	LA	DBH	
02	7-88	DW		REDRAWN WITH REVISIONS		JRB		
REV	DATE	BY	CHK	DESCRIPTION	ECN #	CUST	PM	DRAWN BY: DAW Ck'D: CJH SCALE: NONE DRAWING NO.: A41272