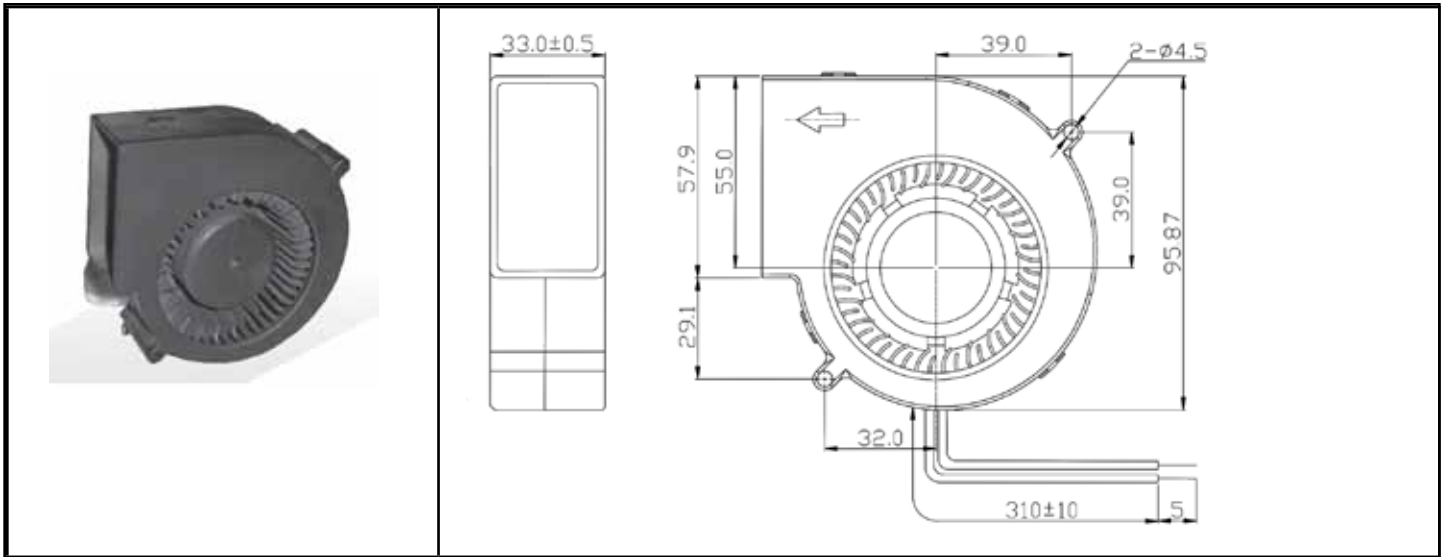


ODB9733 Series



DC side inlet blower
96x33mm (3.8"x 1.3")



Frame	PBT, UL94V-0	Notes	
Impeller	PBT, UL94V-0	Date: 052012	
Connection	Lead wires*	<u>Available Options</u>	
Motor	Brushless DC, IC protected	Tachometer Alarm Thermal Control	
Bearing System	Dual ball bearing		
Insulation Resistance	10M ohm between lead wire and frame (500VDC)	* Connections UL1007, AWG24, ~310mm Red (+) Black (-)	
Dielectric Strength	60 second at 500VAC, max. leakage < 500 MicroAmp		
Temperature Range	-10C ~ +70C		
Life Expectancy	50000 hours (25C L10)		

Model Number	ODB9733-12HB	ODB9733-24HB
Part Number	104141001	104241001
Nominal Voltage	12 VDC	24 VDC
Voltage Range	10.8 ~ 13.2 VDC	21.6 ~ 26.4 VDC
Nominal Current	0.78 A	0.35 A
Input Power	9.36 W	8.40 W
Rated Speed (RPM)	4000	4000
Airflow (CFM)	33	33
Noise Level (dB)	56	56
Max. Static Pressure (" H ₂ O)	1.1	1.1