

PLEASE CHECK WWW.MOLEX.COM FOR LATEST PART INFORMATION

Part Number: [46018-2541](#)
Status: **Active**
Description: Mini-Fit® Plus HMC (High Mating Cycle) Female Crimp Terminal, 22-24 AWG, Reel, Select Gold (Au) Plating with Proprietary Molex Advanced Contact Surface Finish (CSF) in Contact Area

Documents:

[Drawing \(PDF\)](#) [Test Summary TS-46018-001 \(PDF\)](#)
[Packaging Specification PK-46018-001 \(PDF\)](#) [RoHS Certificate of Compliance \(PDF\)](#)

General

Product Family	Crimp Terminals
Series	46018
Application	Power
Comments	Current Rating = 5A Max. Using 22 AWG Wire and 4A Max. Using 24 AWG Wire
Crimp Quality Equipment	Yes
Packaging Alternative	46018-2542 (Loose)
Product Name	Mini-Fit® Plus HMC
UPC	822350560450

Physical

Gender	Female
Material - Metal	Copper Alloy
Material - Plating Mating	Gold
Material - Plating Termination	Tin
Net Weight	0.150/g
Packaging Type	Reel
Plating min - Mating	0.051µm
Plating min - Termination	2.540µm
Termination Interface: Style	Crimp or Compression
Wire Insulation Diameter	1.20-1.80mm
Wire Size AWG	22, 24
Wire Size mm²	N/A

Electrical

Current - Maximum per Contact	13A
Voltage - Maximum	600V

Material Info

Reference - Drawing Numbers

Packaging Specification	PK-46018-001
Sales Drawing	SD-46018-001
Test Summary	TS-46018-001

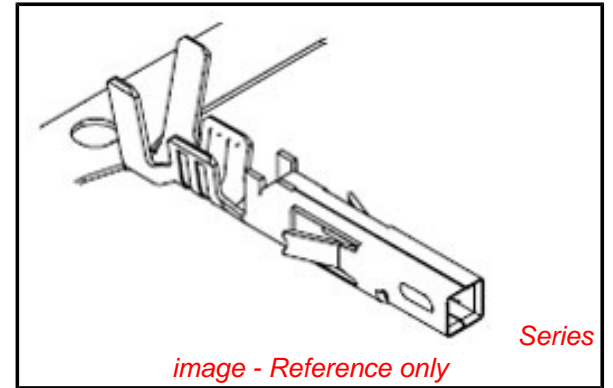


image - Reference only

EU RoHS

ELV and RoHS Compliant

REACH SVHC

Not Reviewed

Low-Halogen Status

Low-Halogen

China RoHS



Need more information on product environmental compliance?

Email productcompliance@molex.com
 For a multiple part number RoHS Certificate of Compliance, [click here](#)

Please visit the [Contact Us](#) section for any non-product compliance questions.

Search Parts in this Series

46018Series

Use With

5557 Mini-Fit Jr.™ Receptacles, 30067 Mini-Fit® TPA Receptacles, 42474 Mini-Fit® BMI Panel Mount Receptacles, 44516 Mini-Fit® BMI Panel Mount Slide-N-Lock Receptacles

Application Tooling | FAQ

Tooling specifications and manuals are found by selecting the products below. Crimp Height Specifications are then contained in the Application Tooling Specification document.

Global

Description	Product #
FineAdjust™ Applicator for Insulation OD 1.30-1.50mm - 22-28 AWG	0639002700
FineAdjust™ Applicator for Insulation OD	0639020200

1.10-1.30mm - 22-28
AWG
FineAdjust™ 0639023800
Applicator for
Insulation OD
0.95-1.08mm - 22-28
AWG
Extraction Tool 0011030044
Hand Crimp Tool for 0638191000
Crimp Terminals

This document was generated on 04/12/2013

PLEASE CHECK WWW.MOLEX.COM FOR LATEST PART INFORMATION