



FCIconnect.com

Copyright FCI

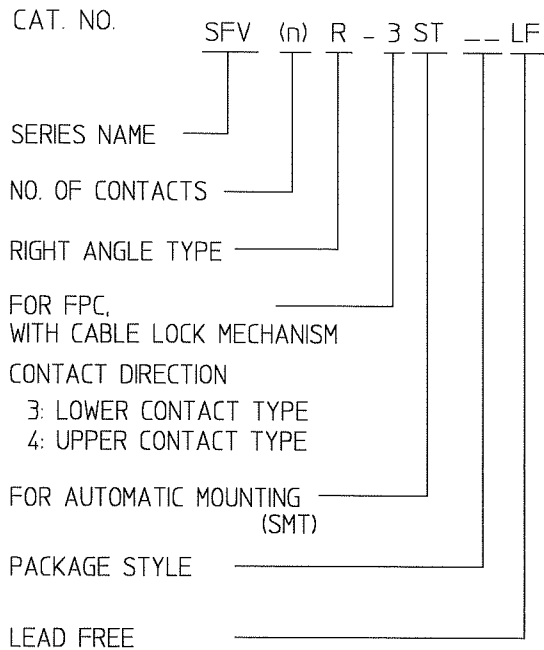
List of "SFV\_\_R-3/4STE1LF" customer document

DOCUMENT NO.	LIST
SC-SFV04	SPEC.
JSA96151	CAT.NO.TABLE FOR 0.5mm CONTACT SPACING CONNECTOR (SFV__R-3/4ST_LF)
JSA96152	CONNECTOR USED FOR FPC WITH 0.5mm CONTACT SPACING (SFV__R-3ST_LF)
JSA96153	CONNECTOR USED FOR FPC WITH 0.5mm CONTACT SPACING (SFV__R-4ST_LF)
JSA96154	CAT.NO.TABLE FOR PLASTIC TAPE PACKAGED 0.5mm CONTACT SPACING CONNECTOR (SFV__R-3/4STE1LF)
JSA96155	PLASTIC TAPE PACKAGED 0.5mm CONTACT SPACING CONNECTOR (SFV__R-3STE1LF)
JSA96156	PLASTIC TAPE PACKAGED 0.5mm CONTACT SPACING CONNECTOR (SFV__R-4STE1LF)
JSA92606	RECOMMENDED CABLE (FPC) (SFV__R-3/4ST_)
BJM-SFV102	HANDLING PROCEDURES

mat'l. code				surface <input checked="" type="checkbox"/> ISO 1302 <input type="checkbox"/> tolerance <input type="checkbox"/> ISO 406 <input type="checkbox"/> ISO 1101		projection		product family 58EF	
ltr	ecn no	dr	date	tolerances unless otherwise specified		 		title	
A	J04-0462	H.T	'04/12/17	angles	linear			0.5mm SPACING FPC CONNECTOR DOCUMENT LIST	
B	J05-0227	H.T	'05/4/14					(Cat. No. : SFV__R-3/4STE1LF)	
C	J06-0372	H.T	'06/9/17			scale X		dwg no sheet 1 of 1 size	
				dr	<i>H. Sathyan</i>	9/7/06	JSA 96150		A4
				enr	<i>H. Sathyan</i>	9/7/06	type Product Customer Drawing		
				chr	<i>R. Shoupe</i>	4/8/06			
				appd	<i>S. Sathyan</i>	8/11/06			
sheet index	revision sheet	C	1						Rev. C

CAT. NO. & DIMENSIONS

NO. OF CONTACTS (n)	CAT. NO.	DIMENSIONS (NOTE2)			
		A ± 0.2	B ± 0.2	C ± 0.1	D ± 0.1
4	SFV 4R-3/4ST__LF	7.5	5.9	1.5	1.6
5	SFV 5R-3/4ST__LF	8.0	6.4	2.0	2.1
6	SFV 6R-3/4ST__LF	8.5	6.9	2.5	2.6
7	SFV 7R-3/4ST__LF	9.0	7.4	3.0	3.1
8	SFV 8R-3/4ST__LF	9.5	7.9	3.5	3.6
9	SFV 9R-3/4ST__LF	10.0	8.4	4.0	4.1
10	SFV10R-3/4ST__LF	10.5	8.9	4.5	4.6
11	SFV11R-3/4ST__LF	11.0	9.4	5.0	5.1
12	SFV12R-3/4ST__LF	11.5	9.9	5.5	5.6
13	SFV13R-3/4ST__LF	12.0	10.4	6.0	6.1
14	SFV14R-3/4ST__LF	12.5	10.9	6.5	6.6
15	SFV15R-3/4ST__LF	13.0	11.4	7.0	7.1
16	SFV16R-3/4ST__LF	13.5	11.9	7.5	7.6
17	SFV17R-3/4ST__LF	14.0	12.4	8.0	8.1
18	SFV18R-3/4ST__LF	14.5	12.9	8.5	8.6
19	SFV19R-3/4ST__LF	15.0	13.4	9.0	9.1
20	SFV20R-3/4ST__LF	15.5	13.9	9.5	9.6
21	SFV21R-3/4ST__LF	16.0	14.4	10.0	10.1
22	SFV22R-3/4ST__LF	16.5	14.9	10.5	10.6
23	SFV23R-3/4ST__LF	17.0	15.4	11.0	11.1
24	SFV24R-3/4ST__LF	17.5	15.9	11.5	11.6
25	SFV25R-3/4ST__LF	18.0	16.4	12.0	12.1
26	SFV26R-3/4ST__LF	18.5	16.9	12.5	12.6
27	SFV27R-3/4ST__LF	19.0	17.4	13.0	13.1
28	SFV28R-3/4ST__LF	19.5	17.9	13.5	13.6
29	SFV29R-3/4ST__LF	20.0	18.4	14.0	14.1
30	SFV30R-3/4ST__LF	20.5	18.9	14.5	14.6
31	SFV31R-3/4ST__LF	21.0	19.4	15.0	15.1
32	SFV32R-3/4ST__LF	21.5	19.9	15.5	15.6
33	SFV33R-3/4ST__LF	22.0	20.4	16.0	16.1
34	SFV34R-3/4ST__LF	22.5	20.9	16.5	16.6
35	SFV35R-3/4ST__LF	23.0	21.4	17.0	17.1

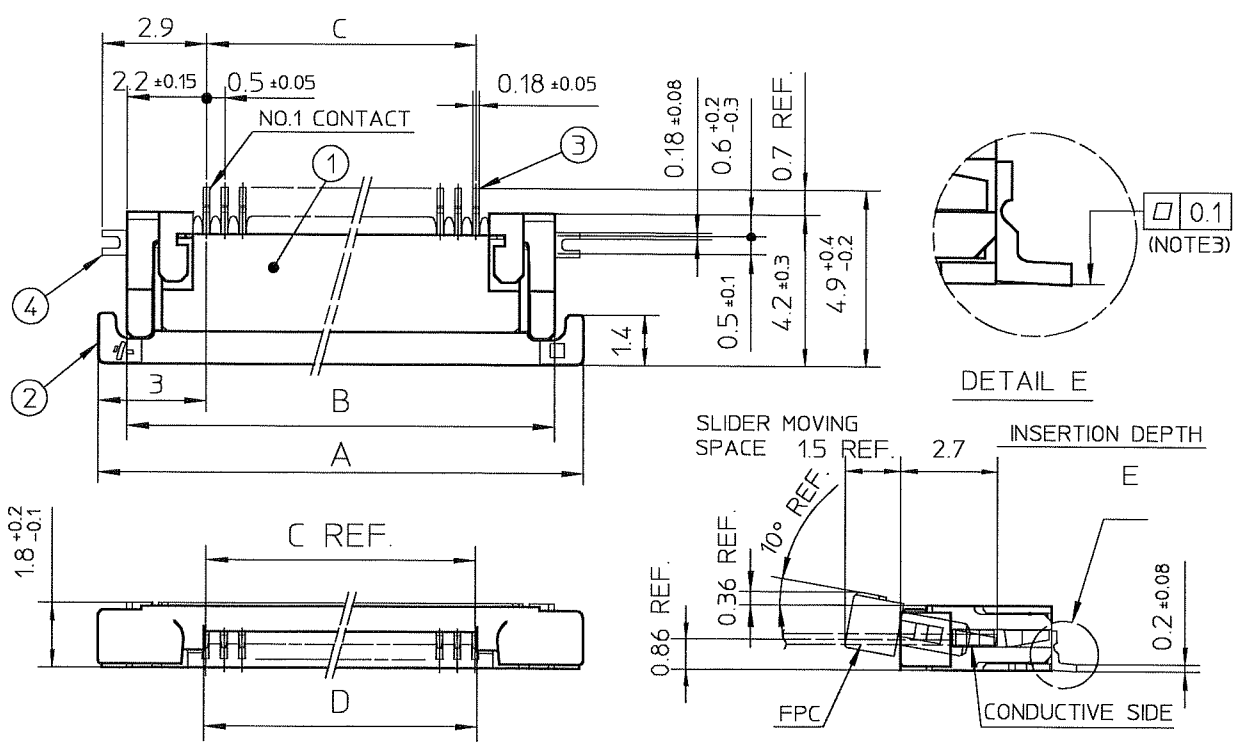


NOTES

1. THIS PRODUCT IS THE CONNECTOR USED FOR FPC AND COPEs WITH AUTOMATIC MOUNTING (SMT).
2. SEE PART DRAWINGS FOR DIMENSIONS A-D.
3. THIS PRODUCT IS THE CONNECTOR WITH CABLE LOCK MECHANISM.

mat'l. code				surface ISO 1302 ✓		tolerance ISO 406 ISO 1101		projection		product family 58EF			
litr				ecn no		dr		date		tolerances unless otherwise specified		title	
A				J04-0462		H.T		'04/12/17		angles		CAT. NO. TABLE FOR 0.5 mm CONTACT SPACING CONNECTOR (Cat. No. : SFV__R-3/4ST__LF)	
B				J05-0227		H.T		'05/4/14		linear		scale X	
C				J06-0372		H.T		'06/9/17		dr		sheet 1 of 1 size	
										engr		JSA 96151 A4	
										chr		type Product Customer Drawing	
										appd			
sheet index		revision sheet		C		1						Rev. C	

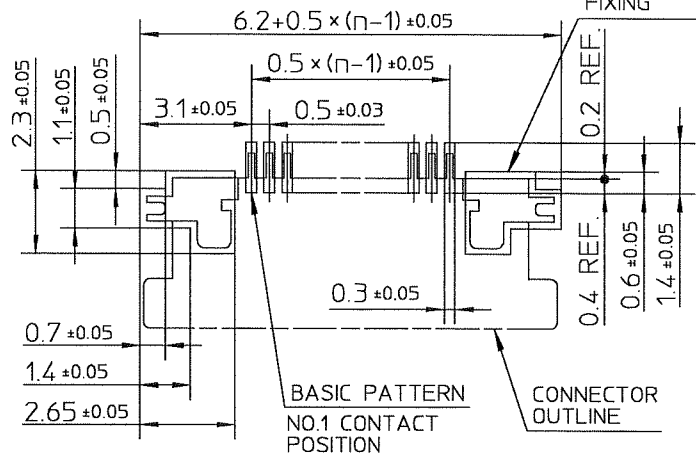
SC-SFV04 form: A4 JSA96152, 96153, 96154, 96155, 96156, 92606



PT. NO.	PARTS NAME	MATERIAL	Q'TY	NOTE
1	HOUSING	POLYAMIDE RESIN GLASS REINFORCED (UL94V-0)	1	COLOR : BLACK
2	SLIDER	PPS RESIN GLASS REINFORCED (UL94V-0)	1	COLOR : BLACK
3	CONTACT	PHOSPHOR BRONZE	n	PLATING : MATTE PURE TIN NI UNDER PLATED (LEAD FREE)
4	MOUNTING PLATE		2	

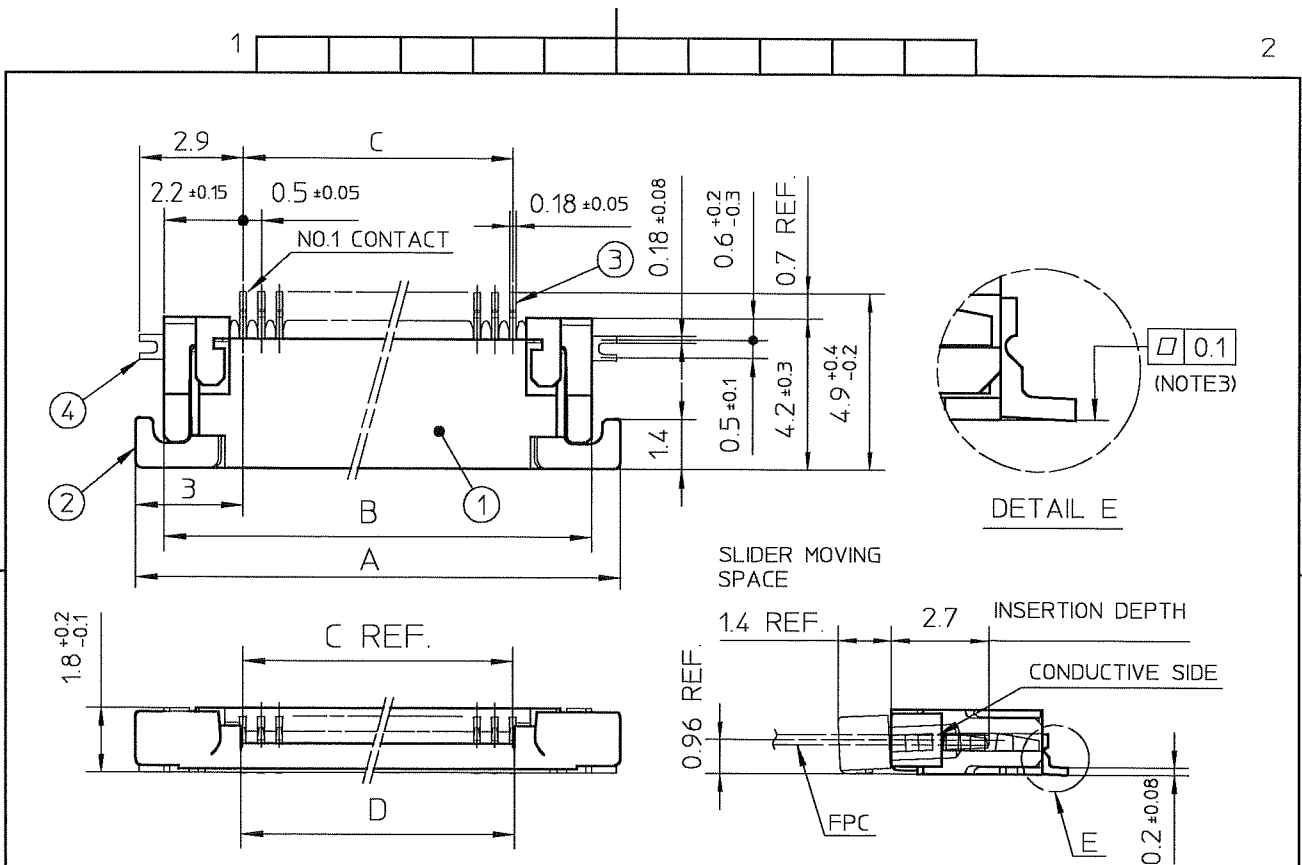
RECOMMENDED PC BOARD LAYOUT  
(COMPONENT SIDE)

PATTERN FOR MOUNTING PLATE  
FIXING



- NOTES
1. THIS PRODUCT IS THE CONNECTOR USED FOR FPC/FFC AND COPES WITH AUTOMATIC MOUNTING (SMT).
  2. THIS PRODUCT IS LOWER CONTACT TYPE CONNECTOR WITH CABLE LOCK MECHANISM.
  3. FLATNESS OF CONTACT TERMINAL AND MOUNTING PLATE MUST BE WITHIN TOLERANCE IN E PORTION DETAILED DRAWING.
  4. THIS PRODUCT MEETS EUROPEAN UNION DIRECTIVES AND OTHER COUNTRY REGULATIONS AS DESCRIBED IN GS-22-008.
  5. THE HOUSING WILL WITHSTAND EXPOSURE TO 260°C PEAK TEMPERATURE FOR 10 SECONDS IN A REFLOW SOLDERING OVEN.

mat'l. code			surface ISO 1302 ✓		tolerance ISO 406 ISO 1101		projection		product family 58EF	
ltr	ecn no	dr	date		tolerances unless otherwise specified		title		CONNECTION USED FOR FPC WITH 0.5 mm CONTACT SPACING (Cat. No. : SFV__R-3ST__LF)	
A	J04-0462	H.T	'04/12/17		angles linear ±0.2		scale X		sheet 1 of 1 size A4	
B	J05-0227	H.T	'05/4/14						sheet 1 of 1 size A4	
C	J05-0710	H.T	'05/10/21						sheet 1 of 1 size A4	
D	J06-0064	H.T	'06/2/23		dr				sheet 1 of 1 size A4	
E	J06-0372	H.T	'06/9/17		engr				sheet 1 of 1 size A4	
					chr				sheet 1 of 1 size A4	
sheet index			revision sheet		E 1				Rev. E	

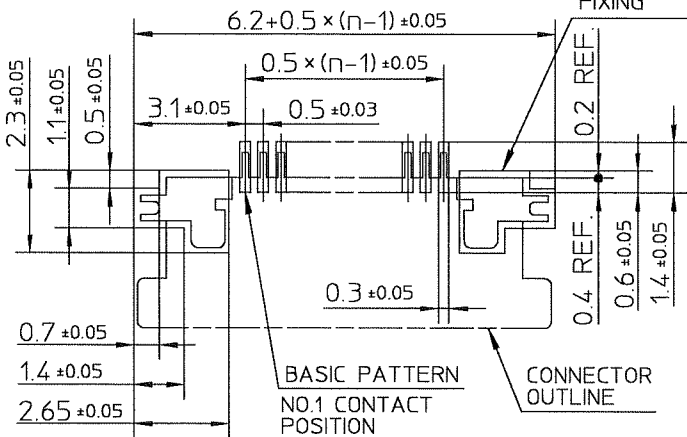


PT. NO.	PARTS NAME	MATERIAL	Q'TY	NOTE
1	HOUSING	POLYAMIDE RESIN GLASS REINFORCED (UL94V-0)	1	COLOR : BLACK
2	SLIDER	PPS RESIN GLASS REINFORCED (UL94V-0)	1	COLOR : BLACK
3	CONTACT	PHOSPHOR BRONZE	n	PLATING : MATTE PURE TIN Ni UNDER PLATED (LEAD FREE)
4	MOUNTING PLATE		2	

n : NO. OF CONTACTS

RECOMMENDED PC BOARD LAYOUT  
(COMPONENT SIDE)

PATTERN FOR  
MOUNTING PLATE  
FIXING



NOTES

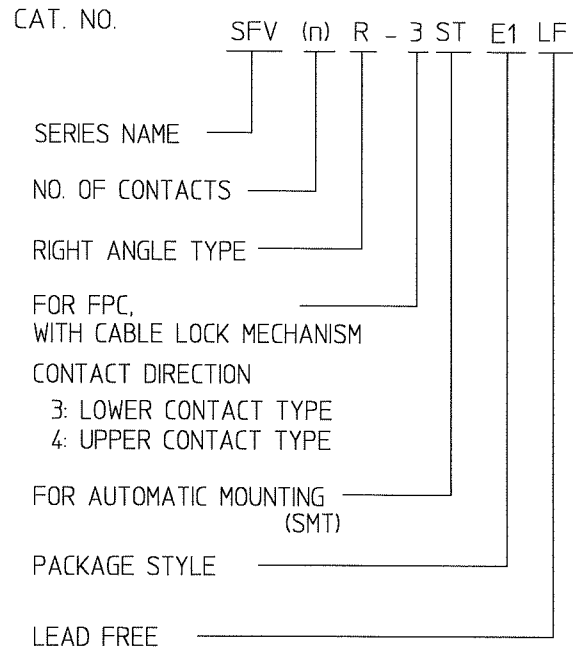
- THIS PRODUCT IS THE CONNECTOR USED FOR FPC/FFC AND COPES WITH AUTOMATIC MOUNTING (SMT).
- THIS PRODUCT IS UPPER CONTACT TYPE CONNECTOR WITH CABLE LOCK MECHANISM.
- FLATNESS OF CONTACT TERMINAL AND MOUNTING PLATE MUST BE WITHIN TOLERANCE IN E PORTION DETAILED DRAWING.
- THIS PRODUCT MEETS EUROPEAN UNION DIRECTIVES AND OTHER COUNTRY REGULATIONS AS DESCRIBED IN GS-22-008.
- THE HOUSING WILL WITHSTAND EXPOSURE TO 260°C PEAK TEMPERATURE FOR 10 SECONDS IN A REFLOW SOLDERING OVEN.

mat'l. code			surface ISO 1302 ✓		tolerance ISO 406 ISO 1101		projection		product family 58EF	
ltr	ecn no	dr	date		tolerances unless otherwise specified		title		CONNECTION USED FOR FPC WITH 0.5 mm CONTACT SPACING (Cat. No. : SFV_R-4ST_LF)	
A	J04-0462	H.T	'04/12/17		angles linear ±0.2		scale X		sheet 1 of 1 size A4	
B	J05-0227	H.T	'05/4/14		linear		FCJ		JSA 96153	
C	J05-0710	H.T	'05/10/21		dr		9/7/06		type Product Customer Drawing	
D	J06-0064	H.T	'06/2/23		enr		9/7/06			
E	J06-0372	H.T	'06/9/17		chr		9/8/06			
					appd		9/11/06			
sheet index	revision sheet	E	1						Rev. E	

SC-SFV04 JSA96151 form: A4

CAT. NO. & DIMENSIONS

NO. OF CONTACTS (n)	CAT. NO.	DIMENSIONS (NOTE3)		
		F ± 5	G ± 0.3	H ± 0.1
4	SFV 4R-3/4STE1LF	20.4	16	—
5	SFV 5R-3/4STE1LF	20.4	16	—
6	SFV 6R-3/4STE1LF	20.4	16	—
7	SFV 7R-3/4STE1LF	28.4	24	—
8	SFV 8R-3/4STE1LF	28.4	24	—
9	SFV 9R-3/4STE1LF	28.4	24	—
10	SFV10R-3/4STE1LF	28.4	24	—
11	SFV11R-3/4STE1LF	28.4	24	—
12	SFV12R-3/4STE1LF	28.4	24	—
13	SFV13R-3/4STE1LF	28.4	24	—
14	SFV14R-3/4STE1LF	28.4	24	—
15	SFV15R-3/4STE1LF	28.4	24	—
16	SFV16R-3/4STE1LF	28.4	24	—
17	SFV17R-3/4STE1LF	28.4	24	—
18	SFV18R-3/4STE1LF	28.4	24	—
19	SFV19R-3/4STE1LF	28.4	24	—
20	SFV20R-3/4STE1LF	28.4	24	—
21	SFV21R-3/4STE1LF	28.4	24	—
22	SFV22R-3/4STE1LF	28.4	24	—
23	SFV23R-3/4STE1LF	36.4	32	28.4
24	SFV24R-3/4STE1LF	36.4	32	28.4
25	SFV25R-3/4STE1LF	36.4	32	28.4
26	SFV26R-3/4STE1LF	36.4	32	28.4
27	SFV27R-3/4STE1LF	36.4	32	28.4
28	SFV28R-3/4STE1LF	36.4	32	28.4
29	SFV29R-3/4STE1LF	36.4	32	28.4
30	SFV30R-3/4STE1LF	36.4	32	28.4
31	SFV31R-3/4STE1LF	48.4	44	40.4
32	SFV32R-3/4STE1LF	48.4	44	40.4
33	SFV33R-3/4STE1LF	48.4	44	40.4
34	SFV34R-3/4STE1LF	48.4	44	40.4
35	SFV35R-3/4STE1LF	48.4	44	40.4

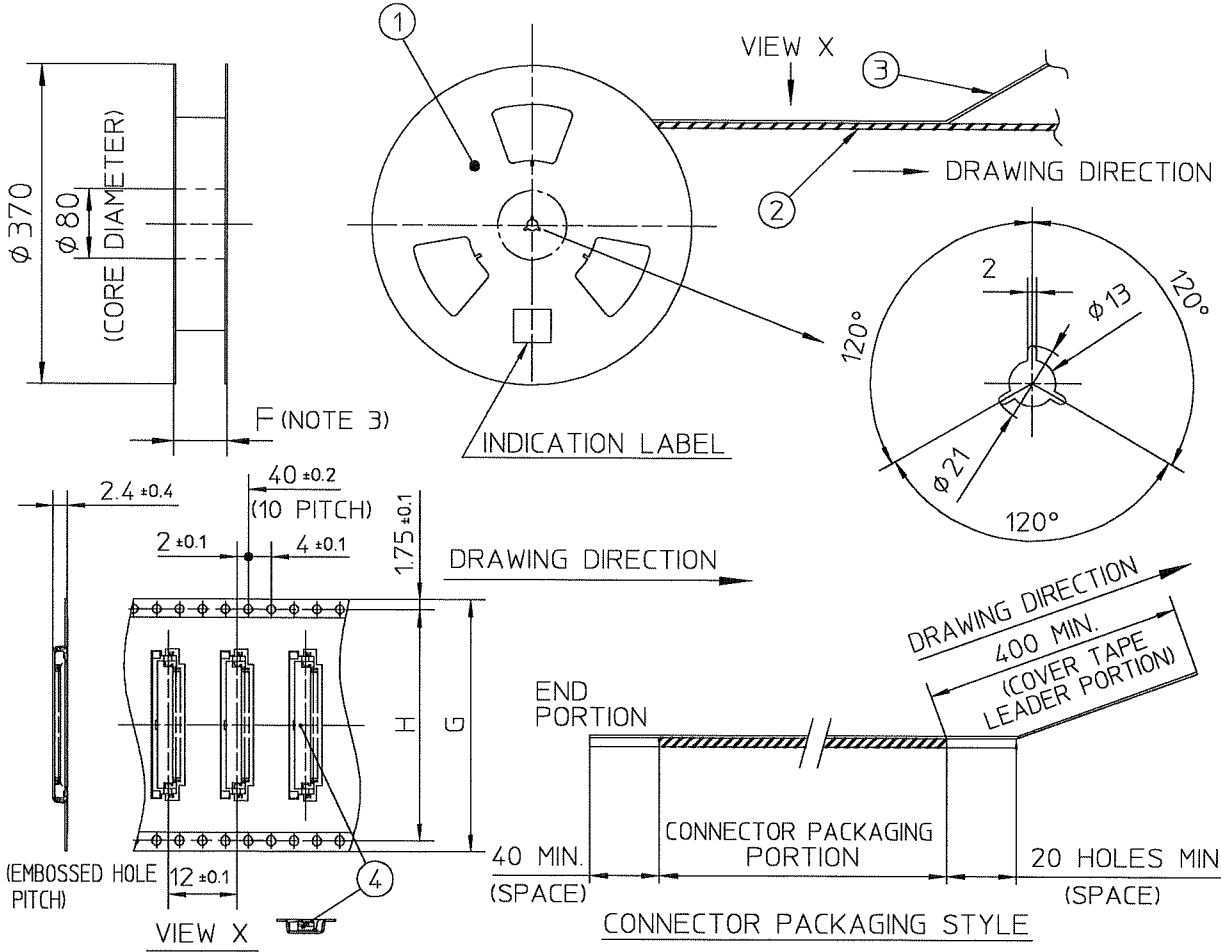


NOTES

1. THIS PRODUCT IS THE CONNECTOR USED FOR FPC AND COPELS WITH AUTOMATIC MOUNTING (SMT).
2. THIS CATALOG NO. INDICATES PLASTIC TAPE PACKAGED
3. SEE PART DRAWINGS FOR DIMENSIONS F-H.
4. THIS PRODUCT IS THE CONNECTOR WITH CABLE LOCK MECHANISM.

mat'l. code				surface <input checked="" type="checkbox"/> ISO 1302 <input type="checkbox"/> tolerance <input checked="" type="checkbox"/> ISO 406 <input type="checkbox"/> ISO 1101		projection		product family 58EF			
ltr	ecn no	dr	date	tolerances unless otherwise specified				title			
A	J04-0462	H.T	'04/12/17	angles	linear			CAT. NO. TABLE FOR PLASTIC TAPE PACKAGED 0.5 mm CONTACT SPACING CONNECTOR (Cat. No. : SFV__R-3/4STE1LF)			
B	J05-0227	H.T	'05/4/14			scale $\times$		dwg no sheet 1 of 1 size			
C	J06-0372	H.T	'06/9/7			FCJ		JSA 96154 A4			
sheet index		revision sheet	C 1	dr	engr	chr	appd	type Product Customer Drawing			
								Rev. C			

SC-SFV04 JSA96151 form: A4



PT. NO.	PARTS NAME	CAT. NO.	MATERIAL	Q'TY	NOTE
1	REEL	---	CARDBOARD	1	COLOR : WHITE
2	PLASTIC (EMBOSS) TAPE	---	A-PET	---	COLOR : TRANSPARENCY
3	COVER	---	POLYESTER	---	COLOR : TRANSPARENCY
4	CONNECTOR	SFV_R-3ST_LF	SEE ATTACHED DWG.	3000	LOWER CONTACT TYPE WITH CABLE LOCK MECHANISM

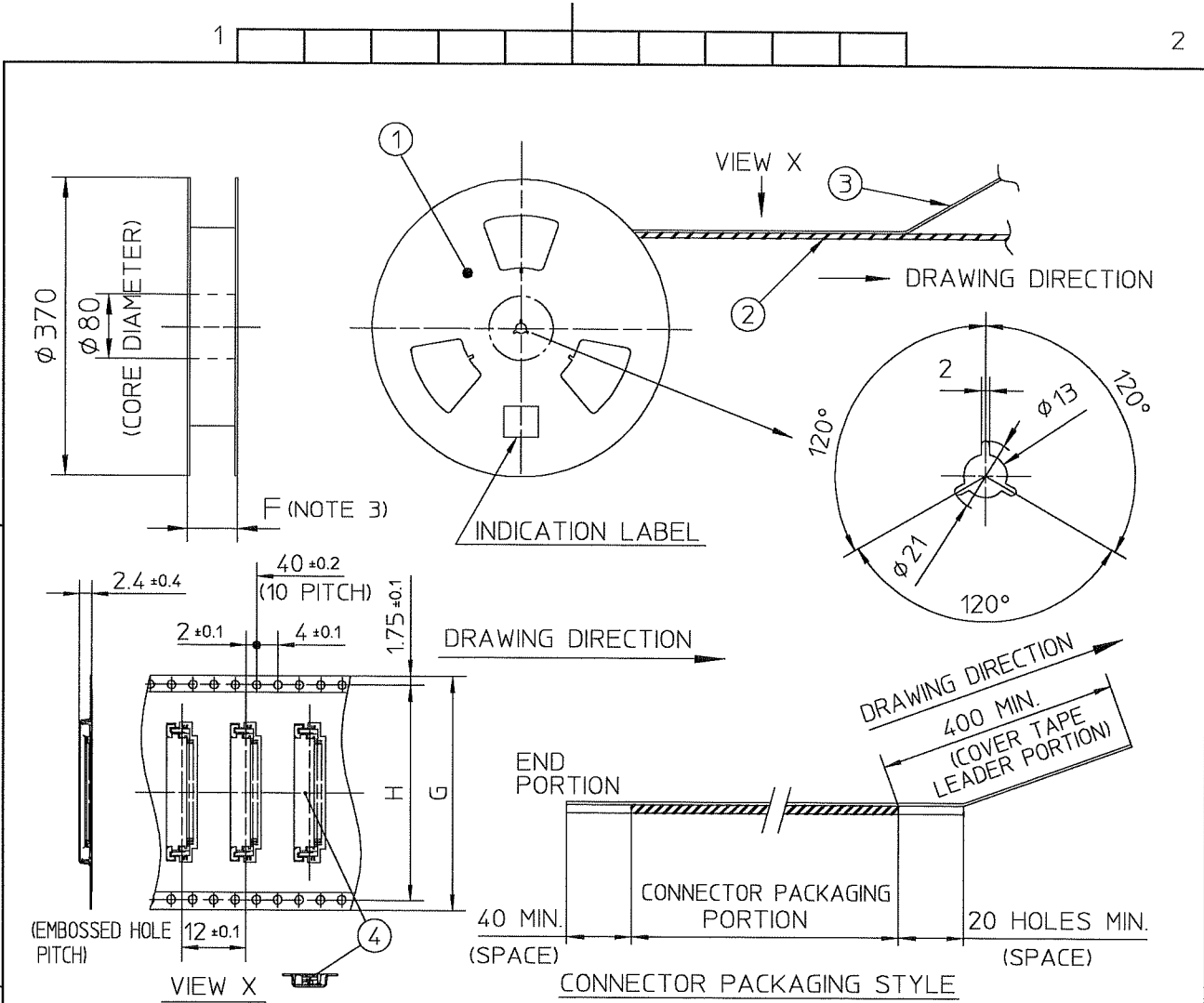
- NOTES
1. THIS IS PLASTIC TAPE PACKAGED CONNECTOR USED FOR FPC AND COPES WITH AUTOMATIC MOUNTING (SMT).
  2. SEE JIS C 0806 (PACKING OF ELECTRONIC COMPONENTS ON CONTINUOUS TAPES (SURFACE MOUNTING DEVICES)) FOR SHAPE AND DIMENSIONS OF PLASTIC (EMBOSS) TAPE AND REEL.
  3. F DIMENSION IS PORTION OF THE CORE.

mat'l. code		surface ISO 1302 ✓		tolerance ISO 406 ISO 1101		projection		product family 58EF	
ltr		ecn no		dr		date		title	
A		J04-0462		H.T		'04/12/17		PLASTIC TAPE PACKAGED	
B		J05-0227		H.T		'05/4/14		0.5 mm CONTACT SPACING CONNECTOR	
C		J06-0372		H.T		'06/9/17		(Cat. No. : SFV_R-3STE1LF)	
		dr		engr		chr		dwg no	
		R. Shaji		9/7/06		9/8/06		sheet 1 of 1	
		appd		P. G. S. S.		9/11/06		size A4	
sheet index		revision sheet		C		1		type Product Customer Drawing	
								Rev. C	



FCIconnect.com

Copyright FCI



PT. NO.	PARTS NAME	CAT. NO.	MATERIAL	Q'TY	NOTE
1	REEL	---	CARDBOARD	1	COLOR : WHITE
2	PLASTIC (EMBOSS) TAPE	---	A-PET	---	COLOR : TRANSPARENCY
3	COVER	---	POLYESTER	---	COLOR : TRANSPARENCY
4	CONNECTOR	SFV__R-4ST_LF	SEE ATTACHED DWG.	3000	UPPER CONTACT TYPE WITH CABLE LOCK MECHANISM

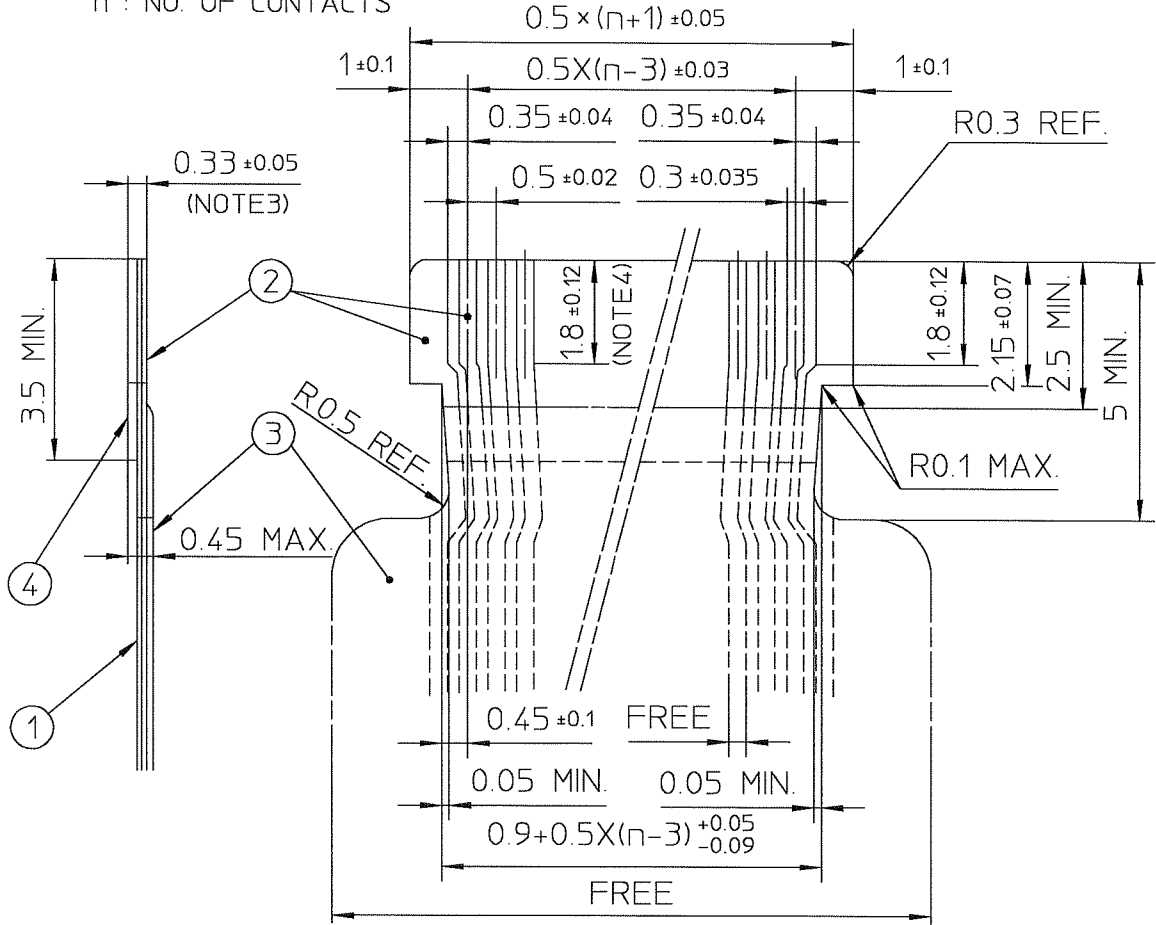
- NOTES
1. THIS IS PLASTIC TAPE PACKAGED CONNECTOR USED FOR FPC AND COPES WITH AUTOMATIC MOUNTING (SMT).
  2. SEE JIS C 0806 (PACKING OF ELECTRONIC COMPONENTS ON CONTINUOUS TAPES (SURFACE MOUNTING DEVICES)) FOR SHAPE AND DIMENSIONS OF PLASTIC (EMBOSS) TAPE AND REEL.
  3. F DIMENSION IS PORTION OF THE CORE.

mat'l. code		surface ISO 1302 ✓		tolerance ISO 406 ISO 1101		projection		product family 58EF	
ltr	ecn no	dr	date	tolerances unless otherwise specified				title	
A	J04-0462	H.T	'04/12/17	angles	linear			PLASTIC TAPE PACKAGED 0.5 mm CONTACT SPACING CONNECTOR (Cat. No. : SFV__R-4STE1LF)	
B	J05-0227	H.T	'05/4/14			±5			
C	J06-0372	H.T	'06/9/17	±5°		scale X		title PLASTIC TAPE PACKAGED 0.5 mm CONTACT SPACING CONNECTOR (Cat. No. : SFV__R-4STE1LF)	
		dr	<i>H. Saito</i>	9/7/06				dwg no sheet 1 of 1 size	
		engr	<i>H. Saito</i>	9/7/06				JSA 96156 A4	
		chr	<i>K. Shoyu</i>	9/8/06					
		appd	<i>S. Adachi</i>	9/11/06					
sheet index	revision sheet	C	1					type Product Customer Drawing Rev. C	

SC-SFV04 JSA96151 form: A4

RECOMMENDED CABLE (FPC)

n : NO. OF CONTACTS



PT. NO.	PARTS NAME	MATERIAL	THICKNESS(μm)
1	BASE FILM	POLYIMIDE OR POLYESTER OR EQUAL	25
2	CONDUCTOR	COPPER FOIL(PLATING : SOLDER 1μm MIN.)	35
3	OVERLAY	POLYIMIDE OR POLYESTER OR EQUAL	—
4	SUPPORTING TAPE	POLYESTER OR POLYIMIDE OR EQUAL	188

NOTES

1. NO BURR AT EACH PORTION.
2. NO PEELING IN COMMON USE.
3. TOTAL THICKNESS LIMIT OF EACH MATERIAL (INCLUDING ADHESIVE AGENT) IS SPECIFIED.
4. THIS DIMENSION INDICATES THE RANGE FOR 0.3 ± 0.035 CONDUCTOR WIDTH.

mat'l. code		surface ISO 1302 ✓		tolerance ISO 406 ISO 1101		projection		product family 58EF		
ltr	ecn no	dr	date	tolerances unless otherwise specified				title		
AA	J03-0196	H.T	'03/5/1	angles linear				RECOMMENDED CABLE (Cat. No. : SFV__R-3/4ST__)		
AB	J06-0372	H.T	'06/9/7							
				scale X		dwg no		sheet 1 of 1 size		
				dr <i>H. Takahara</i> 9/7/06		JSA 92606		A4		
				engr <i>H. Takahara</i> 9/7/06		type Product Customer Drawing		Rev. AB		
				chr <i>R. Shouji</i> 9/8/06						
				appd <i>S. Otsuda</i> 9/10/06						
sheet index	revision sheet	AB	1							Rev. AB



FCconnect.com

Copyright FCJ

