

Fig. 2(1:1)

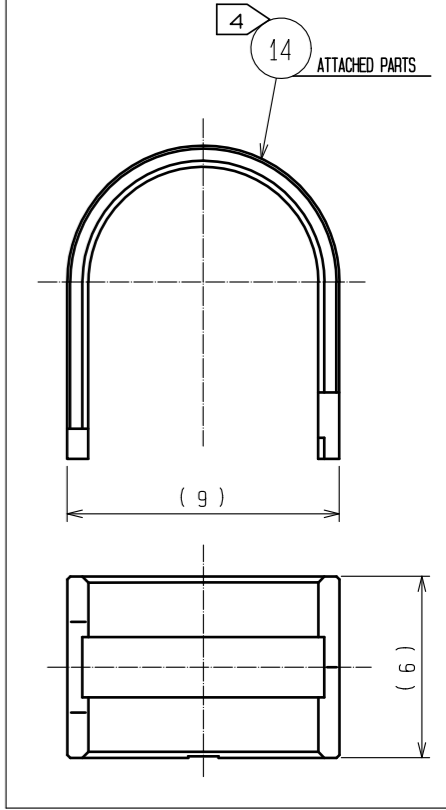
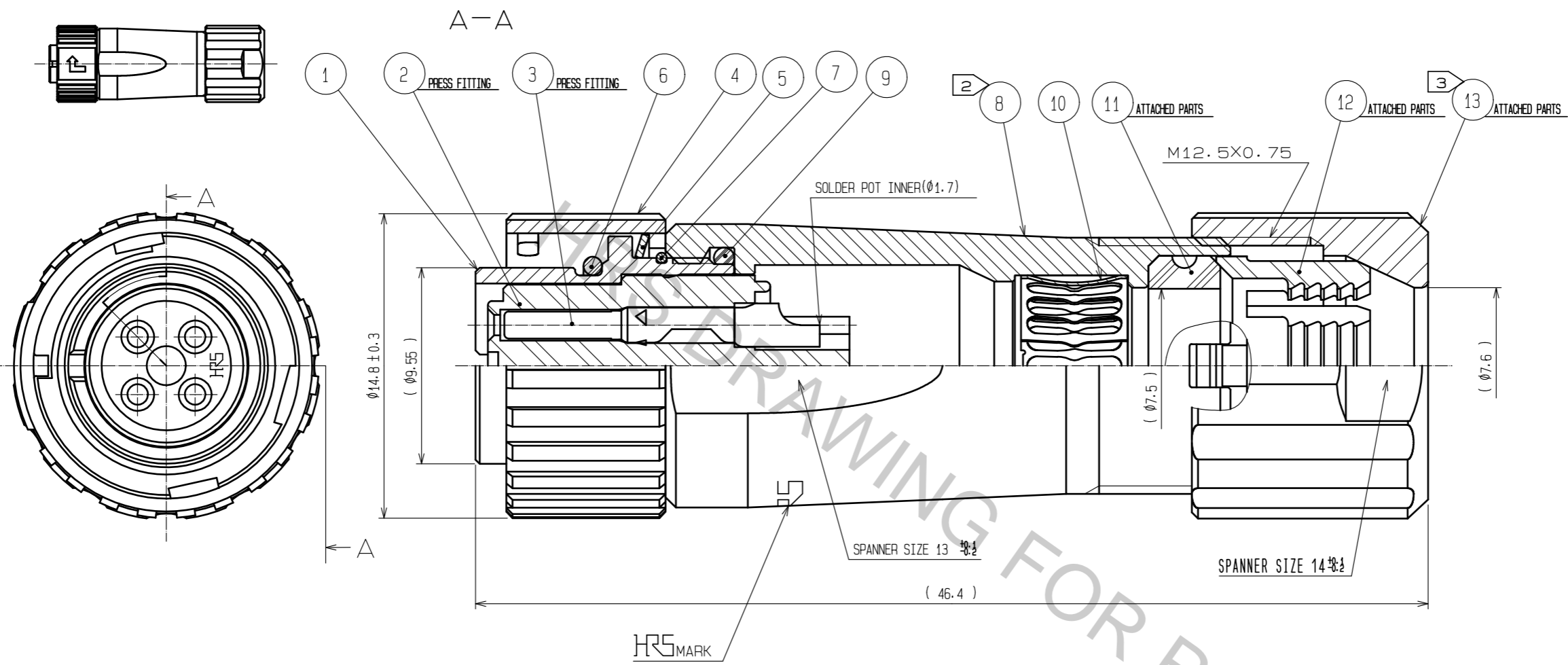
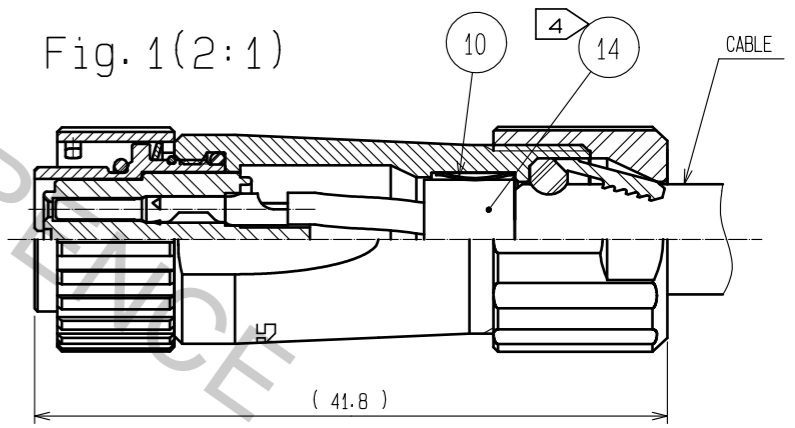


Fig. 1(2:1)



- NOTES
- ① PLATING(REF.NO.③)
 CONTACT AREA : GOLD 0.2µm min
 OTHERS : GOLD AND NICKEL
 UNDER PLATING : NICKEL 2µm min
 - ② THE RECOMMENDED CLAMP TORQUE OF REF.NO. ⑧ TO BE 1 TO 1.5N·m.
 THREAD LOCKER TO THE THREADED PORTION OF REF.NO.① IS RECOMMENDED TO PREVENT REF.NO. ⑧ FROM LOOSING.
 RECOMMENDED THREAD LOCKER : LOCTITE 263, HENKEL JAPAN LTD.
 - ③ THE RECOMMENDED CLAMP TORQUE OF REF.NO. ⑬ TO BE 0.8 TO 1N·m.
 THREAD LOCKER AND LOCK PRIMER TO THE THREADED PORTION M12.5X0.75 OF REF.NO.⑧ IS RECOMMENDED
 TO PREVENT REF.NO.⑬ FROM LOOSING.
 RECOMMENDED THREAD LOCKER AND LOCK PRIMER : LOCTITE 263, LOCK PRIMER 7649, HENKEL JAPAN LTD.
 - ④ FASTEN REF.NO.⑭ TO THE CABLE WITH THE CABLE CRIMPING TOOL.
 AND MAKE REF.NO.⑭ CONTACT WITH REF.NO.⑩(REFER TO Fig.1).
 REFER TO THE TECHNICAL SPECIFICATION ETAD-C0099 FOR DETAILS.
 APPLICABLE CABLE CRIMPING TOOL : LF-TC-01 (CL150-0234-6)
 - ⑤ APPLICABLE CABLE ASSEMBLY FIXTURE : LF10BP-T01 (CL150-0235-9)
 CABLE ASSEMBLY FIXTURE IS USED AS A RECEPTACLE STAND OF EXTRACT AND THE PART NUMBER ① OF AN ASSEMBLY.
 - ⑥ Fig.2 SHOWS THE APPEARANCE AFTER ASSEMBLY.
 - ⑦ ROTATION EXAMPLES OF REF.④, ⑧ AND ⑬ TO ① ARE SHOWN.
 - ⑧ CABLE PULL FORCE, TWISTING STRENGTH, WATER TIGHTNESS AND OTHER CHARACTERISTICS MAY DIFFER DEPENDING ON CABLE
 SPECIFICATIONS AND STRUCTURE.
 PLEASE EVALUATE UNDER THE ACTUAL CONDITIONS PRIOR TO USE.

7	STAINLESS STEEL		14	BRASS	NICKEL PLATING
6	CHLOROPRENE RUBBER	(BLACK)	13	PPS	(NATURAL·BROWN) UL94V-0
5	STAINLESS STEEL		12	POLYAMIDE	(NATURAL·MILKY WHITE) UL94V-0
4	ZINC ALLOY	NICKEL PLATING	11	CHLOROPRENE RUBBER	(BLACK)
3	COPPER ALLOY	①	10	PHOSPHOR BRONZE	NICKEL PLATING
2	PPS	(BLACK) UL94V-0	9	CHLOROPRENE RUBBER	(BLACK)
1	ZINC ALLOY	NICKEL PLATING	8	ZINC ALLOY	NICKEL PLATING
NO.	MATERIAL	FINISH, REMARKS	NO.	MATERIAL	FINISH, REMARKS
UNITS mm		SCALE 4:1	COUNT	DESCRIPTION OF REVISIONS	
DESIGNED		CHECKED		DATE	
APPROVED : HY. KOBAYASHI		18.02.21		DRAWING NO. EDC-114240-31-00	
CHECKED : HY. KOBAYASHI		18.02.21		PART NO. LF10WBP-4S(31)	
DESIGNED : TY. SUZUKI		18.02.21		CODE NO. CL136-0005-2-31	
DRAWN : HM. SAITO		18.02.21		①/1	