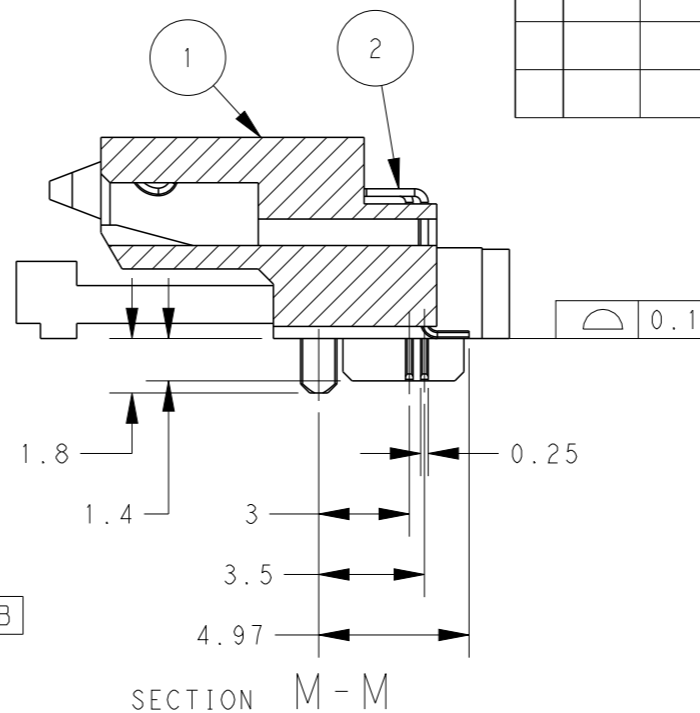
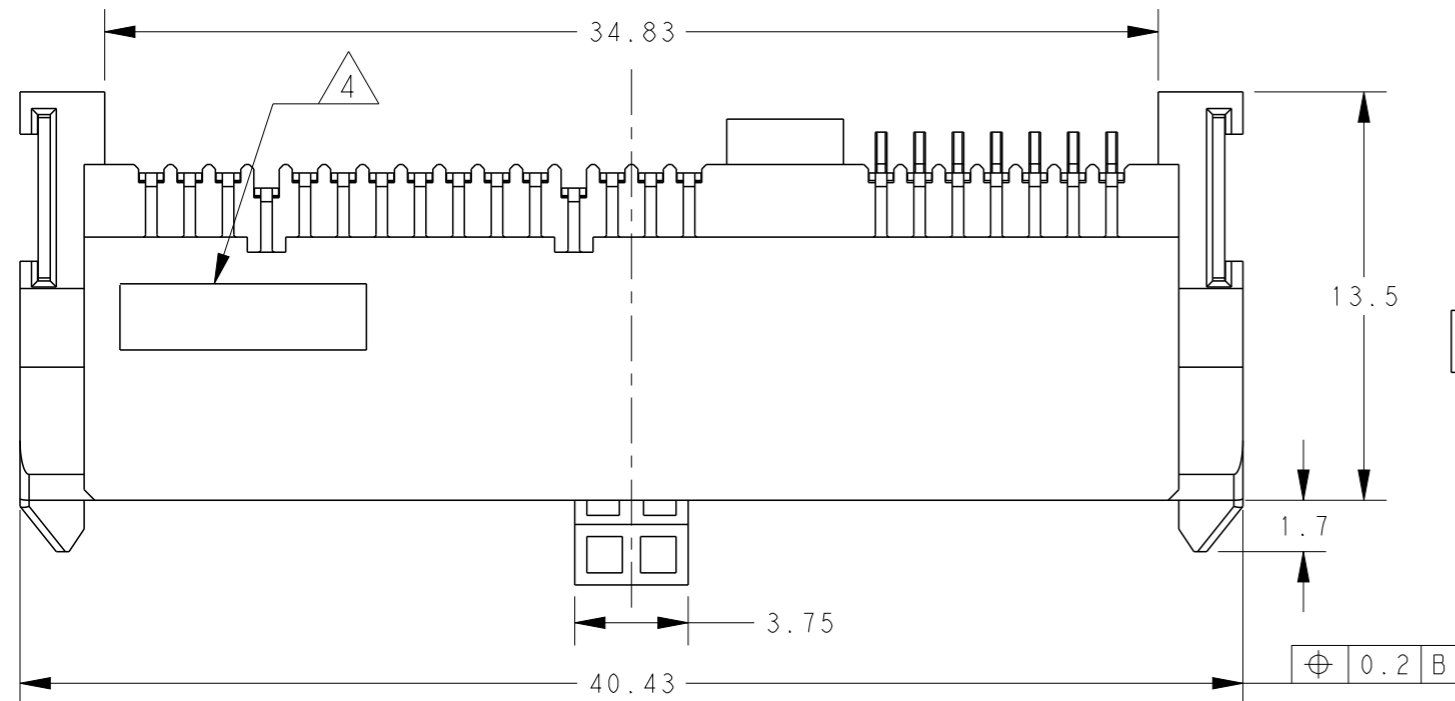


LOC	DIST
DW	

REVISIONS

P	LTR	DESCRIPTION	DATE	DWN	APVD
	A	RELEASED	11OCT2013	W.C	V.P

2129583-1: AS SHOWN

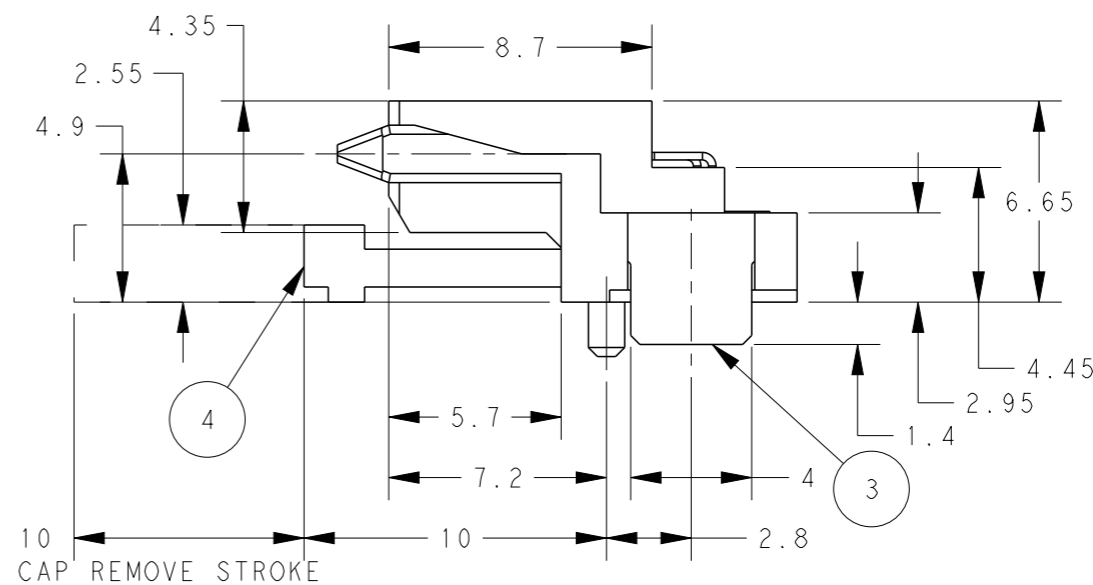
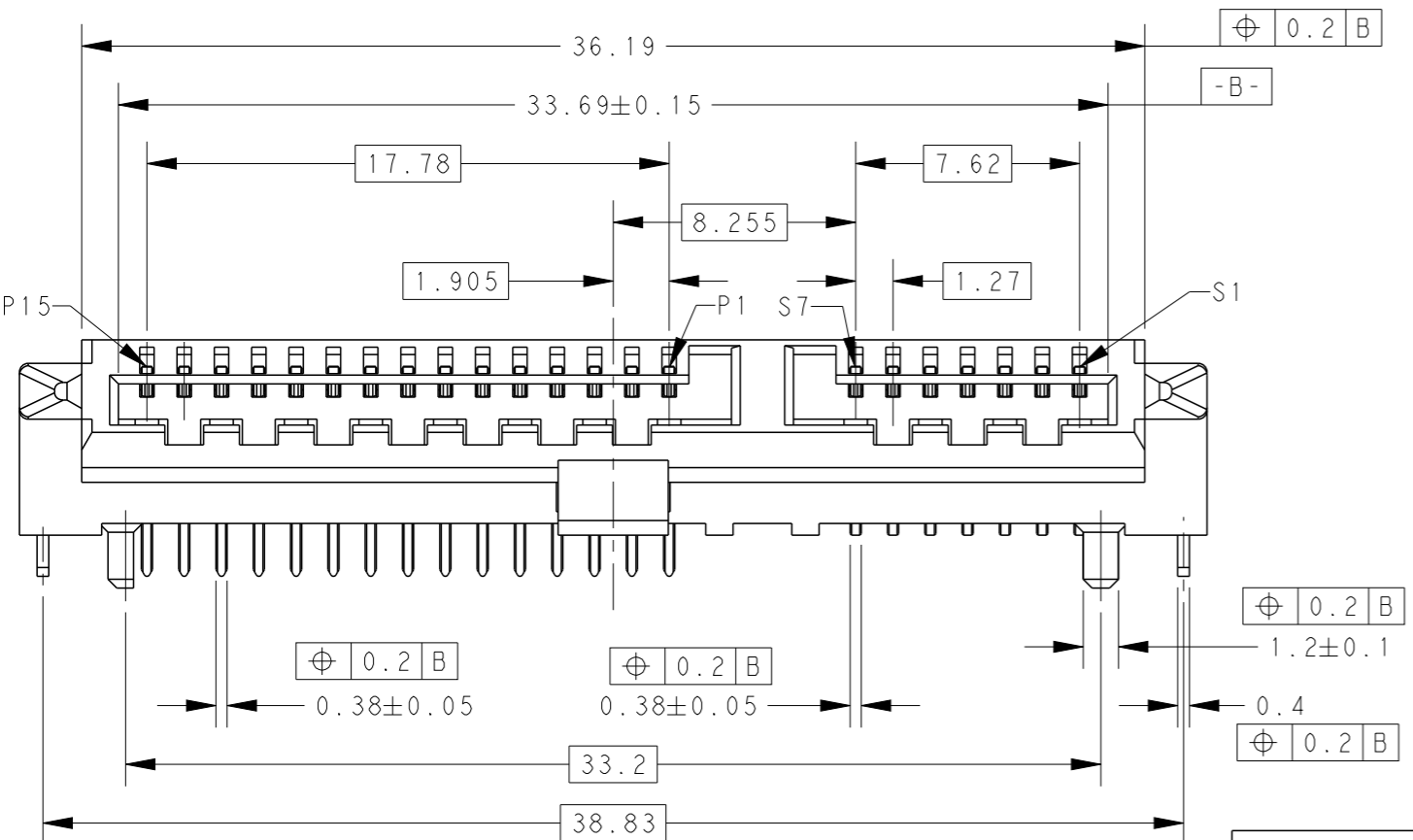


- MATERIAL
 - ① HOUSING: HIGH TEMPERATURE THERMOPLASTIC UL94V-0, COLOR: BLACK
 - ② CONTACT: COPPER ALLOY
 - ③ LEG: COPPER ALLOY
 - ④ CAP: HIGH TEMPERATURE THERMOPLASTIC UL94V-0, COLOR: BLACK

- FINISH:
 - CONTACT: CONTACT AREA: AU PLATING 0.127um WITH LUBRICANT HM-15
 - SOLDER TAILS: MATTE-TIN PLATING 2.5um. NICKEL UNDER PLATING 1.3um OVER ALL.
 - SOLDER LEG: MATTE-TIN PLATING 2.5um. NICKEL UNDER PLATING 1.3um OVER ALL.

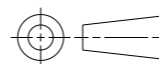
- MEET HALOGEN FREE REQUIREMENT:
 - Cl: 900 ppm MAX.
 - Br: 900 ppm MAX.

▲ DATE CODE
 WW YY D S
 ASSY MECHINE ID
 DAY OF WEEK
 WEEK OF YEAR
 THE LAST DIGITS OF YEAR



THIS DRAWING IS A CONTROLLED DOCUMENT.

DIMENSIONS: mm



TOLERANCES UNLESS OTHERWISE SPECIFIED:

0 PLC	±0.2
1 PLC	±0.2
2 PLC	±0.2
3 PLC	±0.2
4 PLC	±0.2
ANGLES	±5

MATERIAL

FINISH

DWN	W. CHEN	27NOV2012
CHK	H. KODAMA	27NOV2012
APVD	H. KODAMA	27NOV2012
PRODUCT SPEC	108-99048	
APPLICATION SPEC	501-99048	
WEIGHT		

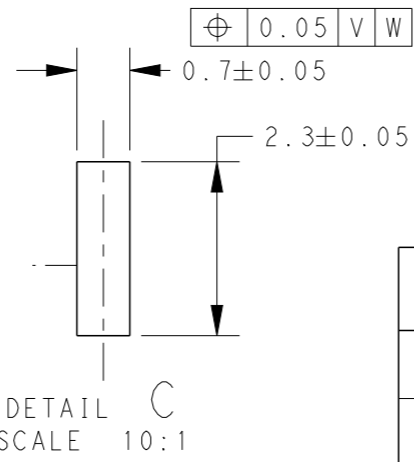
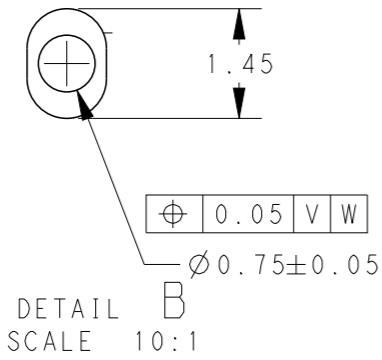
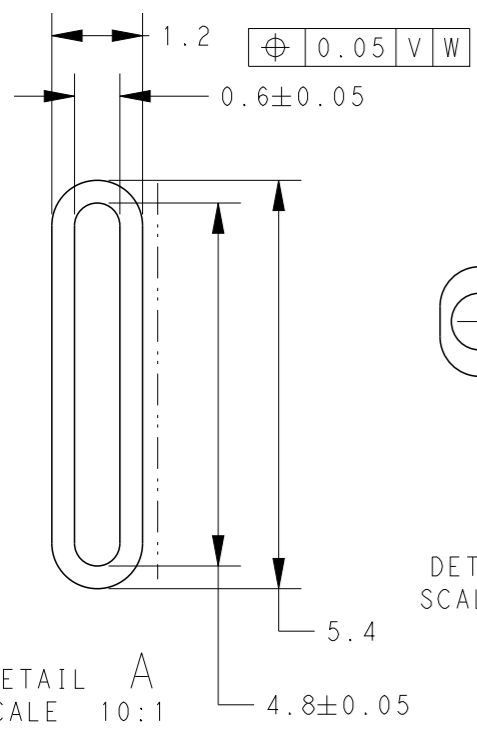
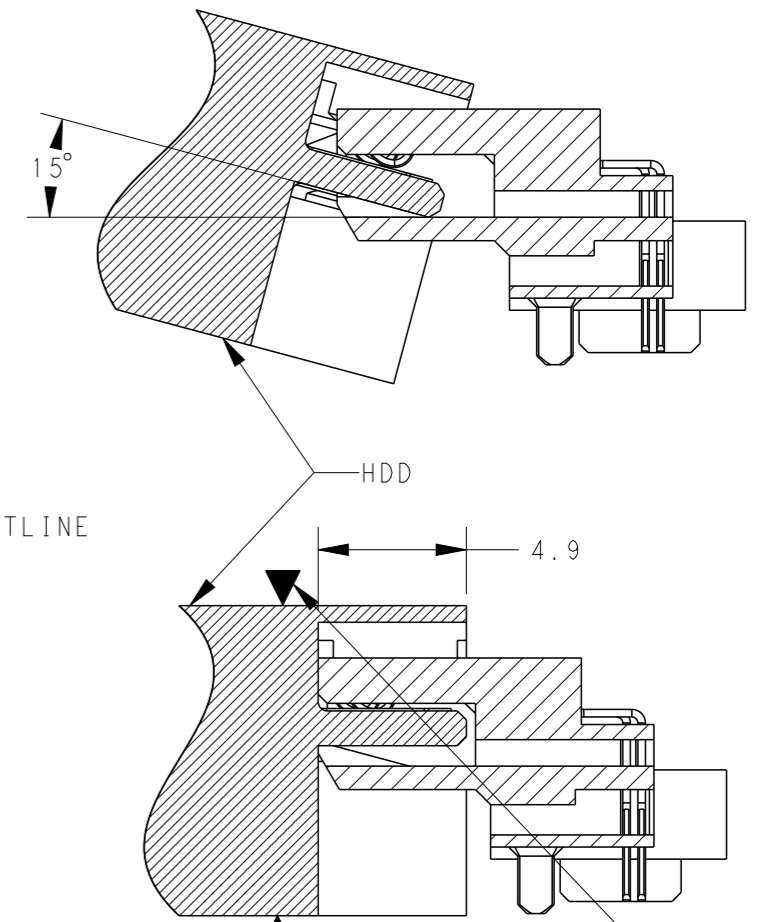
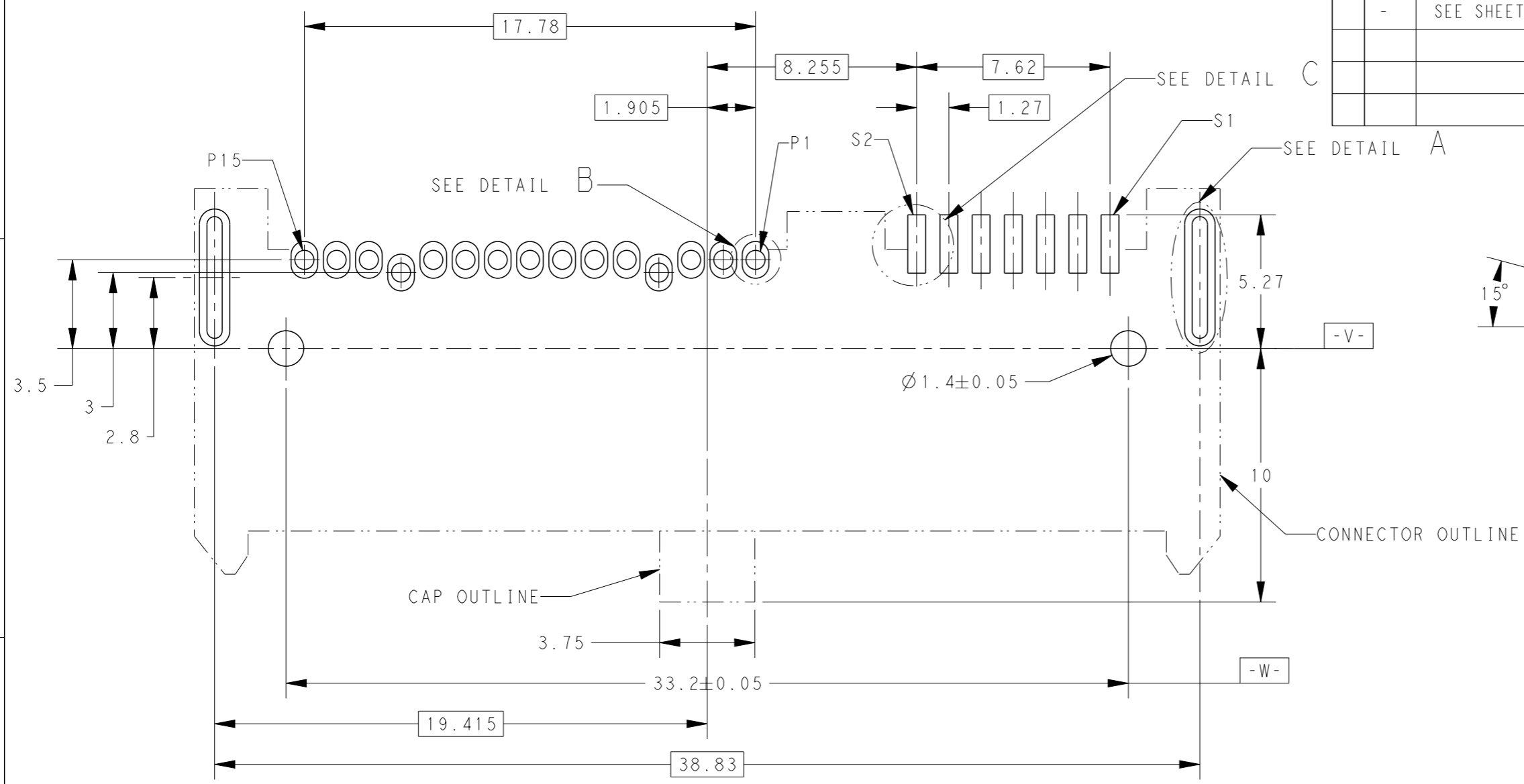


NAME
 REC. ASSEMBLY
 SLANT INSERTION SATA H4.9
 6.0 GBPS

SIZE	CAGE CODE	DRAWING NO	RESTRICTED TO
A3	00779	C-2129583	

THIS DRAWING IS UNPUBLISHED. RELEASED FOR PUBLICATION 20
 © COPYRIGHT 20 BY - ALL RIGHTS RESERVED.

LOC	DIST	REVISIONS			
P	LTR	DESCRIPTION	DATE	DWN	APVD
DW	-	SEE SHEET 1	-	-	-



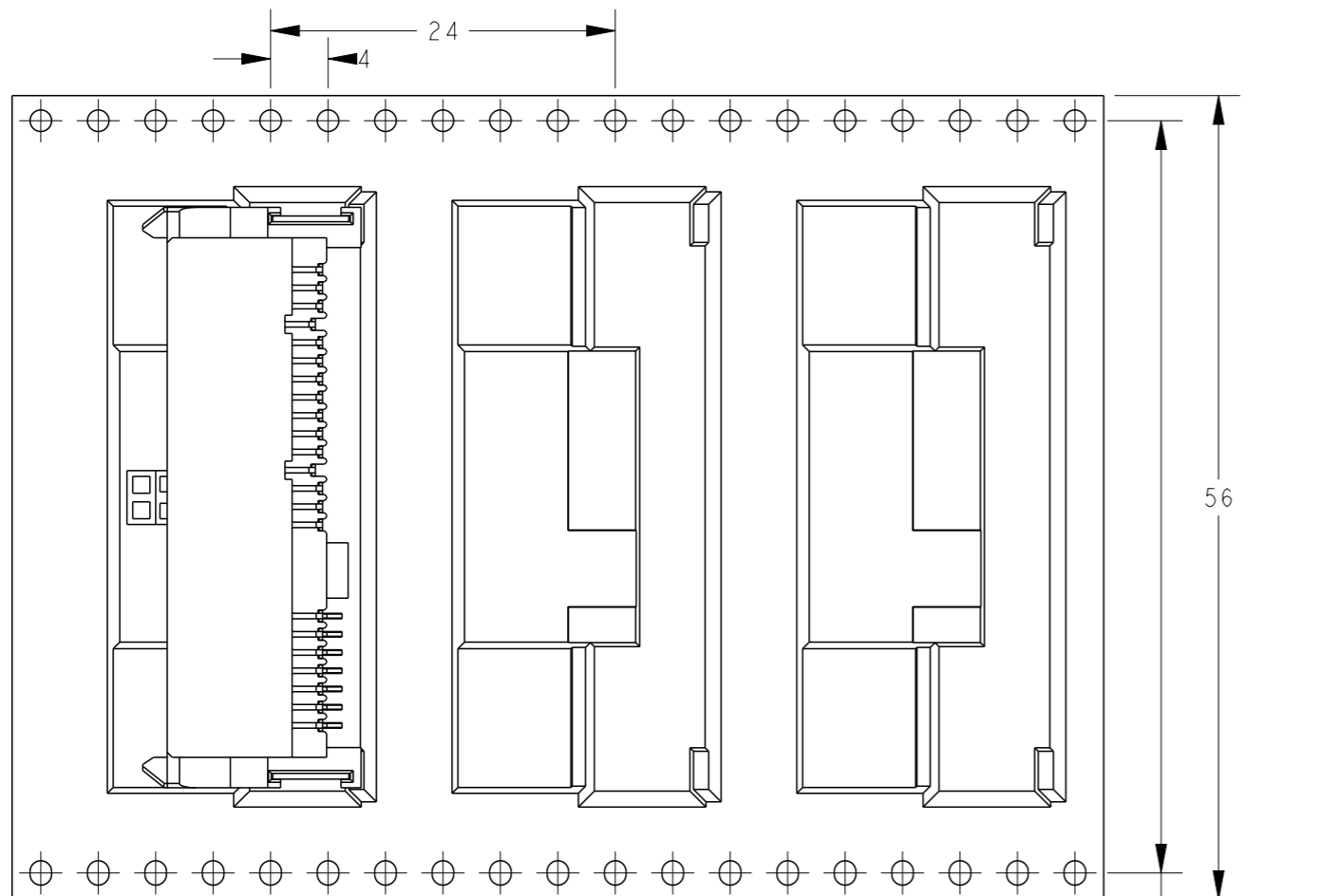
REFERENCE PCB LAYOUT (TOLERANCE ±0.05)
 REFERENCE PCB THICKNESS T=1.0
 SCALE 5:1

THIS DRAWING IS A CONTROLLED DOCUMENT.		DWN		TE Connectivity NAME REC. ASSEMBLY SLANT INSERTION SATA H4.9 6.0 GBPS	
DIMENSIONS: mm		CHK			
TOLERANCES UNLESS OTHERWISE SPECIFIED:		APVD			
0 PLC ±0.2 1 PLC ±0.2 2 PLC ±0.2 3 PLC ±0.2 4 PLC ±0.2 ANGLES ±5		PRODUCT SPEC			
MATERIAL		WEIGHT		SIZE	RESTRICTED TO
FINISH		CUSTOMER DRAWING		A300779	
		SCALE 5:1		DRAWING NO	
		SHEET 2 OF 3		C-2129583	
		REV A			

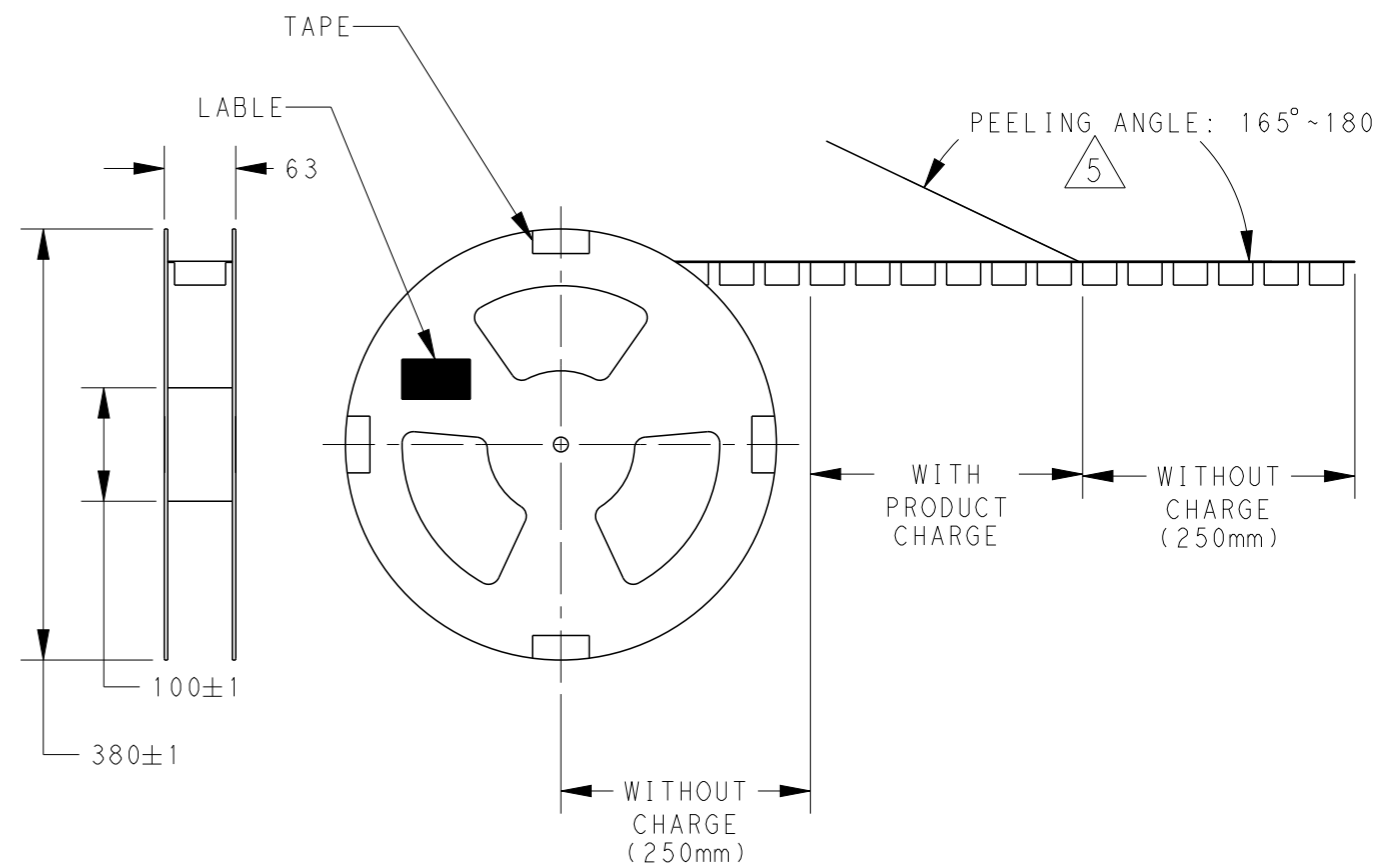
LOC DW
DIST -

REVISIONS

P	LTR	DESCRIPTION	DATE	DWN	APVD
-	-	SEE SHEET 1	-	-	-



- △ PEELING STRENGTH OF COVER TAPE: 0.2N~1.2N
- 6. PACKING MATERIAL: CARRY TAPE: PS, COLOR: BLACK
COVER TAPE: PET, COLOR: CLEAR
- 7. QUANTITY: 380PCS/ REEL
1140PCS/ BOX



THIS DRAWING IS A CONTROLLED DOCUMENT.		DWN	-	STE TE Connectivity
DIMENSIONS: mm		CHK	-	
TOLERANCES UNLESS OTHERWISE SPECIFIED:		APVD	-	NAME REC. ASSEMBLY SLANT INSERTION SATA H4.9 6.0 GBPS
0 PLC ±0.2		PRODUCT SPEC	-	
1 PLC ±0.2		APPLICATION SPEC	-	SIZE
2 PLC ±0.2		WEIGHT	-	A300779
3 PLC ±0.2		CUSTOMER DRAWING		CAGE CODE
4 PLC ±0.2		SCALE		2129583
ANGLES ±5		SHEET		3 OF 3
FINISH		REV		A