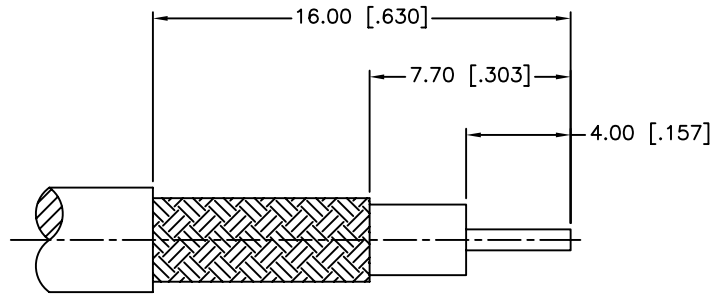
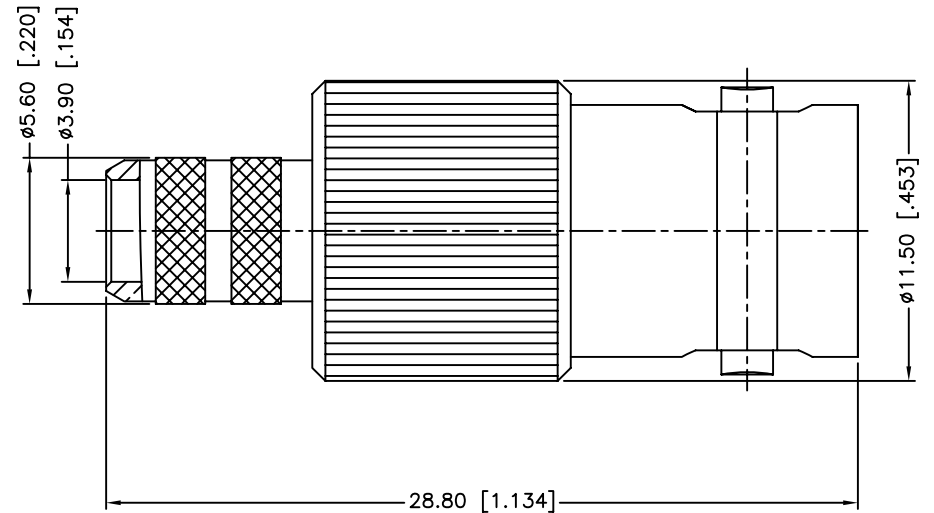
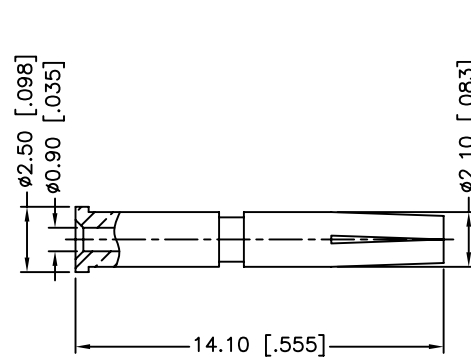
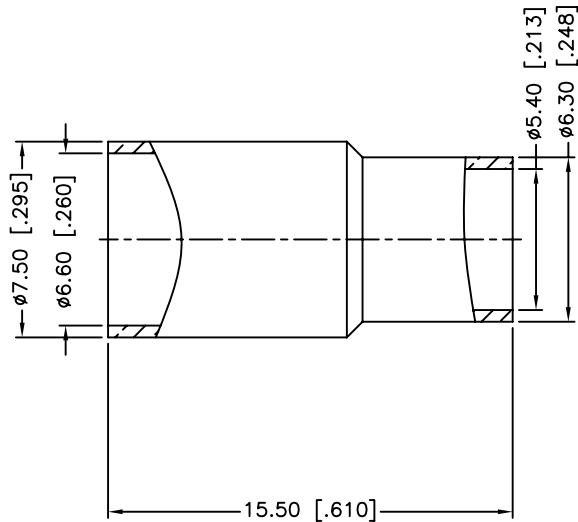


REV.	DATE	ECR NO.	DESCRIPTION
NC	05/30/00	XXXXXX	INITIAL RELEASE
A	03/18/05	XXXXXX	UPDATE DRAWING FORMAT
B	05/16/13	2474	CORRECT FERRULE MATERIAL, UPDATE DRAWING FORMAT



RECOMMENDED
CABLE STRIPPING DIM'S



1. IMPEDANCE: 75 OHM
2. FREQUENCY RANGE: DC-2 GHZ
3. VSWR: 1.22 MAX. @ 10-400 MHz
4. DIELECTRIC WITHSTANDING VOLTAGE: 300 VRMS, MIN.
5. DURABILITY: 500 CYCLES MIN.
6. TEMPERATURE RANGE: 0°C TO +70°C
7. CRIMPED FERRULE
HEX. CRIMP SIZE .255"
8. CRIMPED CONTACT PIN
HEX. CRIMP SIZE .068"

QTY	DESCRIPTION	MATERIAL	FINISH
1	FERRULE	BRASS	NICKEL
4	CONTACT PIN	PHOSPHOR BRONZE	GOLD
3	INSULATOR	PTFE	NATURAL
2	BODY	BRASS	NICKEL
1	HOUSING	BRASS	NICKEL

UNLESS OTHERWISE SPECIFIED DIMENSIONS ARE IN MILLIMETERS. DIMENSIONS IN [] ARE IN INCHES AND FOR CUSTOMER REFERENCE ONLY.
UNLESS OTHERWISE SPECIFIED
TOLERANCES FOR MILLIMETERS ARE:
 <0.5 ± 0.05mm
 0.5 - 6mm ± 0.10mm
 6 - 30mm ± 0.20mm
 30 - 120mm ± 0.30mm
 ANGLES ± 1°
 UNLESS OTHERWISE SPECIFIED
 TOLERANCES FOR INCHES ARE:
 <.020 ± 0.002"
 .020 - .236 ± 0.004"
 .236 - 1.180 ± 0.007"
 1.180 - 4.724 ± 0.012"
 ANGLES ± 1°
 DO NOT SCALE DRAWING

APPROVALS	DATE
DRAWN M.ZHANG	05/16/13
CHECKED	
ISSUED	
SHEET 1 OF 1	
CAD FILE C:/CONNEX/112645.DWG	

Amphenol Connex

PART DESCRIPTION
**BNC CRIMP JACK (FOR RG-59/U
PLENUM ENTER CONTACT-20AWG CABLE)**

PART NO.
112645

DWG. NO. 112645.DWG REV. B SIZE A SCALE NA