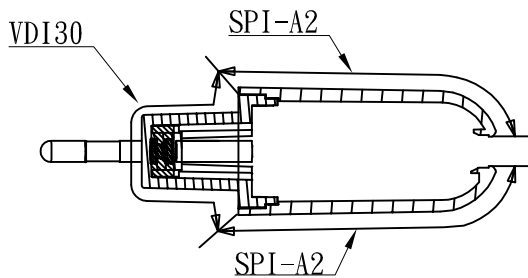
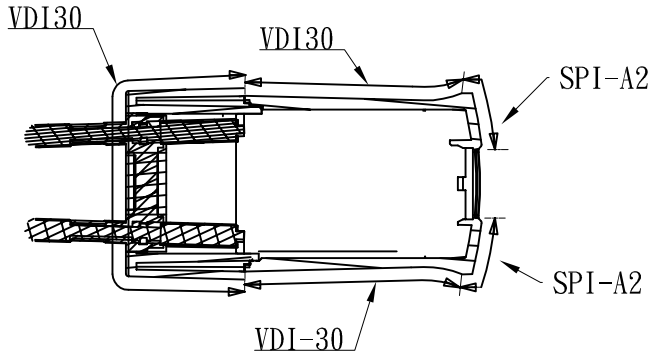
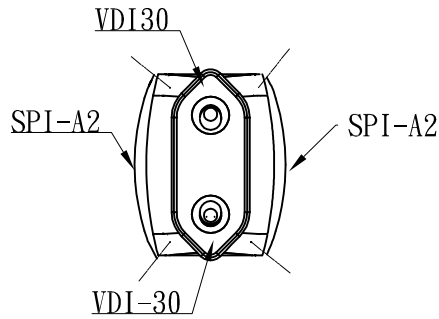
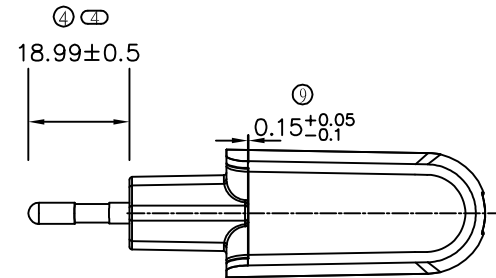
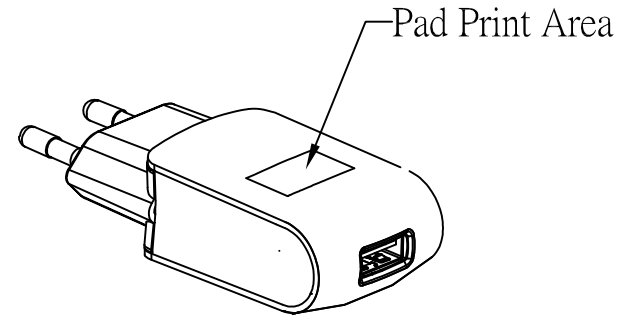
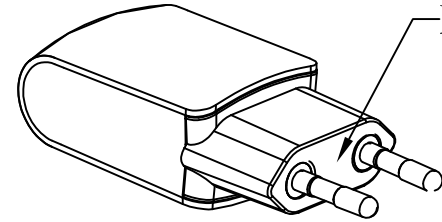
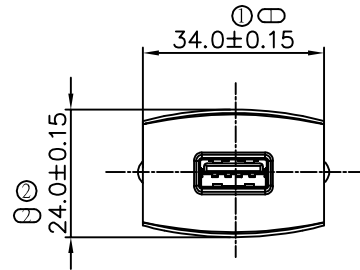
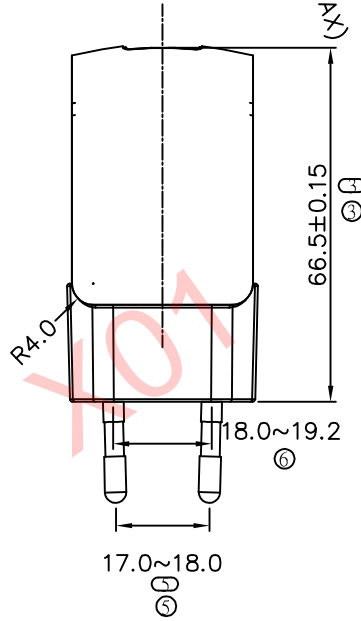
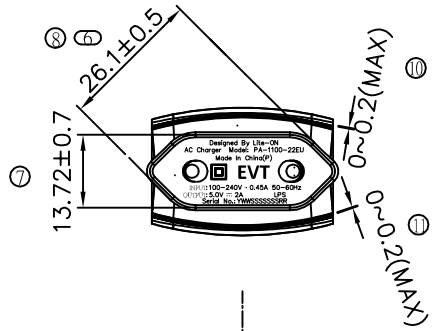


NOTES: UNLESS OTHERWISE SPECIFIED,
PARTS SPECIFIED AS FOLLOWS:

- 1.MATERIAL:
RESIN: SAMSUNG PC EN-1052L
RATED: 94V-0
COLOR: BLACK
- 2.FINISH1: ENCLOSURE SURFACE FINISH TO BE SPI-A2 & VDI-30 AS SHOWN
- 3.FINISH2: POWER CONTACT TO BE NICKEL COATING TREATMENT.
COLOR: SHINY.
- 4.MUST BE ATTACHED THE PROTECTIVE FILM ON EXTERNAL.
- 5.DIMENSIONS APPLY AFTER TEXTURE. ○ : FAI ○ : CPK
- 6.PARTING LINE TO BE 0.03MM(MAX).
- 7.CASE-TOP TO CASE-BTM GAP TO BE 0~0.1MM(MAX).
- 8.AFTER ULTRASONIC WELDING DO NOT HAVE OVERFLOW
MALPOSITION/NO SHARP EDGE AT AROUND.



Plastic Tolerance Table	
0-2.99mm	±0.05
3-10mm	±0.07
10-29.99mm	±0.1
30-99.99mm	±0.15
100-299mm	±0.2
300-	±0.3

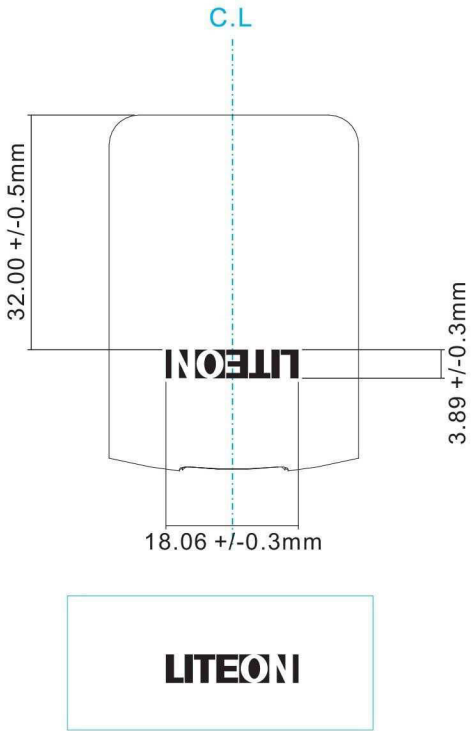
REVISION	RELEASED	15-Jul-2013	PRINTING DATE	10-May-2013
	DESCRIPTION	DATE	FINAL DATE	10-May-2013
		ZONE	UNIT: mm	SCALE: —

2D FILE	OUTLINE_PA-1100-22EU	DESIGNER	MONEY CHIAN
3D FILE		CHECKER	
		APPROVED	

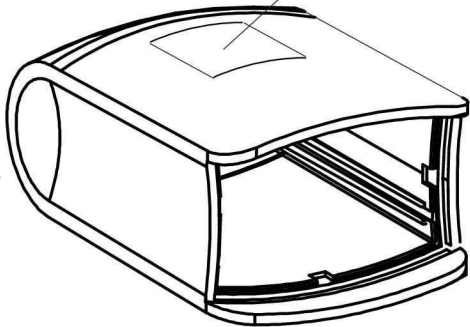


TITLE: OUTLINE DRAW.	PART NO.:
PROJECT: PA-1100-22EU	DRAWING NO.: 0-001598
	REV.: X01

Artwork



LOGO



Black Type

Pantone cool gray 6C

White Type

Pantone cool gray 4C