

SUMMARY

Wires

Low	1
High	0
Coax	0
Triax	0
Quad	0
Fiber	0
Fluidic	0



Image is for illustrative purpose only

Download

[Request a quote](#)

[Catalog](#)

Series	0S
Termination type	Male solder
IP rating	50
Cable Ø	4.30 - 5.20 mm
Matching parts	ERA.0S.116.CTL
Status	
Alternative part	

TECHNICAL DETAILS

Mechanics

Shell Style/Model	FLA*: Elbow plug, cable collet
Keying	
Housing Material	Brass (chrome plated) shell and collet nut, nickel plated brass latch sleeve and mid pieces
Cable Fixing	K52: 4.3 - 5.2 mm
Variant	

Performance

Configuration	0S.116 : 1 Low Voltage
Insulator	T: PTFE
Rated Current	12 Amps

Specifications

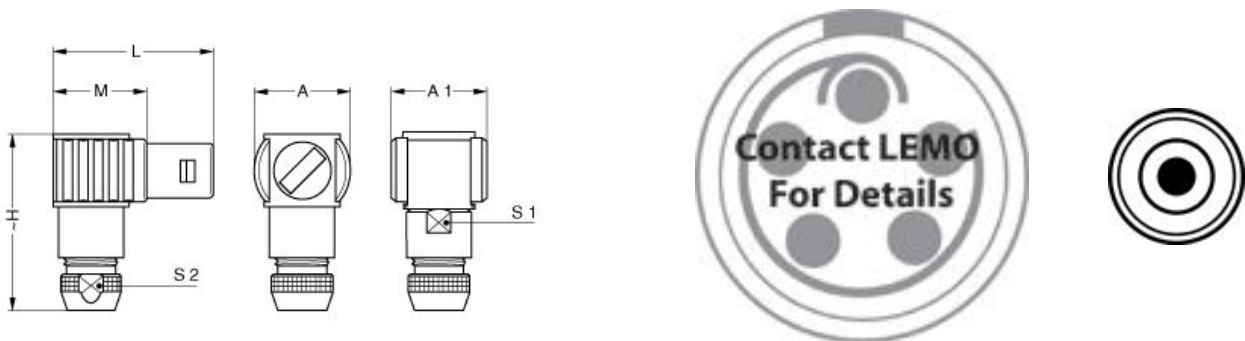
Contact Type:	Solder
Vtest (contact-shell):	1500 V (AC), 2100 V (DC)
Vtest (contact-contact):	1500 V (AC), 2100 V (DC)

Others

Endurance (Shell): 5000 mating cycles
 Temp (min / max): -55°C / +250°C
 Humidity (max): <=95% [at 60 deg C / 140 F]
 Vibration: 15 g [10 Hz - 2000 Hz]
 Shock Resistance: 100 g [6 ms]
 Salt Spray Corrosion: >144 hr
 Climatological Category: 50/175/21
 Shielding (min): 75 dB (10 MHz)
 Shielding (min): 40 dB (1 GHz)
 IP Rating: 50

DRAWINGS

Draws



Dimensions

	A	A1	H	L	M	S1	S2
mm.	13	13	24.5	23	13	8	6.5
in.	0,51	0,51	0,96	0,91	0,51	0,31	0,26

RECOMMENDED BY LEMO

Tools

None

Cables