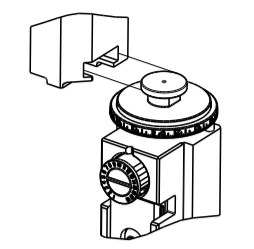

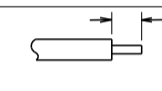







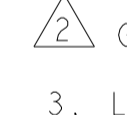
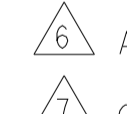
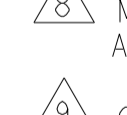
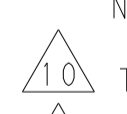




ATLANTIC VERSION TERMINATOR INTERFACE ADAPTER	PART NUMBER	REVISION	DESCRIPTION	FEED TYPE	APPLICATOR STYLE CONVERSION CHART					
					CONVERT TO	PART NUMBERS REQUIRED				
	2266285-2	A	FINE CRIMP HEIGHT ADJUST	PNEUMATIC	-	-	-	-	-	-
	2266285-7	A	FINE CRIMP HEIGHT ADJUST	NONE	-	-	-	-	-	-
	7-2266285-7	A	CRIMP TOOLING KIT	-	-	-	-	-	-	-

APPLICATOR DATA		
CRIMP	SIZE	TYPE
WIRE	4.50 mm [.177]	F
INSUL	6.90 mm [.272]	F

APPLICATOR INSTRUCTIONS
408-10389 

TERMINAL DATA: TE TERMINAL		TE CRIMP SPECIFICATION	
TERMINAL NAME: MAXI-POWER-TIMER CONTACT			
WIRE STRIP LENGTH		INSULATION DIAMETER RANGE	
TERMINAL APPLICATION SPECIFICATION	NONE 		
TERMINALS APPLIED 			
TE TERMINAL	TE TERMINAL	TE TERMINAL	TE TERMINAL
962930-1	1-962930-6	2-962930-1	9-962930-1






WIRE SIZE	CRIMP HEIGHT mm [INCH]	CRIMP HEIGHT REFERENCE SETTING
-		7.0

-  RECOMMENDED SPARE PARTS
-  GREASE BEARING SURFACES LIGHTLY
- 3. LUBRICATE DAILY PER THE APPLICATOR INSTRUCTION SHEET SUPPLIED WITH THE APPLICATOR.
- 5. ADJUSTMENT OF THE STRIPPER MAY BE REQUIRED WHEN MOVING THE APPLICATOR BETWEEN BENCH AND LEADMAKER APPLICATIONS.
-  APPLY PART NUMBER 1-23419-5 LOCTITE TO THREADS OF ITEMS 62 & 242.
-  GREASE THREADS, GROOVE AND O-RING ON ITEMS 35 & 252.
-  MAGNET, ITEM 166 MUST BE ORIENTED CORRECTLY IN ORDER TO PROPERLY ACTUATE THE COUNTER.
-  CRIMP HEIGHT REFERENCE SETTING WAS THE SETTING USED WHEN THE APPLICATOR WAS QUALIFIED AT THE FACTORY. ADJUSTMENT MAY BE NECESSARY WHEN RUNNING APPLICATOR IN THE FIELD.
-  TERMINAL PITCH NOT COMPATIBLE WITH MECHANICAL FEED.
-  TO CONVERT THE APPLICATOR TO A NON-CARRIER CUTTING STYLE, REMOVE ITEM 13 AND ATTACH TO THE LOCATION ON THE BACK SIDE OF THE HOUSING. REFER TO INSTRUCTION SHEET FOR ADDITIONAL INFORMATION.
-  REFER TO TERMINAL 962931 FOR GENERAL LOOSE PIECE CONFIGURATION OF PREFORM AND CUT OFF TAB.

***WARNING**
 ON INSTALLATION, SET WIRE DISC, ITEM 40 TO LARGEST WIRE SIZE SETTING. USE OF SETTINGS BELOW MINIMUM REQUIRED CRIMP HEIGHT SETTING WILL CAUSE DAMAGE TO CRIMP TOOLING.

ATLANTIC VERSION
 Shown on sheets 1 of 4 & 2 of 4
 (Pacific version shown on sheets 3 of 4 & 4 of 4)

SET UP GAUGE	LOC	DIST	REVISIONS			
2119599-1	A	66	REV	DATE	BY	APPV
			A	RELEASED	26SEP2014	MR GB

	-	-	-	2119957-2	APPLICATOR SHIM PACK	260
	-	1	1	8-21084-0	O-RING, .676 ID, .070 DIA. MAT.	252
	-	-	1	2119640-1	PUSH ROD, AIR FEED	250
	-	-	1	2079988-1	BUSHING, LCH5-12, MISUMI	249
	-	-	1	2119641-1	FEED CAM, AIR FEED	248
	-	1	1	2119798-1	DETENT PIN	247
	-	1	1	1-22279-3	SPRING, COMPRESSION	246
	-	1	1	2161314-1	RAM, STEPPED, ATLANTIC STYLE, SIDE FEED, NON-ADJUST	245
	-	1	1	2119082-9	CAM, SNAIL, INSULATION ADJUSTMENT	244
	-	1	1	2079764-1	WASHER, WAVE SPRING, CREST-TO-CREST	243
	-	1	1	2119083-1	RETAINER, INSULATION DIAL	242
	-	1	1	7-18023-7	SCR, SKT HD CAP M3 X 4.0	241
	-	-	1	2063440-2	AIR FEED MODULE	238
	-	-	-	2119740-2	TAG, IDENTIFICATION	213
	-	-	2	21045-3	RING, RETAIN, EXTERN, 3/16 CRESCENT	172
	-	1	1	994969-1	MAGNET, RARE EARTH HIGH ENERGY	166
	-	REF	REF	994970-2	COUNTER, MAGNETIC	164
	-	-	1	240638-1	SPRING, FEED FINGER	163
	-	-	1	3-23627-7	PIN, RETAIN, GRVD, 3/16 X .854	137
	-	-	1	2119799-1	HOLDER, FEED FINGER, AF	136
	-	1	1	1-18028-2	WASHER, FLAT, REG M4	119
	-	1	1	2-455888-8	SPACER, CRIMPER	82
	-	2	2	18024-6	SCR, BTN SKT HD CAP (M4 X 8.0)	79
	-	1	1	1633470-2	EXTENSION PLATE	78
	-	1	1	2119956-1	DOCUMENTATION PACKAGE	71
	-	1	1	2119740-1	TAG, IDENTIFICATION	67
	-	2	2	2168078-1	SCREW, DRIVE, RH, RoHS, 2 x .188	66
	-	1	1	2119793-1	LIMITER, ADJUSTMENT BOLT	63
	-	3	3	992763-5	SCR, SET, SOC, CONE POINT, M3 X 4.0	62
	-	1	1	2079383-4	SCR, BHSC, RoHS (M4 X 8)	60
	-	-	1	5-18022-5	SCR, HEX HD CAP, M4 X 6.0	59
	-	-	1	1338685-1	PAWL, FEED	56
	-	2	2	2168400-1	SHCS, LOW HEAD, RoHS, M4 X 12	54
	-	-	1	18023-9	SCR, SKT HD CAP M4 X 6.0	49
	-	1	1	2119656-9	APPLICATOR BASIC ASSEMBLY, SF	46
	-	1	1	2161311-1	RAM, STEPPED, ATLANTIC STYLE, SIDE FEED	44
	-	1	1	1-2079383-5	SCR, BHSC, RoHS (M8 X 40)	41
	-	1	1	2119645-1	DISC, NUMBERED FA WIRE ADJUSTMENT	40
	-	1	1	2119957-1	APPLICATOR SHIM PACK	39
	-	1	1	2119644-2	RAM WASHER, PRECISION	38
	-	1	1	2119085-1	FA HEAD, ATLANTIC STYLE	37
	-	1	1	2119092-1	BOLT, ADJUSTMENT	35
	-	2	2	2079383-5	SCR, BHSC, RoHS (M4 X 20)	33
	-	1	1	2161328-1	HEX HEAD, FLANGED, M5 x 8mm LONG	32
	-	1	1	1-1320908-0	SPACER, STRIP GUIDE	30
	-	1	1	2119959-2	ASSEMBLY, STRIP GUIDE	29
	-	1	1	455888-5	SPACER, CRIMPER	28
	-	1	1	1320928-4	STRIP GUIDE	24
	-	1	1	2168083-2	SCR, SKT HD CAP, RoHS, M4 X 8.0	21
	-	1	1	1-18028-2	WASHER, FLAT, REG M4	20
	-	1	1	1803013-1	STRIPPER, SIDE FEED	19
	-	1	1	2119806-1	INSERT, SHEAR	13
	-	1	1	3-22280-3	SPRING, COMPRESSION	12
	-	1	1	1-356885-4	STOP, SHEAR	11
	-	1	1	2119805-1	SHEAR HOLDER, FRONT	10
	-	1	1	454276-5	FLOATING SHEAR, FRONT	9
	1	1	1	5-1633711-1	ANVIL, COMBINATION	8
	-	-	-	-	-	7
	-	-	-	-	-	6
	-	1	1	2119757-8	DEPRESSOR, SHEAR	5
	-	1	1	3-238011-8	BLOCK, CRIMPER SPACER	4
	1	1	1	2161908-5	CRIMPER, INSULATION 0	3
	-	1	1	1-455888-4	SPACER, CRIMPER	2
	1	1	1	2-1333296-5	CRIMPER, WIRE LOOSE PIECE	1
	-77	-7	-2	PART NO	DESCRIPTION	ITEM NO

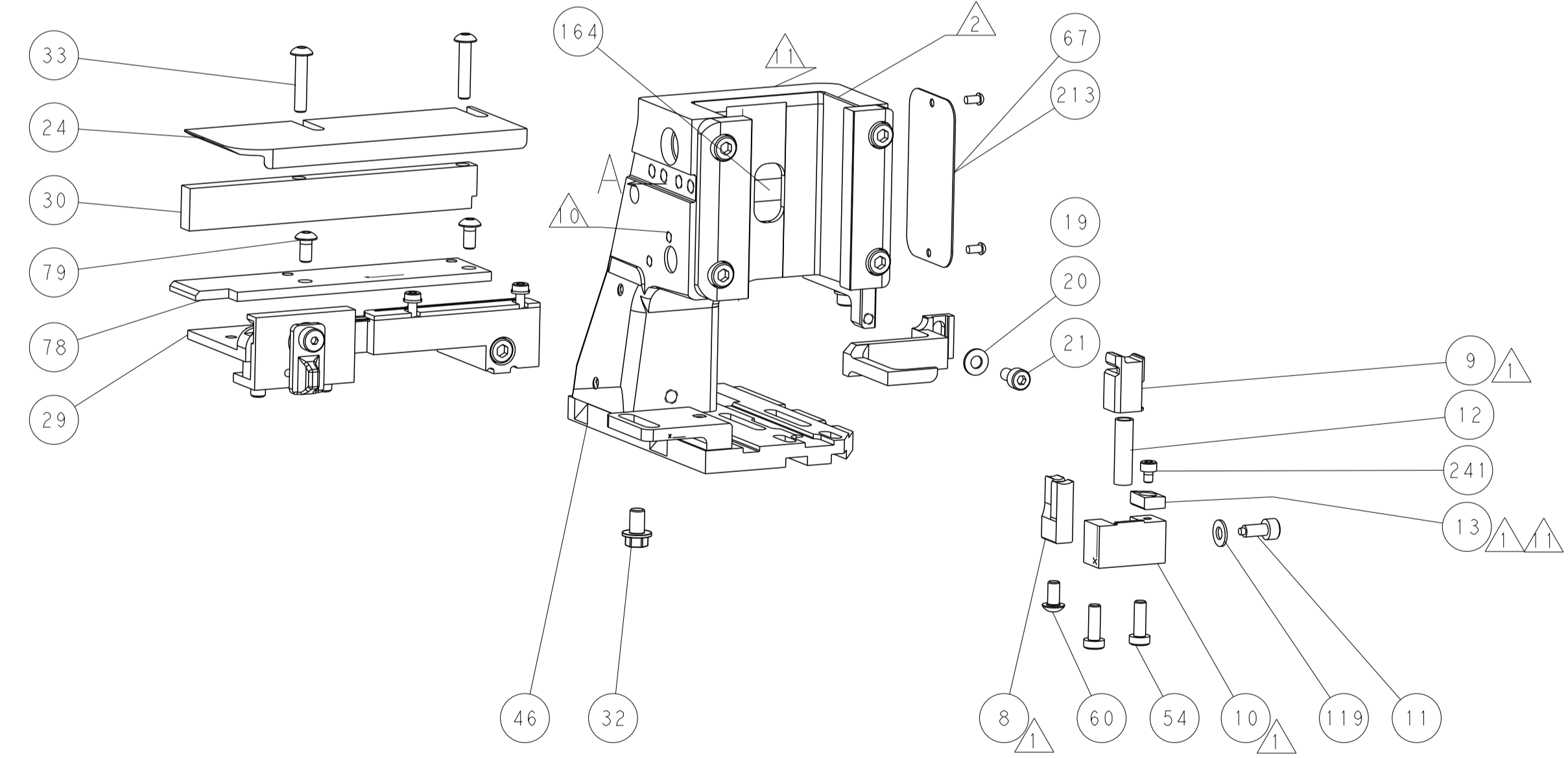
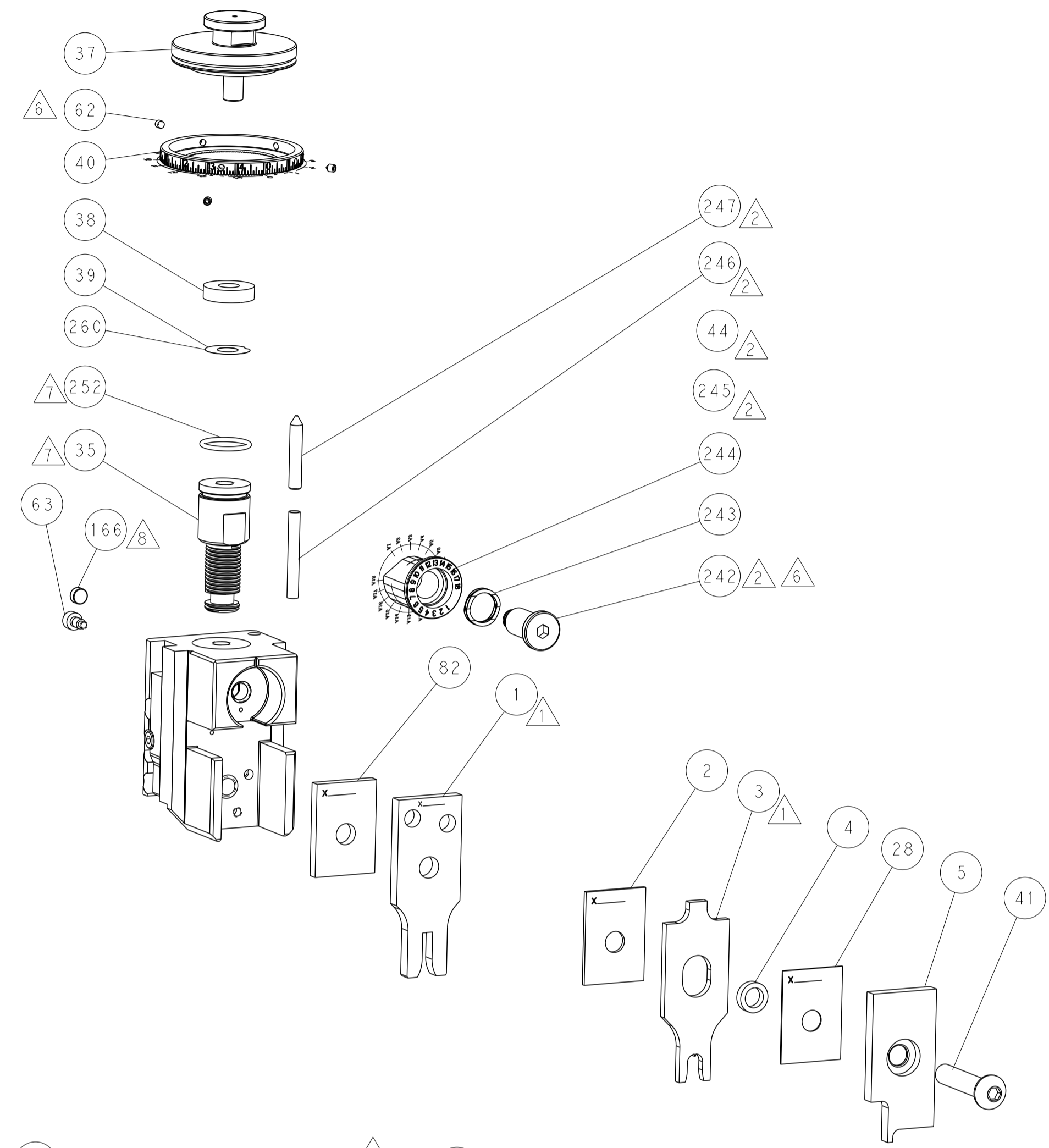
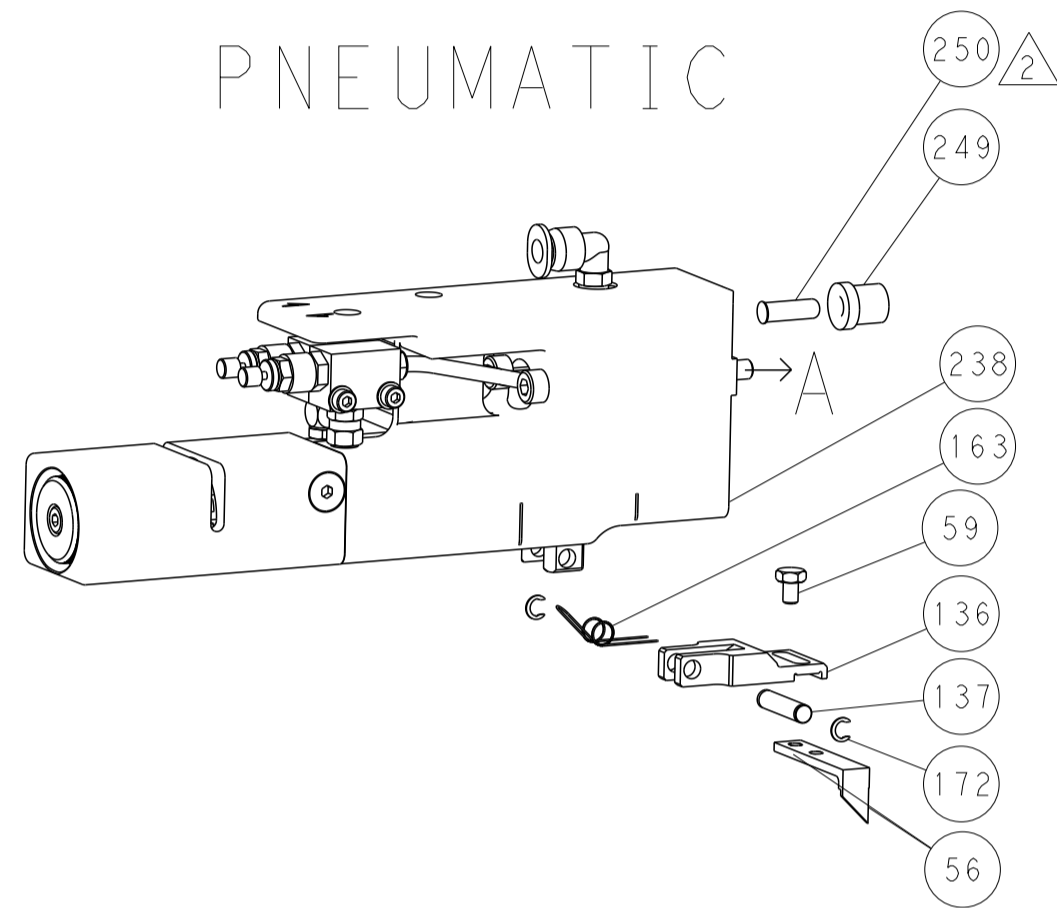
DIMENSIONS:		TOLERANCES UNLESS OTHERWISE SPECIFIED:		DRAWN		CHK		APVD		NAME	
mm	0 PLC ±.5	1 PLC ±.5	2 PLC ±.13	3 PLC ±.013	4 PLC ±.0001	ANGLES ±.0001	FINISH	X. ZHAO	16MAY2014	L. ZHANG	16MAY2014
MATERIAL		FINISH		WEIGHT		SCALE		SHEET		REV	
						A1 00779		C=2266285		A	

Customer Accessible Production Drawing

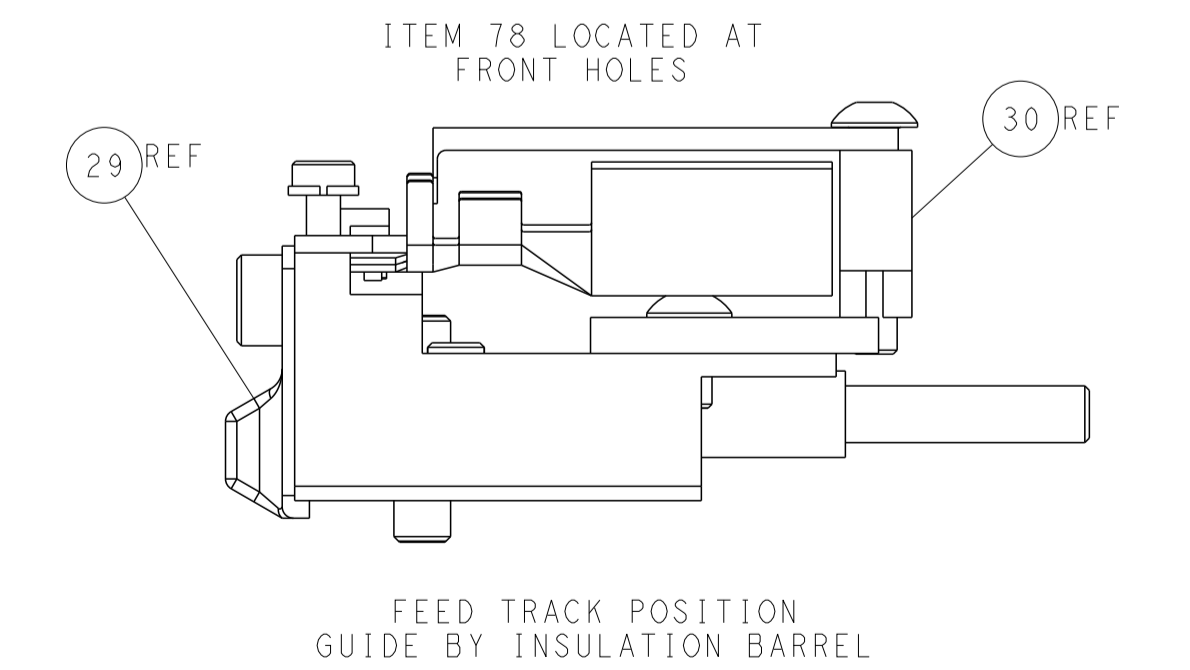
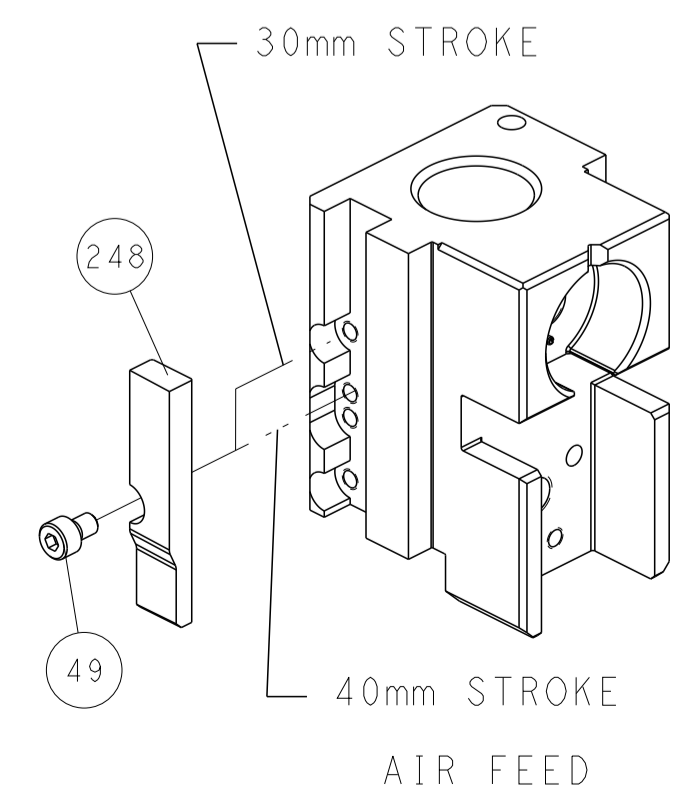
LOC	DIST	REVISIONS			
P	LTN	DESCRIPTION	DATE	OWN	APVD
A	66	SEE SHEET 1			

FEED TYPE

PNEUMATIC



CAM POSITION



ATLANTIC VERSION
 Shown on sheets 1 of 4 & 2 of 4
 (Pacific version shown on sheets 3 of 4 & 4 of 4)

<small>THIS DRAWING IS UNPUBLISHED. RELEASED FOR PUBLICATION. IT IS THE PROPERTY OF TYCO ELECTRONICS CORPORATION. IT IS TO BE USED ONLY FOR THE PURPOSES AND IN THE QUANTITIES SPECIFIED IN THE ORDER. IT IS NOT TO BE REPRODUCED OR TRANSMITTED IN ANY FORM OR BY ANY MEANS, ELECTRONIC OR MECHANICAL, INCLUDING PHOTOCOPYING, RECORDING, OR BY ANY INFORMATION STORAGE AND RETRIEVAL SYSTEM, WITHOUT THE WRITTEN PERMISSION OF TYCO ELECTRONICS CORPORATION.</small>		DWN X.ZHAO 16MAY2014 CHK L.ZHANG 16MAY2014 APVD T.ELBIN 16MAY2014	TE Connectivity Harrisburg, PA 17105-3608
DIMENSIONS: mm TOLERANCES UNLESS OTHERWISE SPECIFIED: 0 PLC ±.5 1 PLC ±0.5 2 PLC ±0.13 3 PLC ±0.013 4 PLC ±0.001 ANGLES ±.0001 FINISH		NAME Ocean Side Feed Applicator PRODUCT SPEC APPLICATION SPEC	SIZE CAGE CODE DRAWING NO RESTRICTED TO A1 00779 C=2266285
MATERIAL:		WEIGHT:	SCALE 1:2 SHEET 2 OF 4 REV A Customer Accessible Production Drawing

PACIFIC VERSION TERMINATOR INTERFACE ADAPTER	PART NUMBER	REVISION	DESCRIPTION	FEED TYPE	APPLICATOR STYLE CONVERSION CHART						
					CONVERT TO	PART NUMBERS REQUIRED					
	2-2266285-2	A	FINE CRIMP HEIGHT ADJUST	PNEUMATIC	-	-	-	-	-	-	-
	2-2266285-7	A	FINE CRIMP HEIGHT ADJUST	NONE	-	-	-	-	-	-	-
	7-2266285-7	A	CRIMP TOOLING KIT	-	-	-	-	-	-	-	-

APPLICATOR DATA		
CRIMP	SIZE	TYPE
WIRE	4.50 mm [.177]	F
INSUL	6.90 mm [.272]	F
APPLICATOR INSTRUCTIONS 408-10389		

TERMINAL DATA: TE TERMINAL		TE CRIMP SPECIFICATION	
TERMINAL NAME: MAXI-POWER-TIMER CONTACT			
WIRE STRIP LENGTH		INSULATION DIAMETER RANGE	
TERMINAL APPLICATION SPECIFICATION	NONE		
TERMINALS APPLIED			
TE TERMINAL	TE TERMINAL	TE TERMINAL	TE TERMINAL
962930-1	1-962930-6	2-962930-1	9-962930-1

WIRE SIZE	CRIMP HEIGHT mm [INCH]	CRIMP HEIGHT REFERENCE SETTING
-		7.0

- RECOMMENDED SPARE PARTS
- GREASE BEARING SURFACES LIGHTLY
- 3. LUBRICATE DAILY PER THE APPLICATOR INSTRUCTION SHEET SUPPLIED WITH THE APPLICATOR.
- 5. ADJUSTMENT OF THE STRIPPER MAY BE REQUIRED WHEN MOVING THE APPLICATOR BETWEEN BENCH AND LEADMAKER APPLICATIONS.
- APPLY PART NUMBER 1-23419-5 LOCTITE TO THREADS OF ITEMS 62 & 242.
- GREASE THREADS, GROOVE AND O-RING ON ITEMS 139 & 152.
- MAGNET MUST BE ORIENTED CORRECTLY IN ORDER TO PROPERLY ACTUATE THE COUNTER.
- CRIMP HEIGHT REFERENCE SETTING WAS THE SETTING USED WHEN THE APPLICATOR WAS QUALIFIED AT THE FACTORY. ADJUSTMENT MAY BE NECESSARY WHEN RUNNING APPLICATOR IN THE FIELD.
- TERMINAL PITCH NOT COMPATIBLE WITH MECHANICAL FEED.
- TO CONVERT THE APPLICATOR TO A NON-CARRIER CUTTING STYLE, REMOVE ITEM 13 AND ATTACH TO THE LOCATION ON BACK SIDE OF THE HOUSING. REFER TO INSTRUCTION SHEET FOR ADDITIONAL INFORMATION.
- REFER TO TERMINAL 962931 FOR GENERAL LOOSE PIECE CONFIGURATION OF PREFORM AND CUT OFF TAB.

***WARNING**
 ON INSTALLATION, SET WIRE DISC, ITEM 40 TO LARGEST WIRE SIZE SETTING. USE OF SETTINGS BELOW MINIMUM REQUIRED CRIMP HEIGHT SETTING WILL CAUSE DAMAGE TO CRIMP TOOLING.

SET UP GAUGE	LOC	DIST	REVISIONS			
2119599-1	A	66	REV	DATE	BY	APPD
			-	SEE SHEET 1	-	-

-	1	1	2119782-1	FINE ADJUST HEAD ASM, PACIFIC STYLE	251
-	-	1	2119640-1	PUSH ROD, AIR FEED	250
-	-	1	2079988-1	BUSHING, LCH5-12, MISUMI	249
-	1	1	1-22279-3	SPRING, COMPRESSION	246
-	1	1	2119082-9	CAM, SNAIL, INSULATION ADJUSTMENT	244
-	1	1	2079764-1	WASHER, WAVE SPRING, CREST-TO-CREST	243
	-	1	2119083-1	RETAINER, INSULATION DIAL	242
-	1	1	7-18023-7	SCR, SKT HD CAP M3 X 4.0	241
-	-	1	2063440-2	AIR FEED MODULE	238
-	-	-	2119740-2	TAG, IDENTIFICATION	213
-	-	2	21045-3	RING, RETAIN, EXTERN, 3/16 CRESCENT	172
-	1	1	994969-1	MAGNET, RARE EARTH HIGH ENERGY	166
-	REF	REF	994970-2	COUNTER, MAGNETIC	164
-	-	1	240638-1	SPRING, FEED FINGER	163
-	1	1	8-21084-1	O-RING, .801 ID, .070 DIA. MAT.	152
-	-	1	2119641-2	FEED CAM, AIR FEED	151
-	1	1	2119798-2	DETENT PIN	145
-	1	1	2079383-8	SCR, BHSC, RoHS (M4 X 16)	144
-	2	2	2168400-5	SHCS, LOW HEAD, RoHS, M4 X 20	143
-	1	1	1-2119656-0	APPLICATOR BASIC ASSEMBLY, SF	141
-	1	1	2161312-1	RAM, STEPPED, PACIFIC STYLE, SIDE FEED	140
-	1	1	2119092-2	BOLT, ADJUSTMENT	139
-	-	1	3-23627-7	PIN, RETAIN, GRVD, 3/16 X .854	137
-	-	1	2119799-1	HOLDER, FEED FINGER, AF	136
-	1	1	1-18028-2	WASHER, FLAT, REG M4	119
-	1	1	2-455888-8	SPACER, CRIMPER	82
-	2	2	18024-6	SCR, BTN SKT HD CAP (M4 X 8.0)	79
-	1	1	1633470-2	EXTENSION PLATE	78
-	1	1	2119956-1	DOCUMENTATION PACKAGE	71
-	1	1	2119740-1	TAG, IDENTIFICATION	67
-	2	2	2168078-1	SCREW, DRIVE, RH, RoHS, 2 x .188	66
	-	1	2119793-1	LIMITER, ADJUSTMENT BOLT	63
-	3	3	992763-5	SCR, SET, SOC, CONE POINT, M3 x 4.0	62
-	-	1	5-18022-5	SCR, HEX HD CAP, M4 X 6.0	59
-	-	1	1338685-1	PAWL, FEED	56
-	-	1	18023-9	SCR, SKT HD CAP M4 X 6.0	49
-	1	1	1-2079383-5	SCR, BHSC, RoHS (M8 X 40)	41
-	1	1	2119645-1	DISC, NUMBERED FA WIRE ADJUSTMENT	40
-	1	1	2119957-1	APPLICATOR SHIM PACK	39
-	1	1	2119644-2	RAM WASHER, PRECISION	38
-	2	2	2079383-5	SCR, BHSC, RoHS (M4 X 20)	33
-	1	1	2161328-1	HEX HEAD, FLANGED, M5 x 8mm LONG	32
-	1	1	1-1320908-0	SPACER, STRIP GUIDE	30
-	1	1	2119959-2	ASSEMBLY, STRIP GUIDE	29
-	1	1	455888-5	SPACER, CRIMPER	28
-	1	1	1320928-4	STRIP GUIDE	24
-	1	1	2168083-2	SCR, SKT HD CAP, RoHS, M4 X 8.0	21
-	1	1	1-18028-2	WASHER, FLAT, REG M4	20
-	1	1	1803013-1	STRIPPER, SIDE FEED	19
	-	1	2119806-1	INSERT, SHEAR	13
-	1	1	3-22280-3	SPRING, COMPRESSION	12
-	1	1	1-356885-4	STOP, SHEAR	11
	-	1	2119805-1	SHEAR HOLDER, FRONT	10
	-	1	454276-5	FLOATING SHEAR, FRONT	9
	1	1	1-1633711-1	ANVIL, COMBINATION	8
-	-	-	-	-	7
-	-	-	-	-	6
-	1	1	2119757-8	DEPRESSOR, SHEAR	5
-	1	1	3-238011-8	BLOCK, CRIMPER SPACER	4
	1	1	2161908-5	CRIMPER, INSULATION O	3
-	1	1	1-455888-4	SPACER, CRIMPER	2
	1	1	2-1333296-5	CRIMPER, WIRE LOOSE PIECE	1

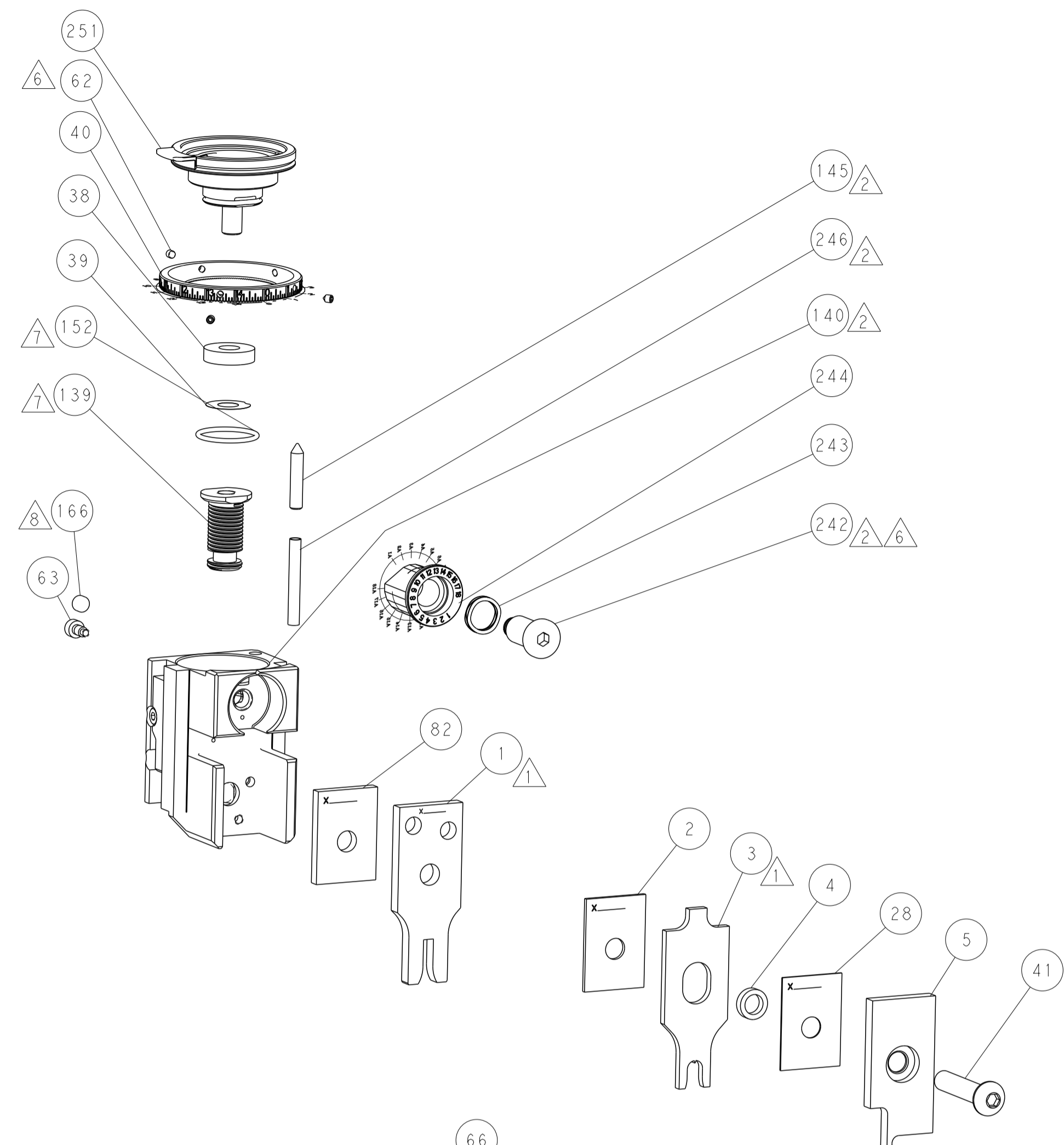
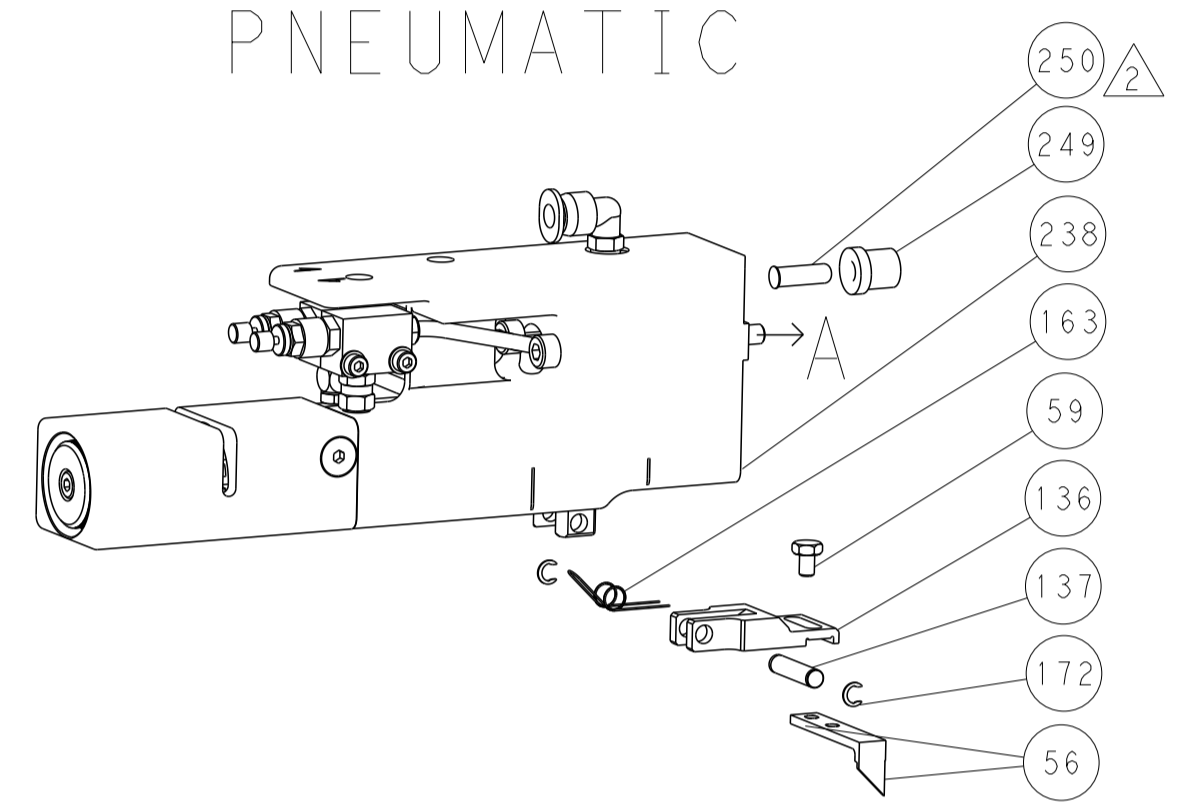
PACIFIC VERSION
 Shown on sheets 3 of 4 & 4 of 4
 (Atlantic version shown on sheets 1 of 4 & 2 of 4)

DIMENSIONS:	TOLERANCES UNLESS OTHERWISE SPECIFIED:	APVD	NAME
mm	0 PLC ±.5 1 PLC ±0.5 2 PLC ±0.13 3 PLC ±0.013 4 PLC ±0.001 ANGLES ±.1	APVD I. ELBIN 16MAY2014	NAME Ocean Side Feed Applicator
MATERIAL	FINISH	WEIGHT	SIZE CASE CODE DRAWING NO A1 00779 C=2266285
Customer Accessible Production Drawing		SCALE	SHEET 3 OF 4 REV A

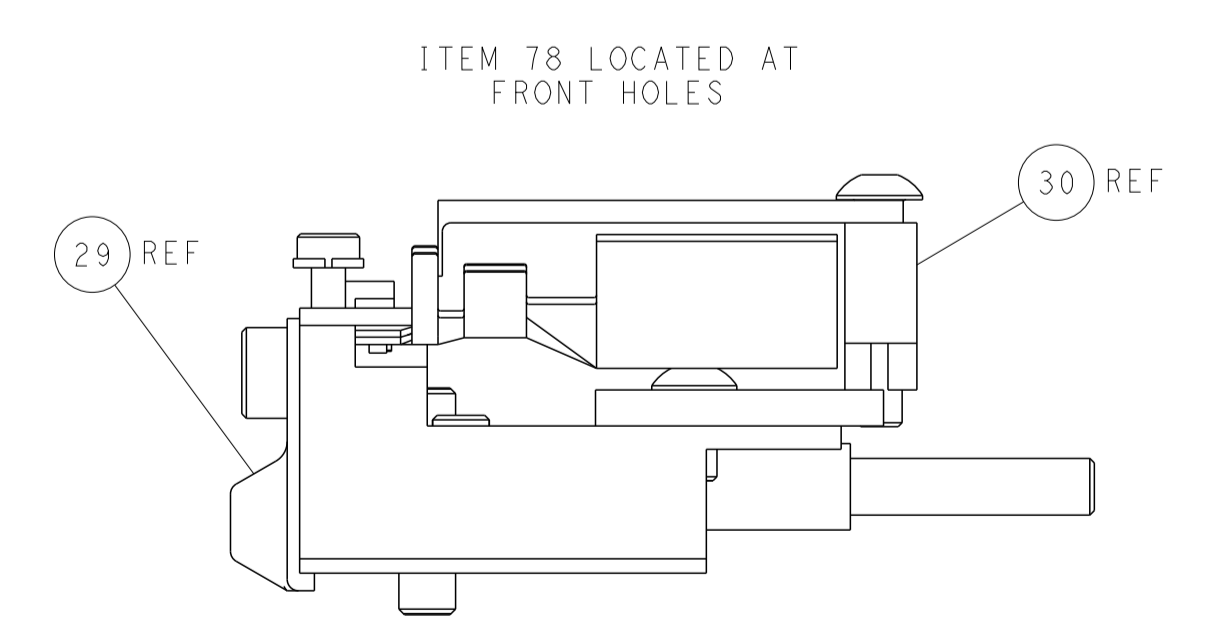
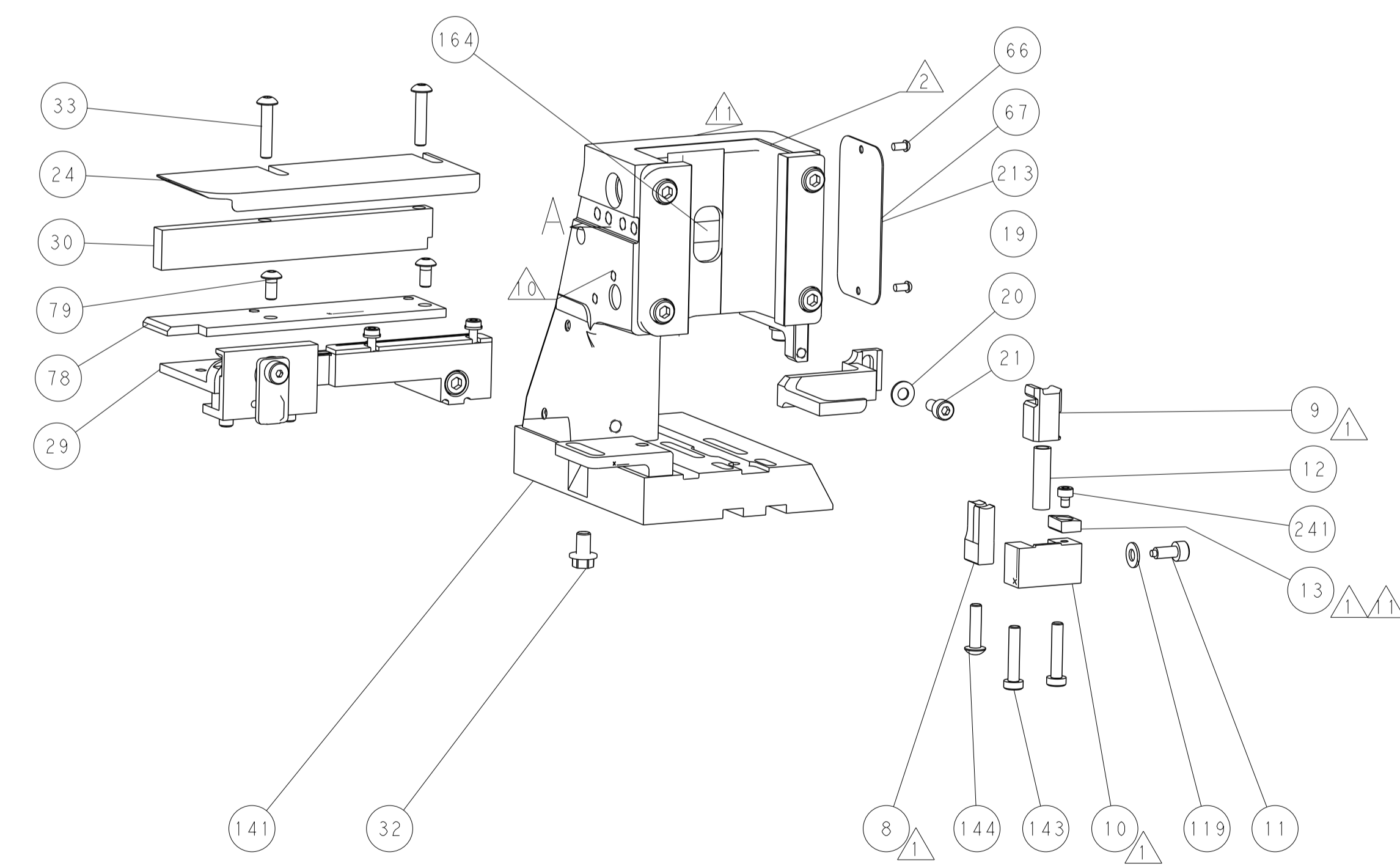
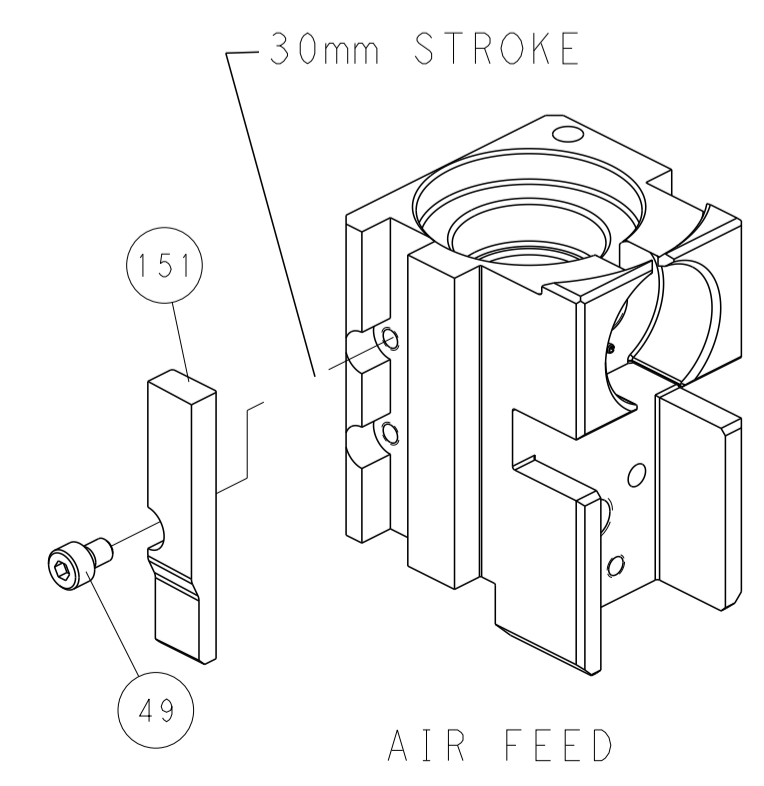
LOC		DIST		REVISIONS			
P	LTN	DESCRIPTION	DATE	DMN	APVD		
-	-	SEE SHEET 1	-	-	-		

FEED TYPE

PNEUMATIC



CAM POSITION



ITEM 78 LOCATED AT FRONT HOLES

PACIFIC VERSION
 Shown on sheets 3 of 4 & 4 of 4
 (Atlantic version shown on sheets 1 of 4 & 2 of 4)

DIMENSIONS:		TOLERANCES UNLESS OTHERWISE SPECIFIED:		DMN X.ZHAO 16MAY2014	TE Connectivity Harrisburg, PA 17105-3608
mm	0 PLC ±0.5	1 PLC ±0.5	2 PLC ±0.13	CHK L.ZHANG 16MAY2014	
	3 PLC ±0.013	4 PLC ±0.001	ANGLES ±0.0001	APVD T.ELBIN 16MAY2014	NAME Ocean Side Feed Applicator
MATERIAL	FINISH	WEIGHT	SCALE 1:2	SIZE A1 00779 C=2266285	RESTRICTED TO
			SHEET 4 OF 4	Customer Accessible Production Drawing	REV A