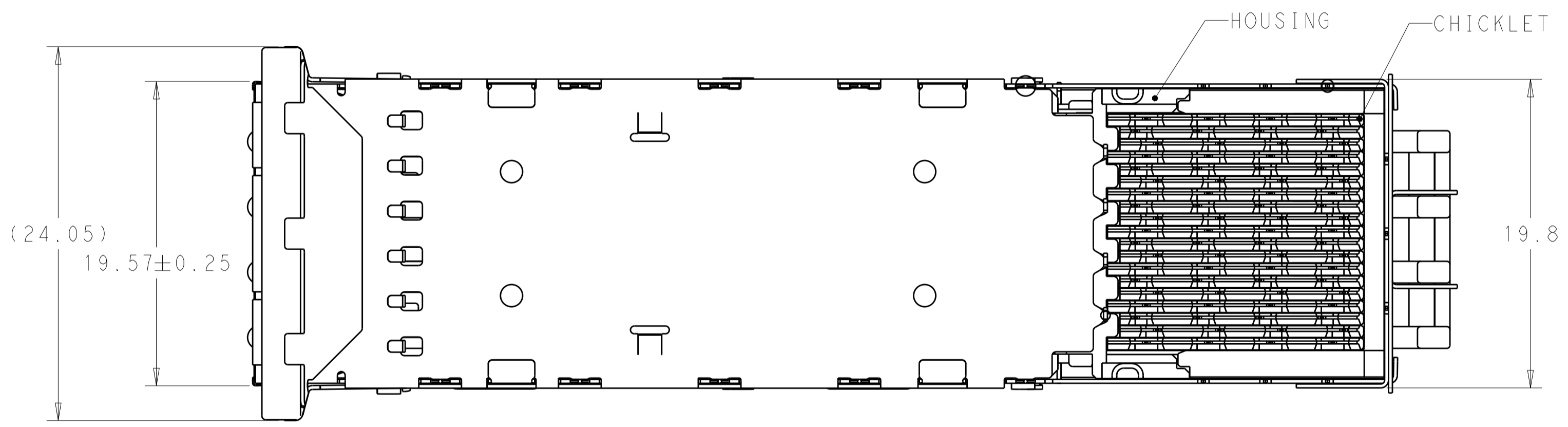
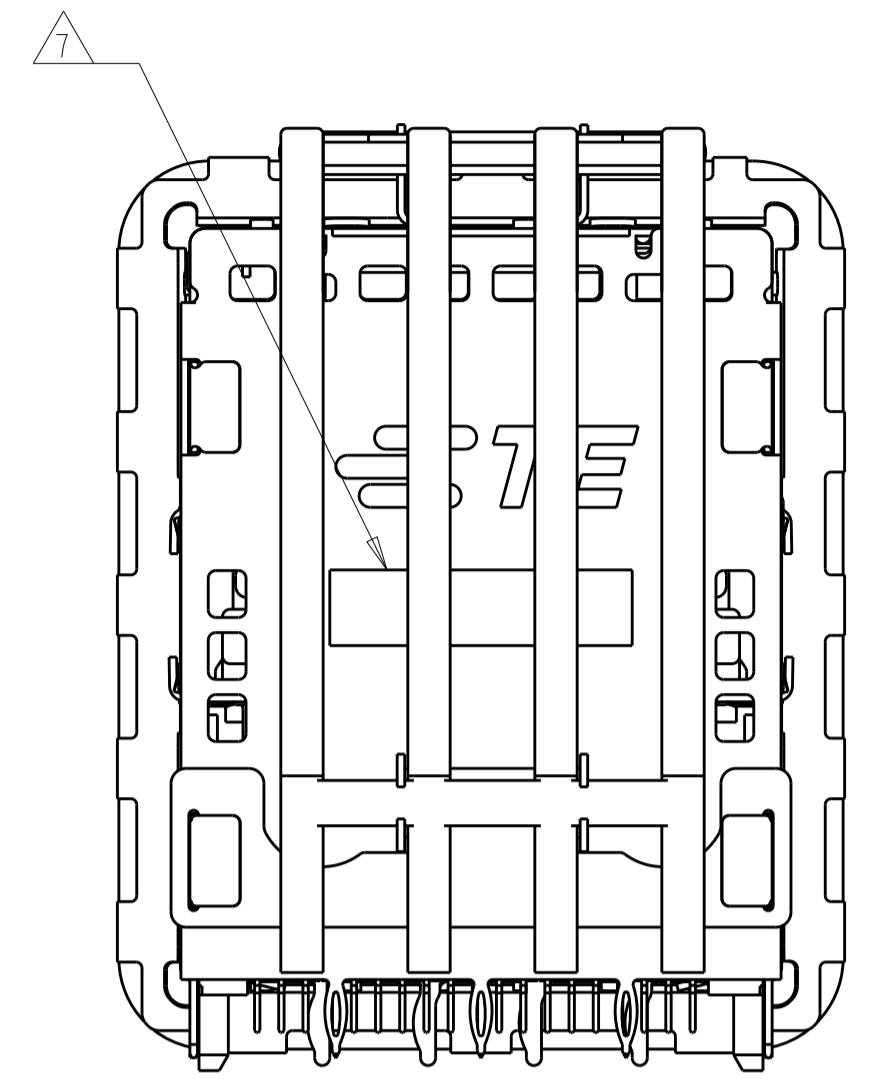
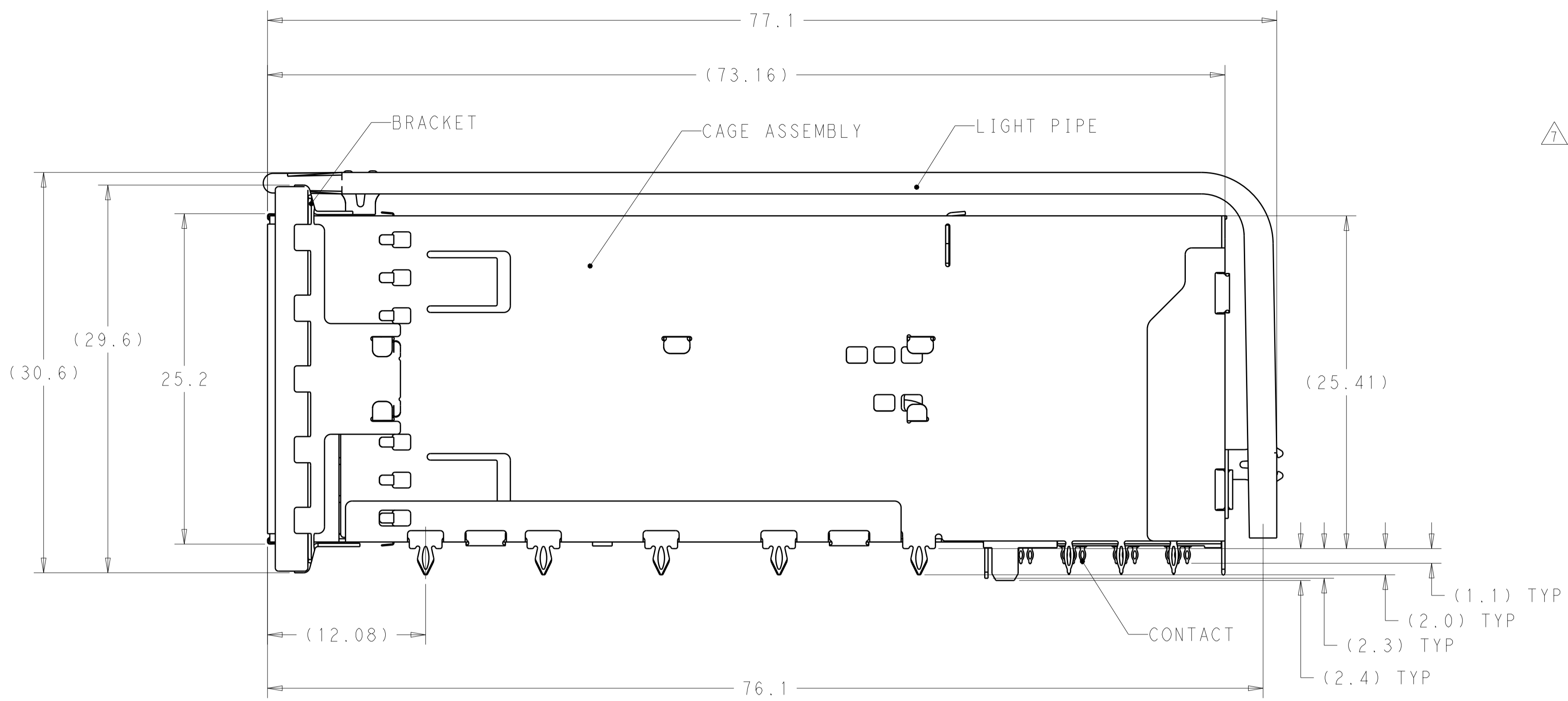
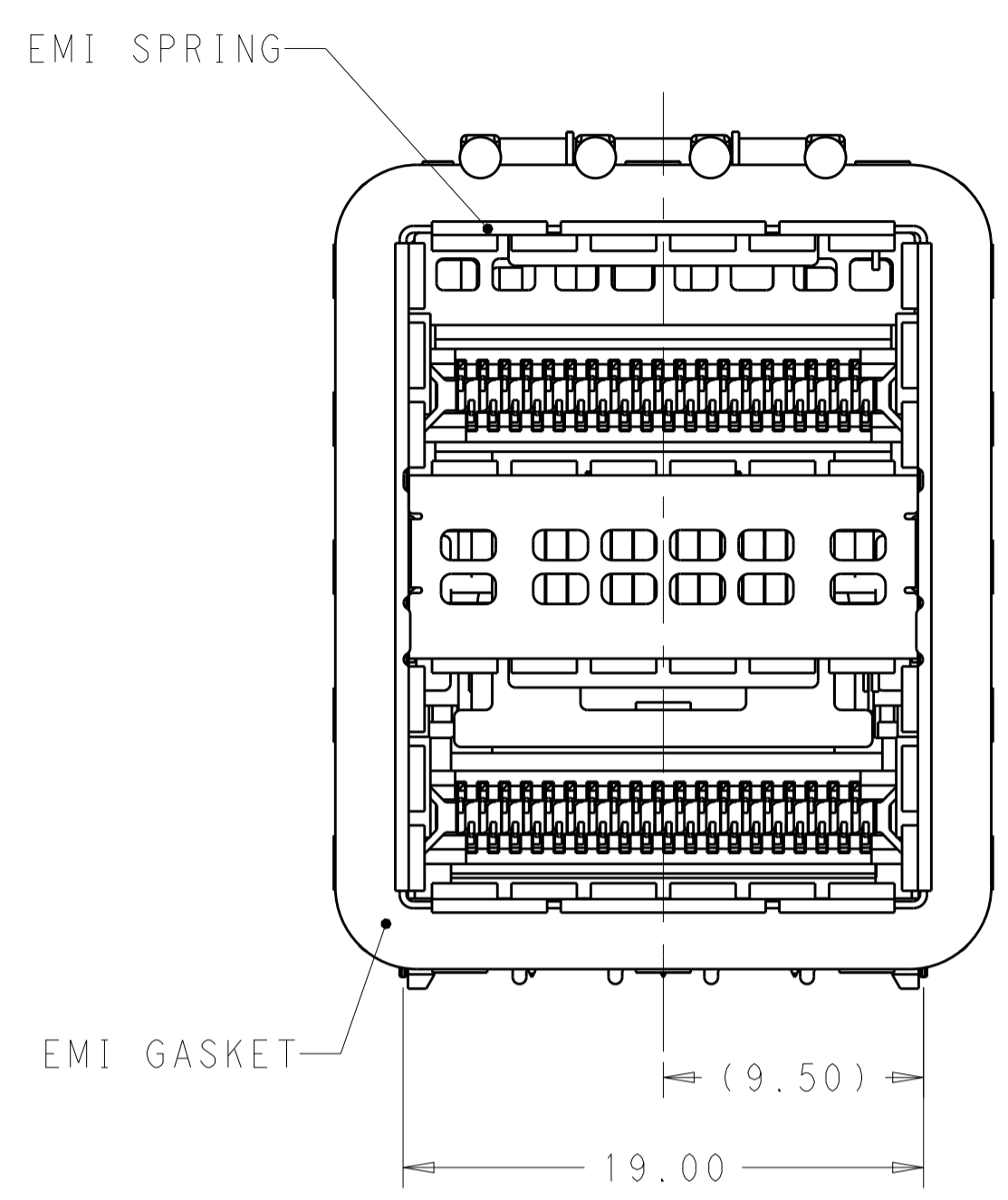


REVISIONS				
P.	LTN	DESCRIPTION	DATE	OWN APVD
1		INITIAL RELEASED	11OCT13	KD JY
2		REVISED TABS BENDED DIRECTION PER ACTUAL	30MAR2015	TX JY



1. MATERIALS:
 CAGE ASSEMBLY- NICKEL SILVER ALLOY PER ASTM B 122.
 BRACKET- STAINLESS STEEL.
 EMI SPRING- COPPER ALLOY, NICKEL PLATED.
 EMI GASKET- PLATED FILLED SILICONE WITH 94V-0.
 HOUSING- POLYESTER LCP WITH 94V-0.
 CHICKLET- POLYESTER LCP WITH 94V-0.
 CONTACT- COPPER ALLOY.
 LIGHTPIPE- POLYCARBONATE WITH 94V-0.

- 2 CONTACT FINISH: 0.76µm GOLD ON MATING END, 1.25µm MATT TIN ON SOLDER TAIL, ALL OVER 1.27µm NICKEL.
 3 DATUM AND BASIC DIMENSION ESTABLISHED BY CUSTOMER.
 4. MINIMUM PCB THICKNESS: 1.57mm.
 5 THE ENTIRE AREA OF THE CONNECTOR FOOTPRINT, INDICATED BY THE DASHED LINE, TO BE CONSIDERED THE KEEPOUT AREA FOR COMPONENTS.
 6 CROSS-HATCHED AREAS REPRESENT ZONES ON THE PCB THAT COME IN CONTACT WITH OR BE IN CLOSE PROXIMITY TO THE PLASTIC HOUSING OR THE CONNECTOR CAGE. INDICATED AREAS TO BE CONSIDERED TRACE FREE.
 7 PART NUMBER AND DATE CODE MARKED IN APPROXIMATE AREA SHOWN.
 8 HATCHED AREA IS PLACEMENT ZONE FOR LED. LED SHOULD BE CENTERED WITHIN ZONE. RECOMMEND 0805 PACKAGE.
 9 CONTACT FINISH: 0.08µm MINIMUM GOLD OVER 0.68µm PALLADIUM-NICKEL ON MATING END, 1.25µm MATT TIN ON SOLDER TAIL, ALL OVER 1.27µm NICKEL.

PRELIMINARY - NOT RELEASED FOR PRODUCTION

THIS PRODUCT HAS NOT COMPLETED VALIDATION AND QUALIFICATION TESTING

CONTACT FINISHED	DESCRIPTION	PART NUMBER
9	Pd-Ni PLATING	2170608-2
2	Au PLATING	2170608-1

THIS DRAWING IS A CONTROLLED DOCUMENT. DWG: HEVIN DING 11OCT13
 CHK: JASON YANG 11OCT13
 APVD: JASON YANG 11OCT13

DIMENSIONS: mm
 TOLERANCES UNLESS OTHERWISE SPECIFIED:
 0 PLC ±.25
 1 PLC ±0.15
 2 PLC ±0.15
 3 PLC ±0.013
 4 PLC ±0.0001
 ANGLES ±.7°

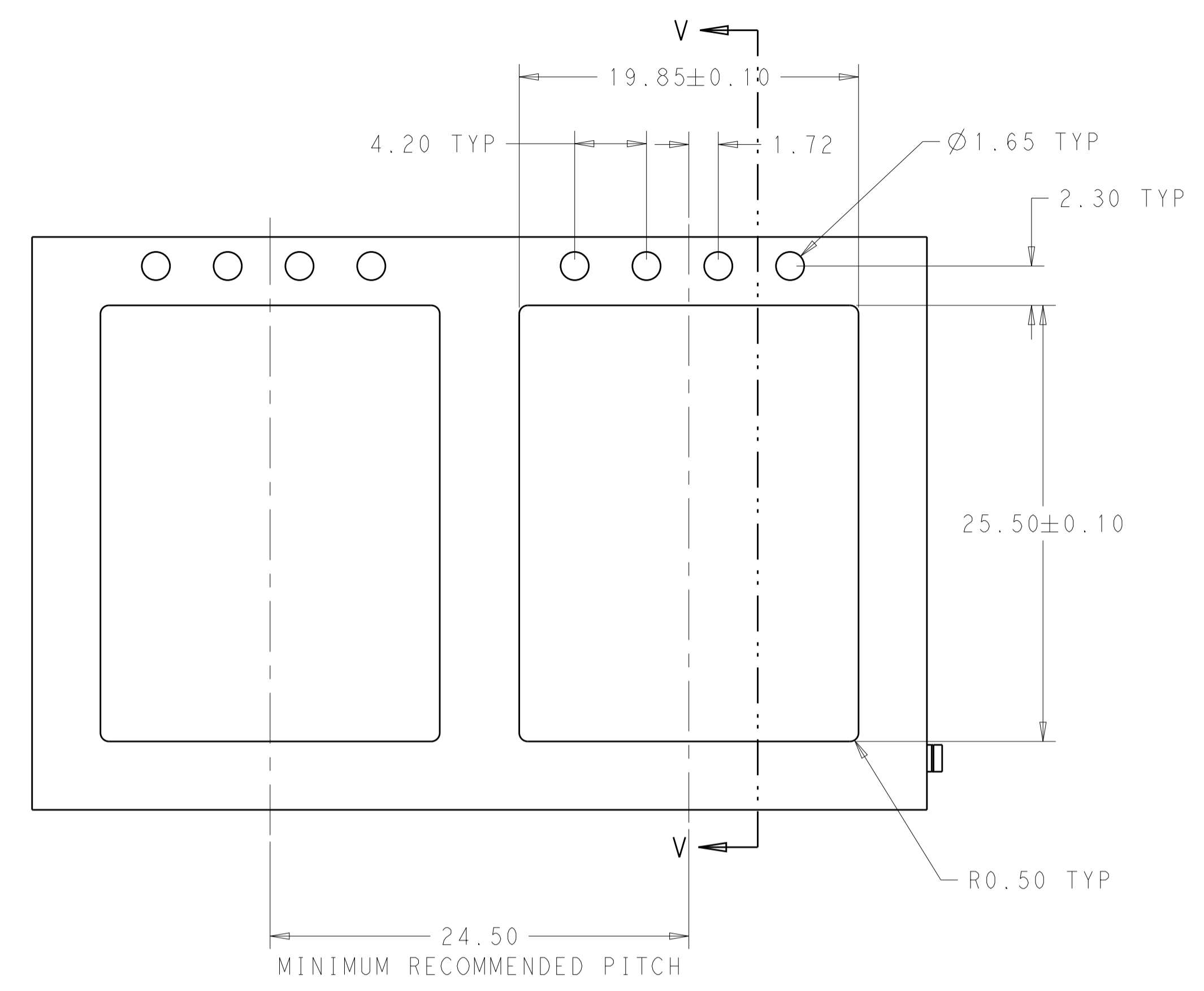
MATERIAL: SEE NOTE 1
 FINISH: SEE NOTE 2

Customer Drawing

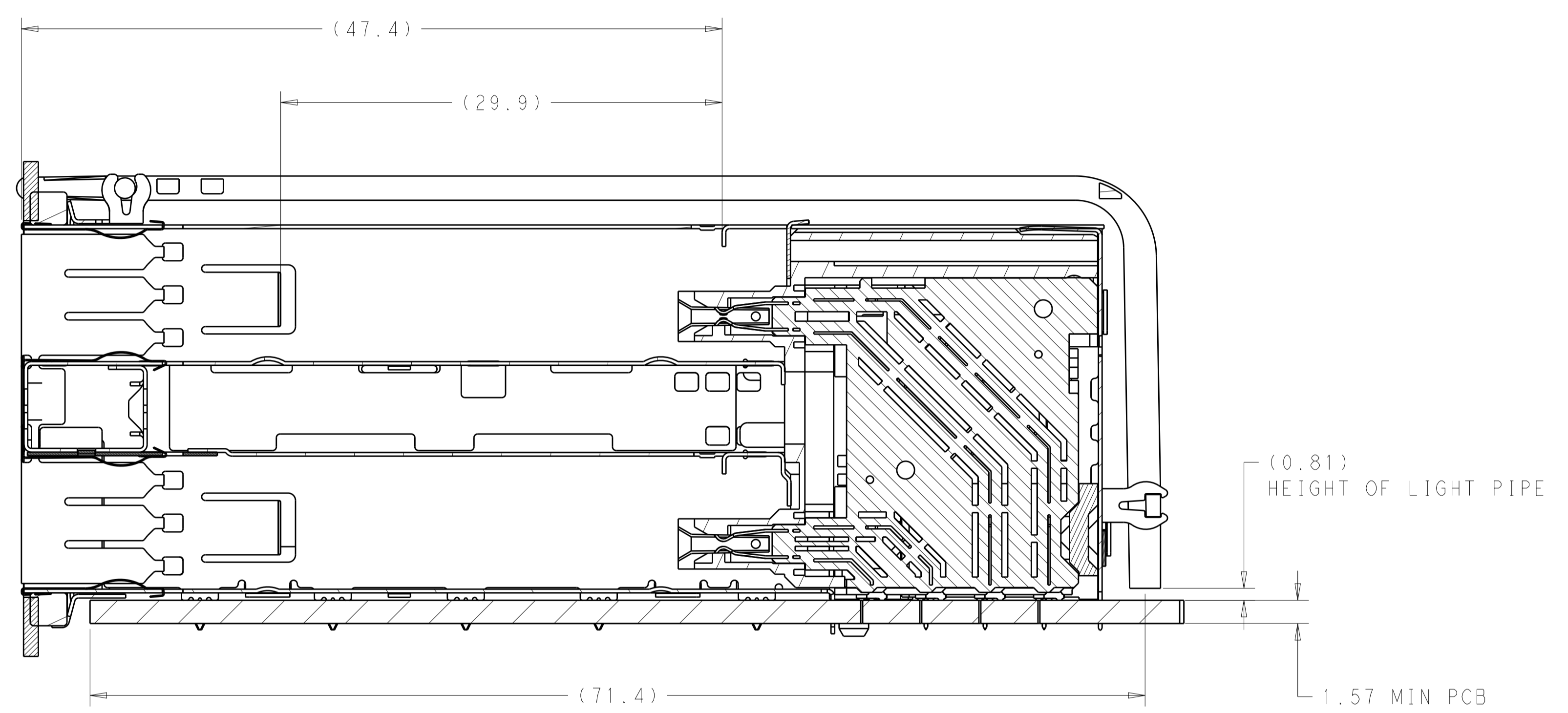
SCALE: 4:1 SHEET 1 OF 4 REV 2

STE TE Connectivity
PRELIMINARY
 CAGE AND CONNECTOR ASSEMBLY WITH EMI GASKET, 2X1 THERMAL FOOTPRINT, ZQSFP+STACKED

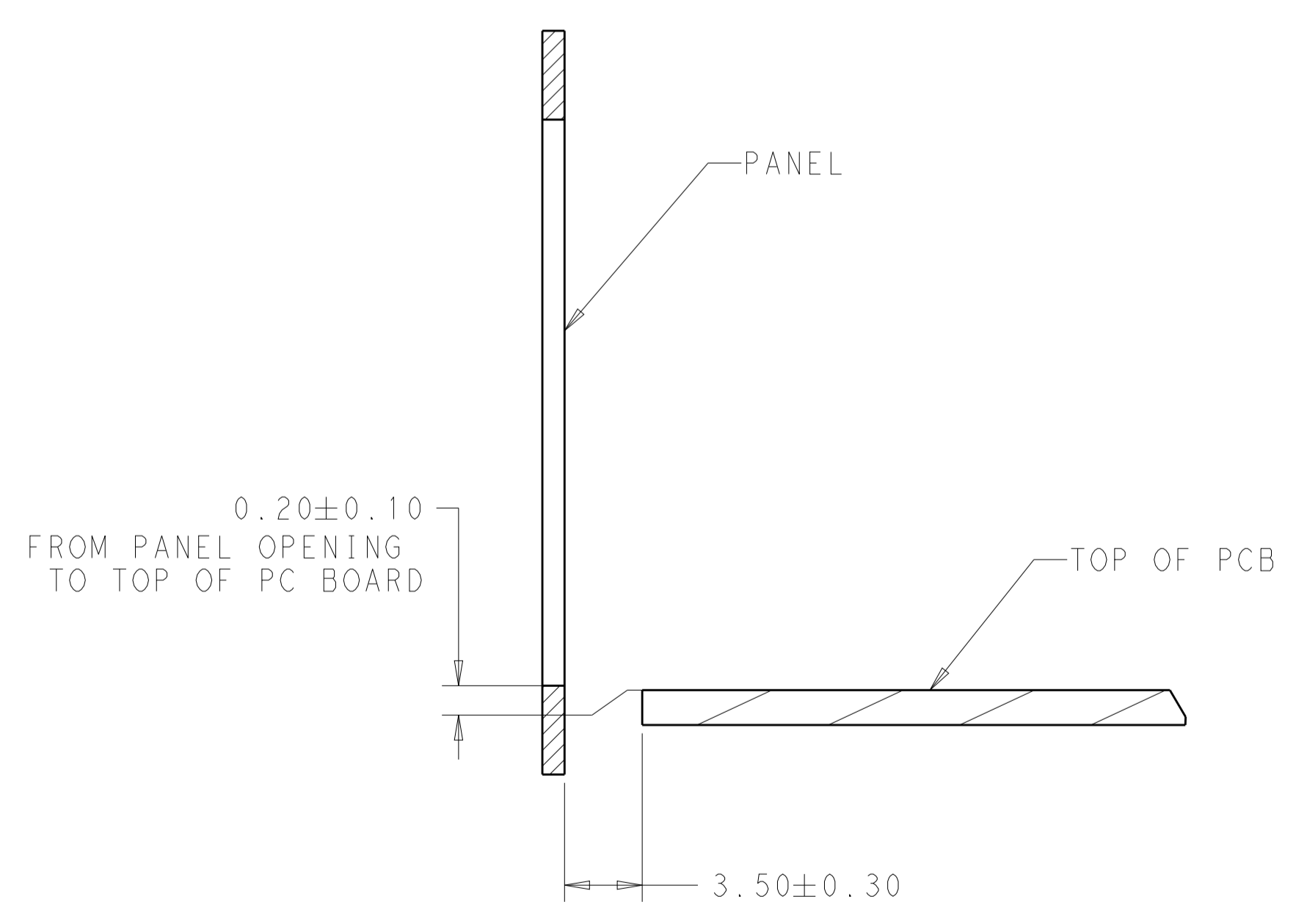
REVISIONS				
P.	LTN.	DESCRIPTION	DATE	APVD.
-	-	SEE SHEET 1	-	-



RECOMMEND PANEL CUTOUT
 AND PC BOARD, PANEL POSITION



SECTION V-V
 SCALE 4:1



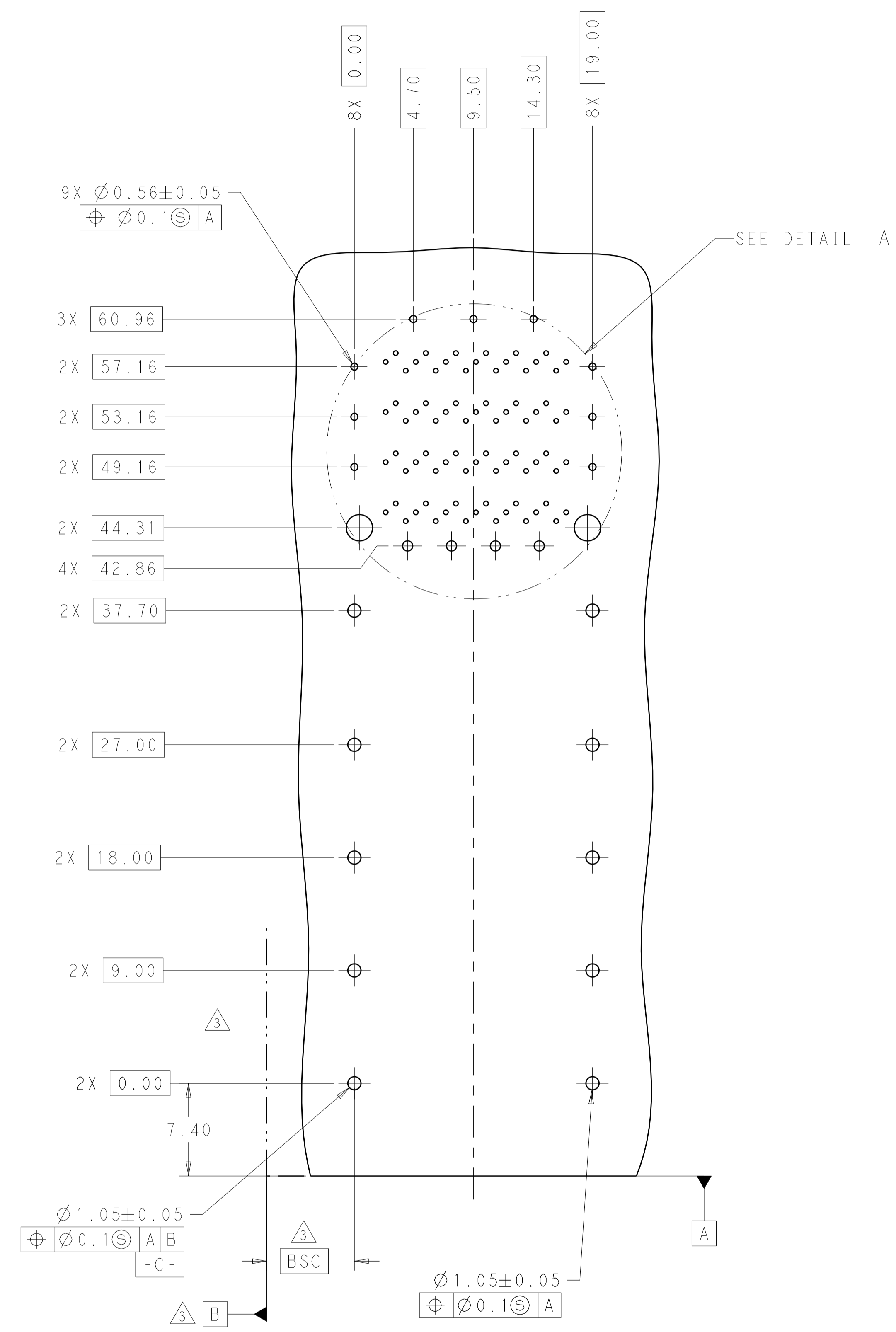
SECTION V-V
 SCALE 4:1

THIS PRODUCT HAS NOT
 COMPLETED VALIDATION AND
 QUALIFICATION TESTING

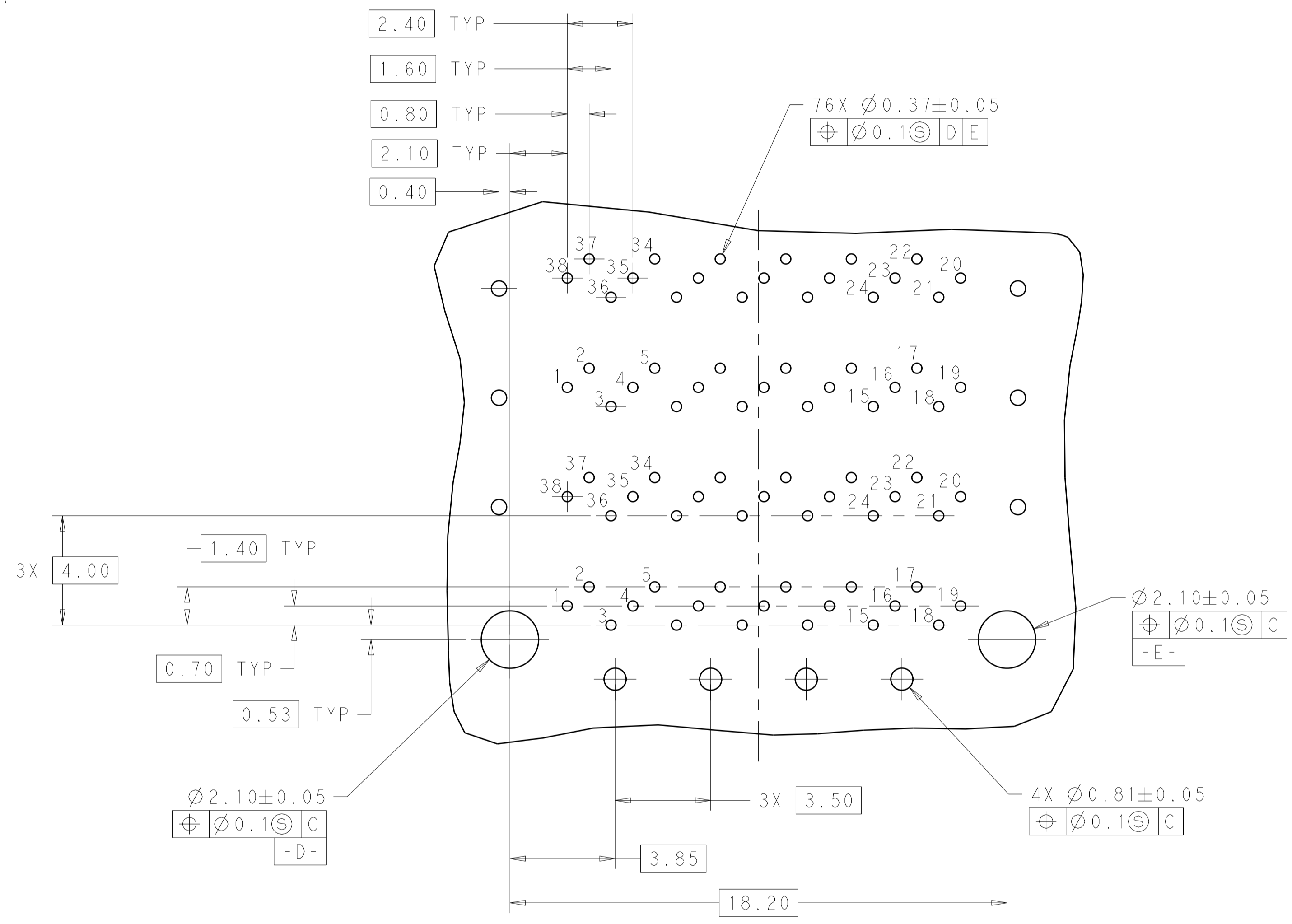
PRELIMINARY - NOT RELEASED FOR PRODUCTION

THIS DRAWING IS A CONTROLLED DOCUMENT.		OWN: REVIN DING 170CT13	TE Connectivity
DIMENSIONS: mm		CHK: JASON YANG 170CT13	
TOLERANCES UNLESS OTHERWISE SPECIFIED:		APVD: JASON YANG 170CT13	NAME: CAGE AND CONNECTOR ASSEMBLY, WITH EMI GASKET, 2X1, THERMAL FOOTPRINT, ZQSFP+STACKED
0 PLC ±	1 PLC ±0.25	PRODUCT SPEC	SIZE: A100779C=2170608
2 PLC ±0.15	3 PLC ±0.013	APPLICATION SPEC	RESTRICTED TO
4 PLC ±0.0001	ANGLES ±0.001°	WEIGHT	SCALE: 4:1 SHEET 2 OF 4 REV 2
MATERIAL: SEE NOTE 1	FINISH: SEE NOTE 2	Customer Drawing	

REVISIONS				
P.	LTN.	DESCRIPTION	DATE	APPROV.
-	-	SEE SHEET 1	-	-



RECOMMENDED PCB BOARD LAYOUT
 COMPONENT SIDE OF BOARD
 PCB TOLERANCE: ± 0.05



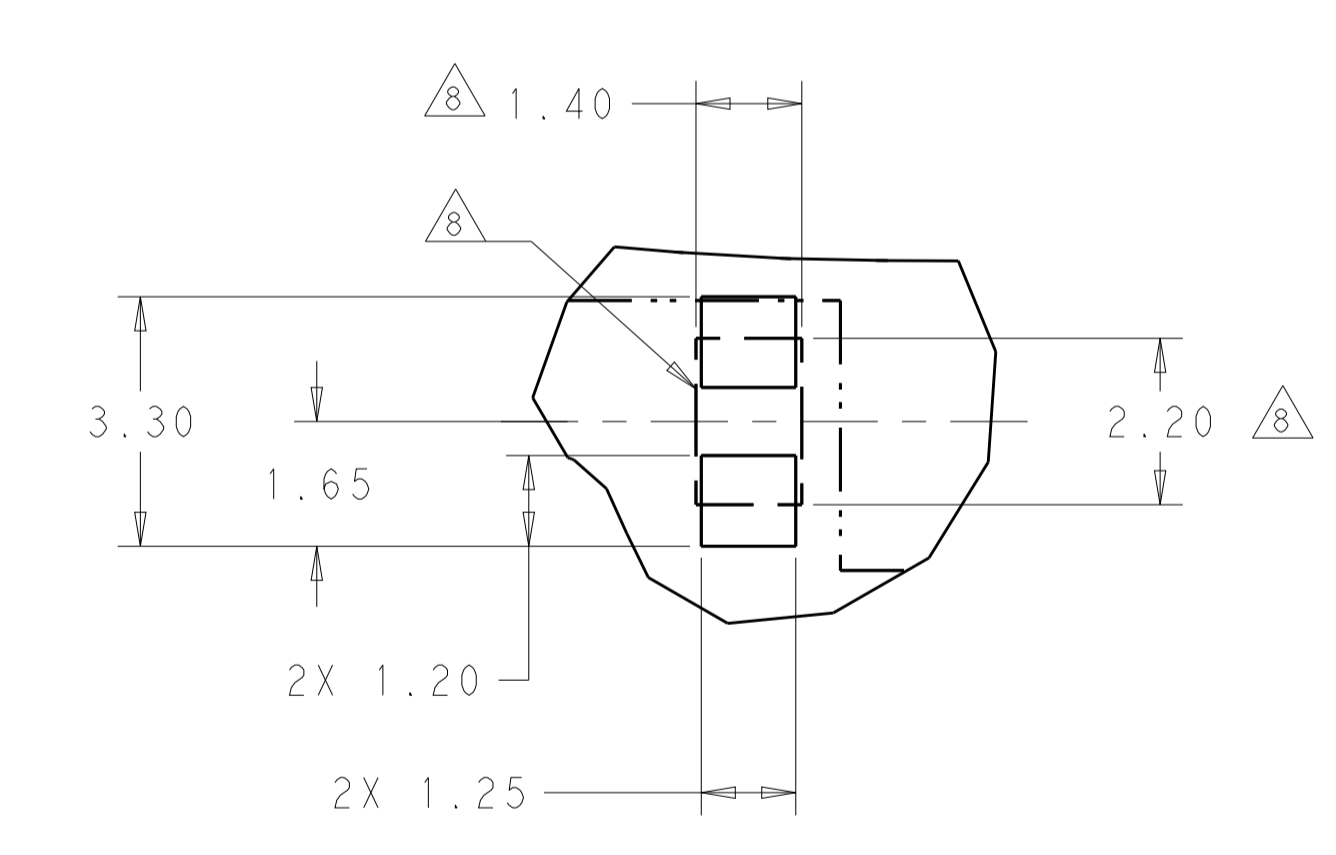
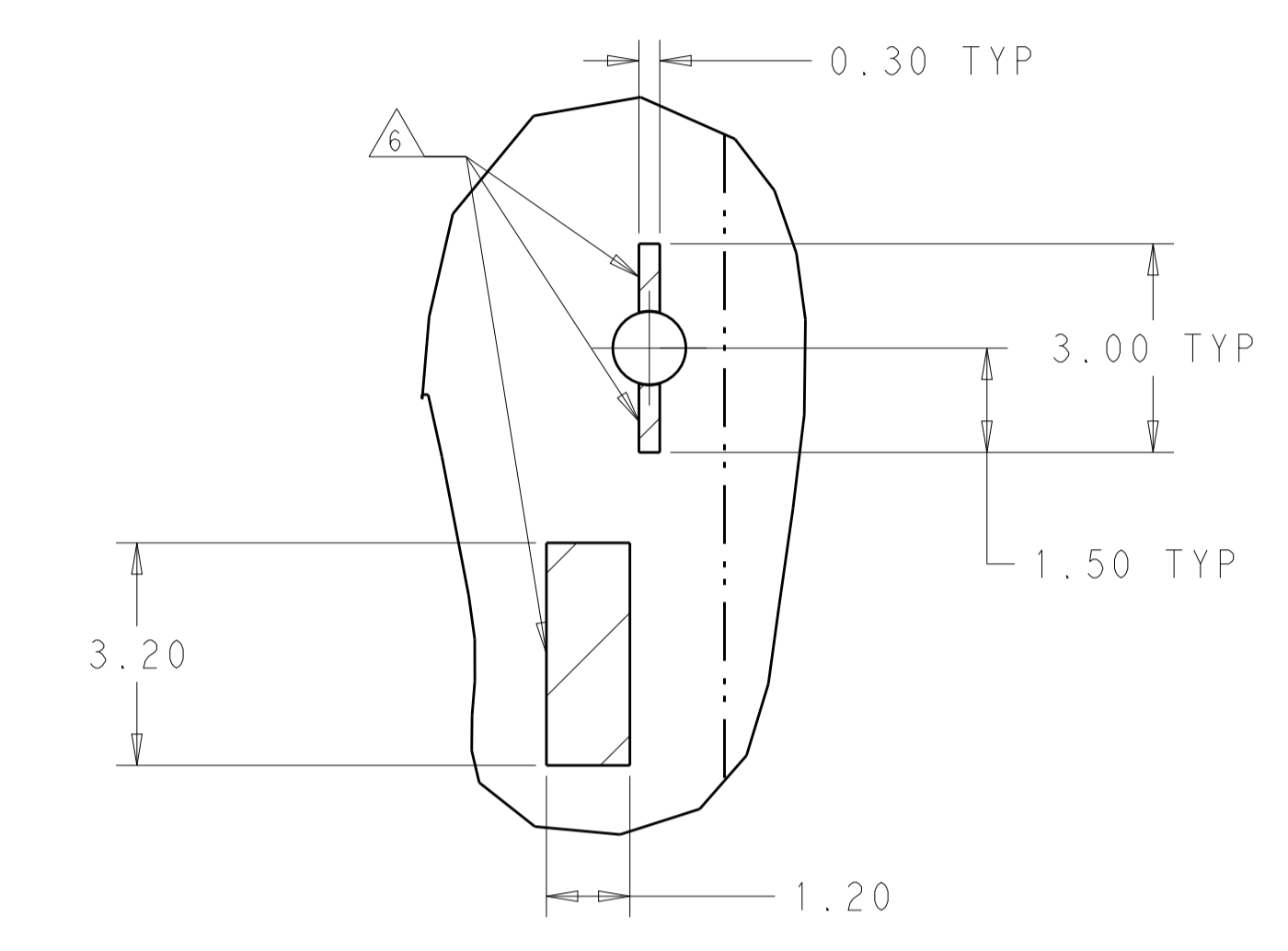
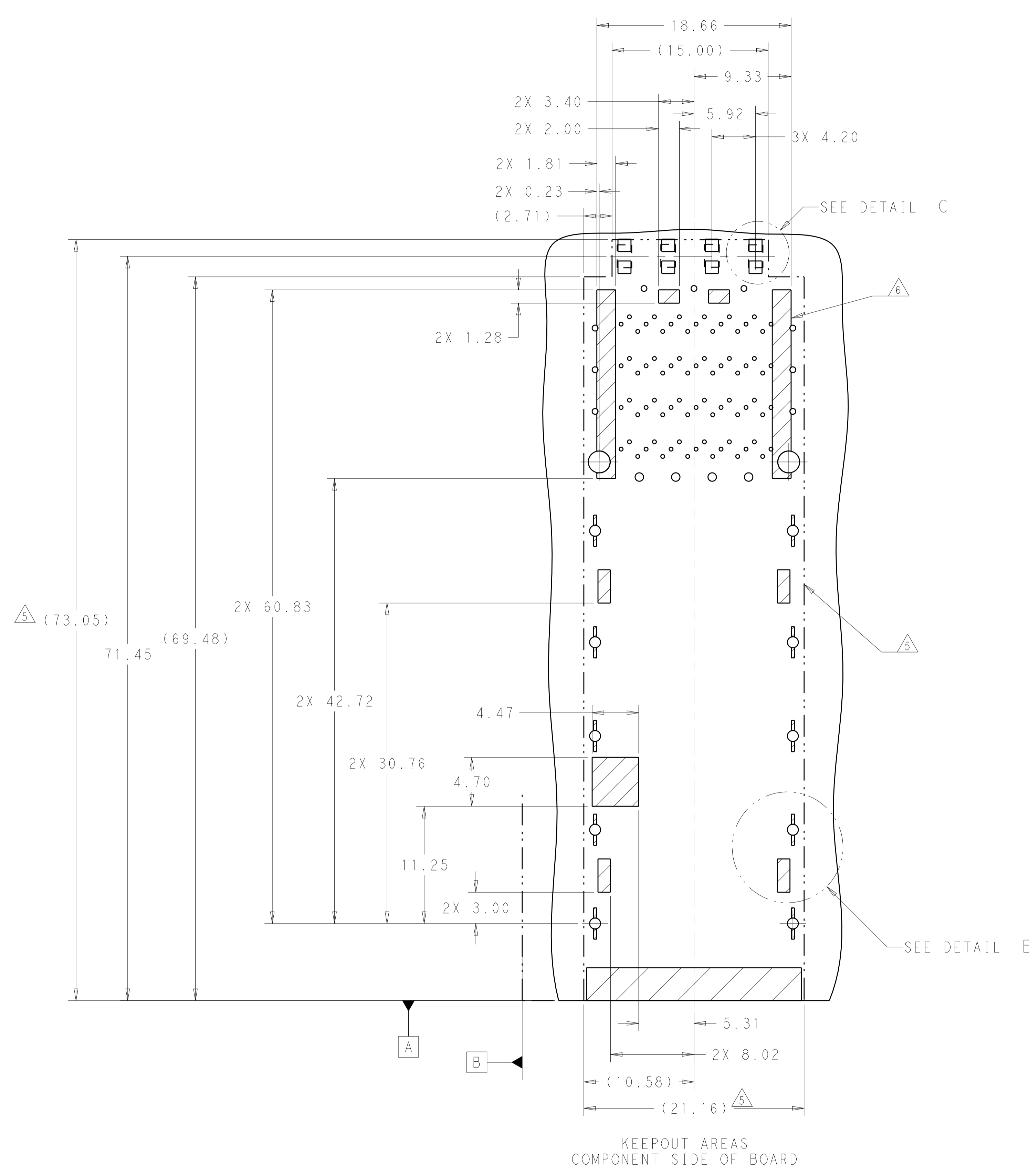
DETAIL A
 SCALE 8:1

PRELIMINARY - NOT RELEASED FOR PRODUCTION

THIS PRODUCT HAS NOT COMPLETED VALIDATION AND QUALIFICATION TESTING

THIS DRAWING IS A CONTROLLED DOCUMENT.		OWN: REVIN DING 170CT13	TE Connectivity
DIMENSIONS: mm		CHK: JASON YANG 170CT13	
		APVD: JASON YANG 170CT13	NAME: CAGE AND CONNECTOR ASSEMBLY, WITH EMI GASKET, 2X1, THERMAL FOOTPRINT, ZQSFP+STACKED
TOLERANCES UNLESS OTHERWISE SPECIFIED:		PRODUCT SPEC	SIZE: CAGE CODE DRAWING NO. RESTRICTED TO
0 PLC ± 0.25		APPLICATION SPEC	A100779C=2170608
1 PLC ± 0.15		WEIGHT	SCALE 4:1 SHEET 3 OF 4 REV 2
2 PLC ± 0.10		Customer Drawing	
3 PLC ± 0.075			
4 PLC ± 0.05			
ANGLES ± 0.0001			
FINISH: SEE NOTE 2			

REVISIONS				
P.	LTN.	DESCRIPTION	DATE	APP'D.
-	-	SEE SHEET 1	-	-



PRELIMINARY - NOT RELEASED FOR PRODUCTION

THIS PRODUCT HAS NOT COMPLETED VALIDATION AND QUALIFICATION TESTING

THIS DRAWING IS A CONTROLLED DOCUMENT.		OWN: REVIN DING 170CT13	TE Connectivity
DIMENSIONS: mm		CHK: JASON YANG 170CT13	
TOLERANCES UNLESS OTHERWISE SPECIFIED: 0 PLC ±0.25 1 PLC ±0.15 2 PLC ±0.13 3 PLC ±0.10 4 PLC ±0.08 ANGLES ±0.0001°		APVD: JASON YANG 170CT13	NAME: CAGE AND CONNECTOR ASSEMBLY, WITH EMI GASKET, 2X1, THERMAL FOOTPRINT, ZQSFP+STACKED
MATERIAL: SEE NOTE 1		FINISH: SEE NOTE 2	RESTRICTED TO: A100779C=2170608
		WEIGHT: -	SCALE: 4:1 SHEET 4 OF 4 REV 2