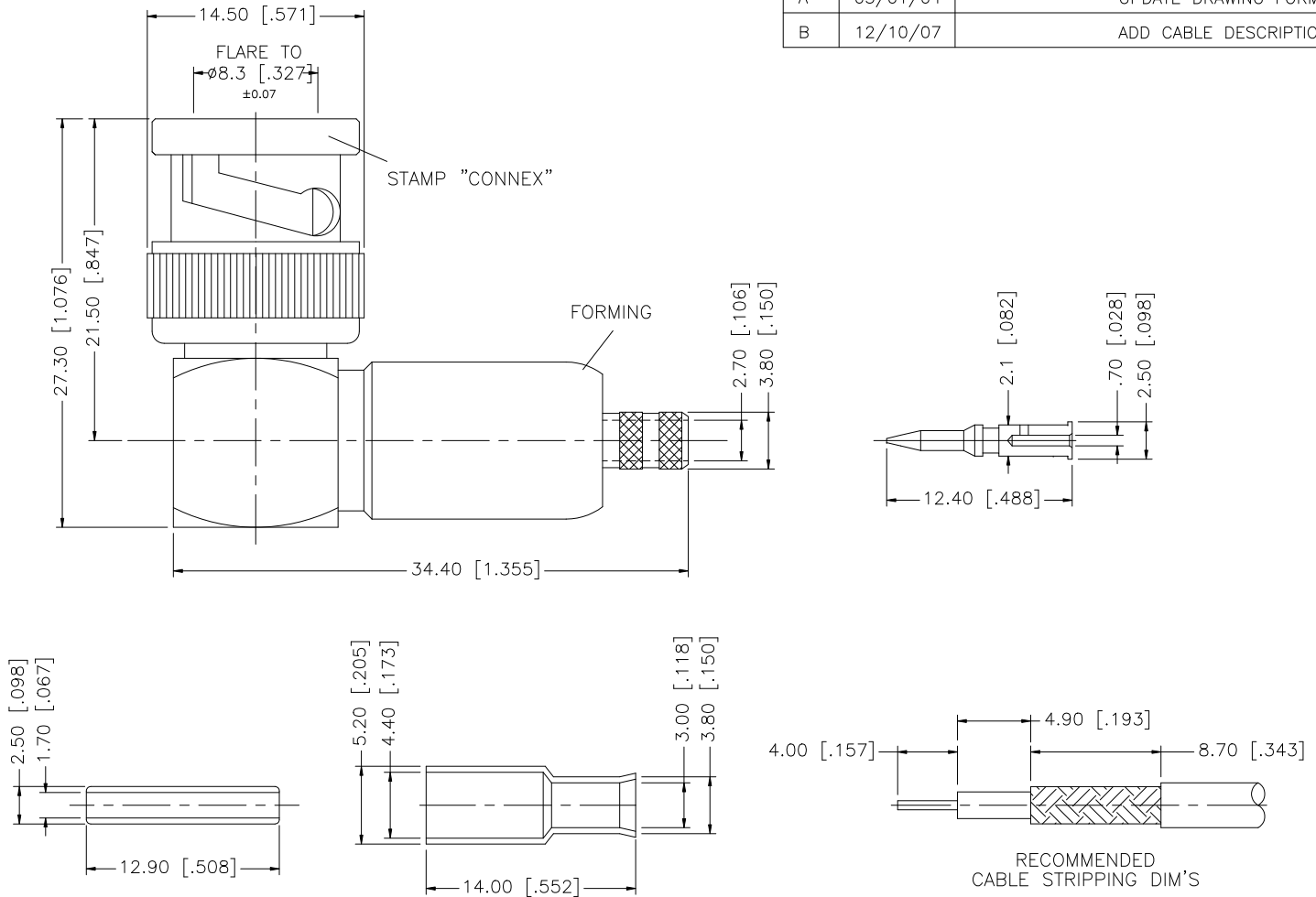


| REV. | DATE     | DESCRIPTION           |
|------|----------|-----------------------|
| NC   | 07/15/02 | INITIAL RELEASE       |
| A    | 05/01/04 | UPDATE DRAWING FORMAT |
| B    | 12/10/07 | ADD CABLE DESCRIPTION |



|   |             |              |         |     |
|---|-------------|--------------|---------|-----|
| 8 |             |              |         |     |
| 7 | FERRULE     | BRASS        | NICKEL  | 1   |
| 6 | SLEEVE      | DELTRIN      | NATURAL | 1   |
| 5 | CONTACT PIN | BRASS        | GOLD    | 1   |
| 4 | CONTACT PIN | BRASS        | GOLD    | 1   |
| 3 | CONTACT PIN | PHOS. BRONZE | GOLD    | 1   |
| 2 | INSULATOR   | DELTRIN      | NATURAL | 1   |
| 1 | BODY        | BRASS        | NICKEL  | 1   |
|   | DESCRIPTION | MATERIAL     | FINISH  | QTY |

UNLESS OTHERWISE SPECIFIED DIMENSIONS ARE IN MILLIMETERS. DIMENSIONS IN [ ] ARE IN INCHES AND FOR CUSTOMER REFERENCE ONLY.

UNLESS OTHERWISE SPECIFIED TOLERANCES FOR MILLIMETERS ARE:  
0.5 - 8mm ± 0.20mm  
8 - 30mm ± 0.40mm  
30 - 120mm ± 0.50mm

UNLESS OTHERWISE SPECIFIED TOLERANCES FOR INCHES ARE:  
.020 - .315 = ± 0.007"  
.315 - 1.180 = ± 0.015"  
1.180 - 4.724 = ± 0.020"

DO NOT SCALE DRAWING

| APPROVALS                  | DATE     |
|----------------------------|----------|
| DRAWN G.R.S.               | 12/10/07 |
| CHECKED                    |          |
| ISSUED                     |          |
| SHEET 1 OF 1               |          |
| CAD FILE C:/112/112198.DWG |          |

**Amphenol Connex**

PART DESCRIPTION  
**BNC R/A CRIMP PLUG  
(FOR RG-174/316-U CABLE)**

PART NO.  
**112198**

|          |            |      |   |      |   |       |    |
|----------|------------|------|---|------|---|-------|----|
| DWG. NO. | 112198.DWG | REV. | B | SIZE | A | SCALE | NA |
|----------|------------|------|---|------|---|-------|----|