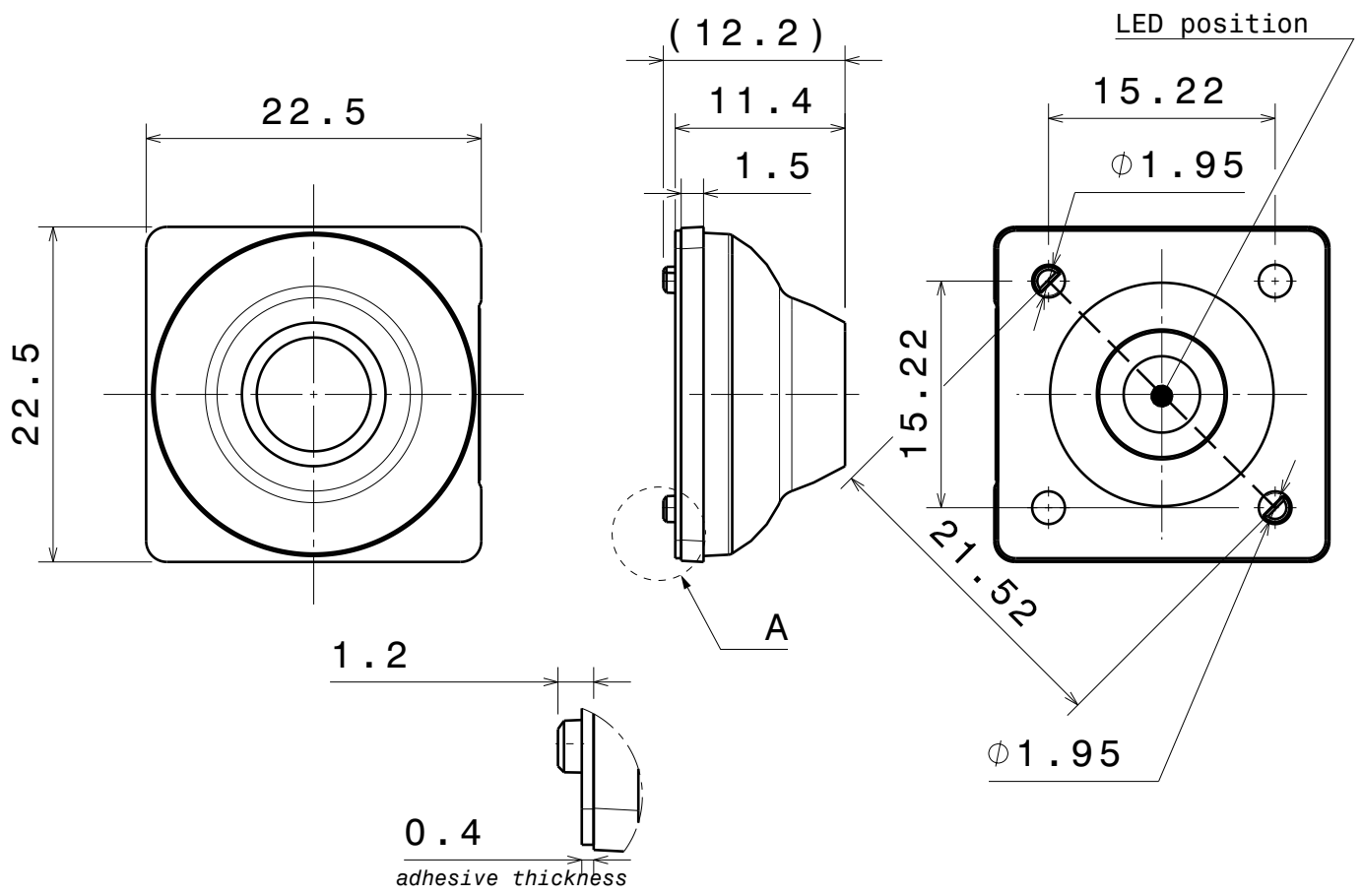


D C B A

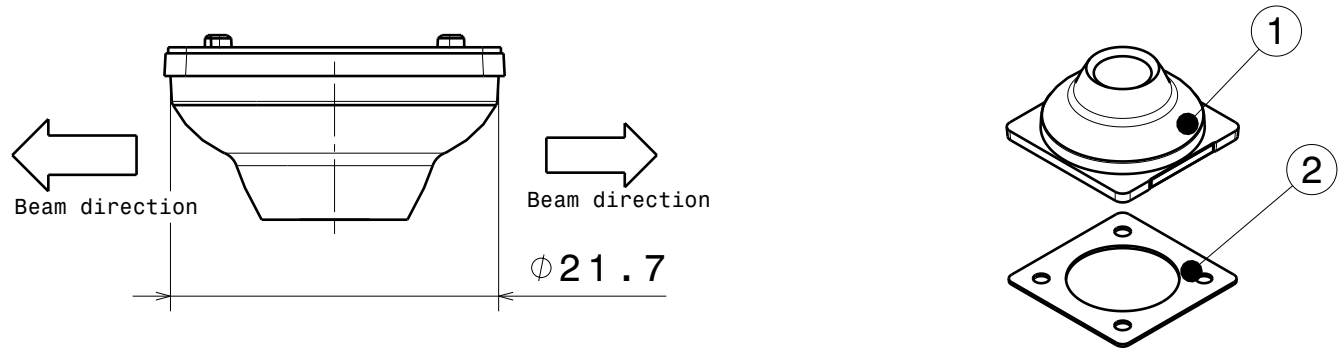
4



3

Detail A
(4:1)

2



INDEX	PART NO	DESCRIPTION	MATERIAL	COLOUR
1	C15901	VERONICA-SQ-SE_Mech_Model		
2	C16105	VERONICA-TAPE		

Tolerances if not otherwise shown
According to DIN ISO 2768-1
Linear measures:
Up to 30mm class M, otherwise class C.
According to DIN ISO 2768-2
Form and position: class L

LEDiL LediL Oy
Salorankatu 10
FIN 24240 SALO
Finland

FIRST ANGLE PROJECTION:

DRAWING TITLE
CA15902_STRADA-SQ-SE_Datasheet

This drawing is the property of LEDiL Oy. It may not be reproduced, copied or communicated without a written agreement with LEDiL Oy.

SIZE	PART NUMBER
A4	CA15902

SCALE	2:1	WEIGHT	2,75g	SHEET	1/1
-------	-----	--------	-------	-------	-----

1

1

D A