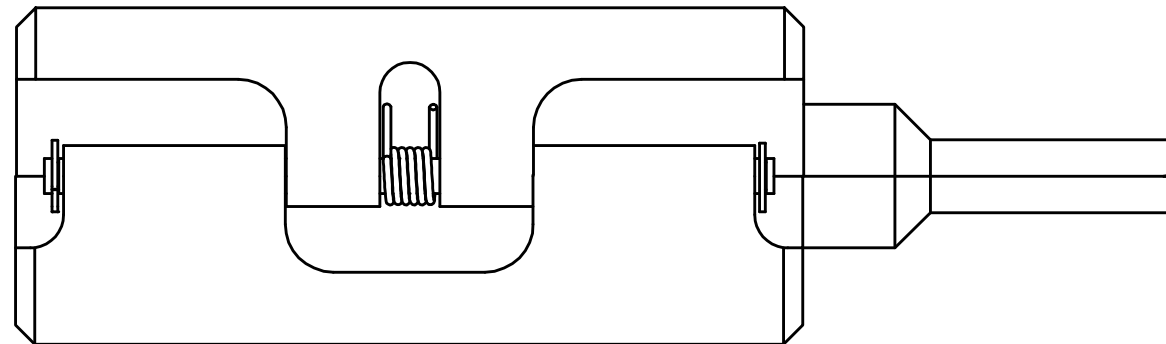
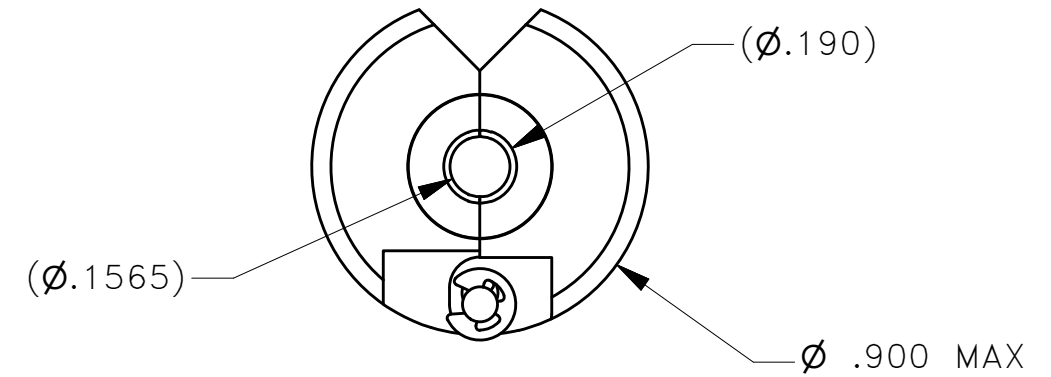
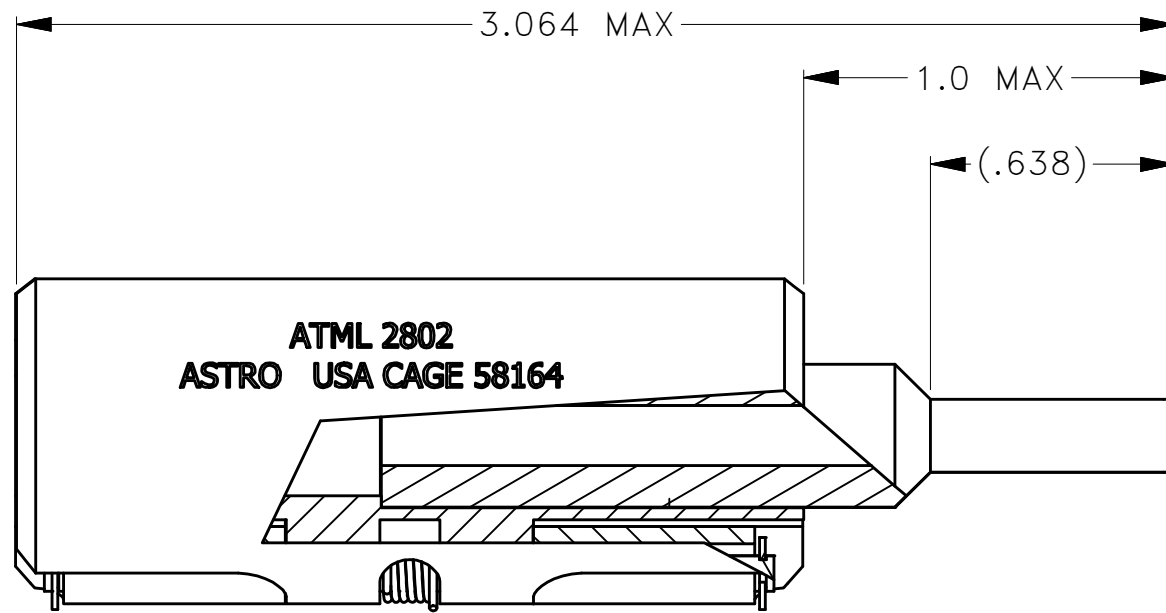



REV SYM		ECO NUMBER	DESCRIPTION	BY DATE	APP'D DATE
A		---	NEW RELEASE	DYO 06-04-15	ADI.G 06-04-15



**UNCONTROLLED DOCUMENT  
WILL NOT BE UPDATED**

- NOTES:  
 1. THIS IS AN ICAD DRAWING. DO NOT CHANGE MANUALLY.  
 2. REF: FUNCTIONAL EQUIVALENT TO M81969/28-02 (NOT QUALIFIED).

THESE DRAWINGS, SPECIFICATIONS OR OTHER DATA ARE THE PROPERTY OF ASTRO TOOL CORP. AND MUST BE RETURNED UPON REQUEST. THEY CONTAIN INFORMATION OWNED AND/OR DEVELOPED BY ASTRO AT ITS OWN PRIVATE EXPENSE AND MAY NOT BE USED, DUPLICATED OR DISCLOSED TO OTHERS, IN WHOLE OR IN PART FOR DESIGN, MANUFACTURE, OR PROCUREMENT WITHOUT THE WRITTEN PERMISSION OF ASTRO TOOL CORP. EACH AND EVERY TIME.  CREATED FROM AN INVENTOR MODEL. CHANGES MUST BE REFLECTED IN THE 3D PART  DO NOT SCALE DRAWING	MATERIAL	N/A	ITEM	PART NO.	QTY.	DESCRIPTION/REMARKS
	HEAT TREAT	N/A	DRN.	DATE	 21615 S.W. THIALATIN VALLEY HWY. BEAVERTON OR 97003	
	FINISH	N/A	CHK'D.	DATE		
	TOLERANCE:		UNLESS OTHERWISE SPECIFIED FRACTIONS ± 1/32 ANGLES ± 1° DECIMAL INCHES:		TITLE	
.X ± .030 .XX ± .010 .XXX ± .005 .XXXX ± .0005 REMOVE BURRS AND BREAK SHARP EDGES .005-.015		APP'D.		DATE		ENVELOPE DRAWING: ATML 2802 REMOVAL TOOL
WHERE USED:		SIZE	SCALE	CAD P/N	SHEET	OF
B		N/A		ATML 2802-ENV	1	1
POSTING		P/N		ATML 2802-ENV	REV. A	