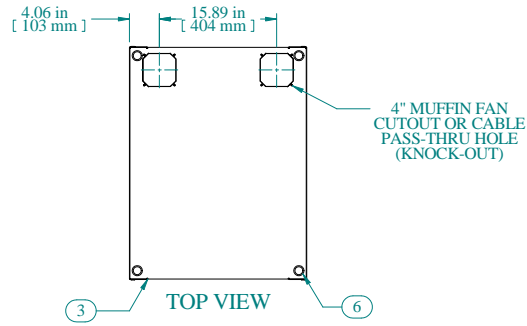
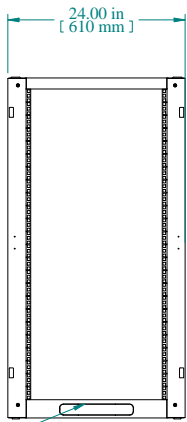
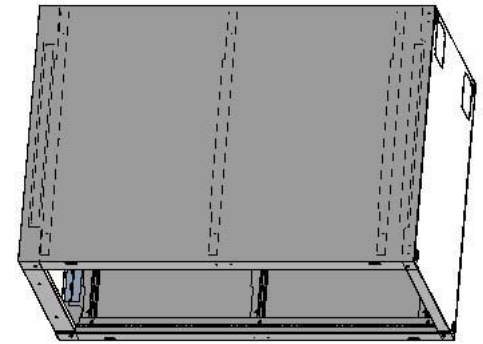


SECTION A-A

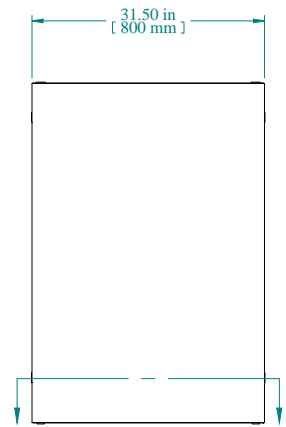


TOP VIEW

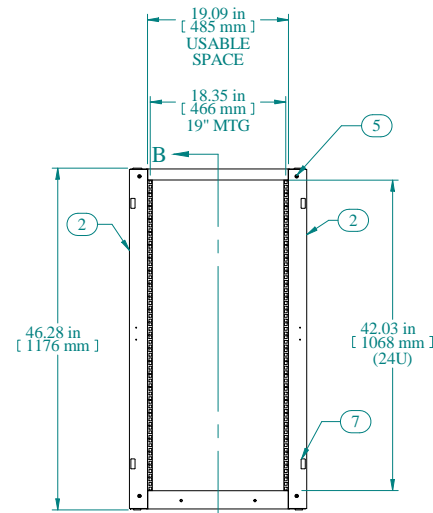


REAR VIEW

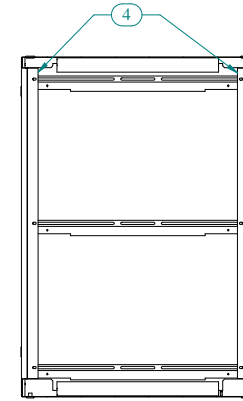
1.50 X 10.00
GLAND OPENING
(KNOCK-OUT)



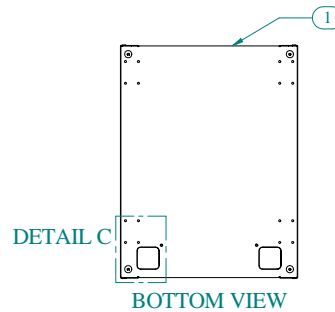
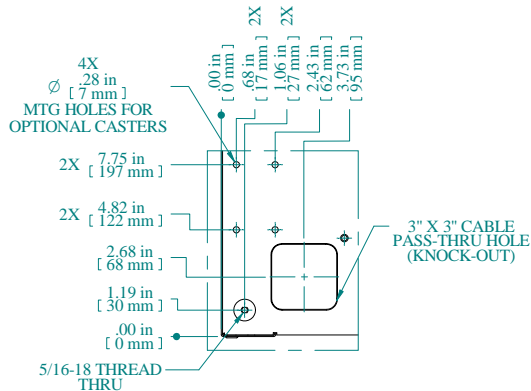
SIDE VIEW



FRONT VIEW



SECTION B-B



DETAIL C

BOTTOM VIEW

Item Number	Title	Quantity
1	RCSC - BOTTOM PANEL	1
2	RCSC - SIDE FRAME	2
3	RCSC - TOP PANEL	1
4	RCSC - 24U PUNCHED PANEL RAIL	4
5	SCREW M6 X 1.0 X 12MM	8
6	PLUG - 1.00" DIA. HOLE	4
7	PLUG - 0.38" X 1.13" CUTOUT	8
PART NUMBERS		
RCSC1904231BK1	PAINTED BLACK TEXTURED	

NOTES

Shipped knockdown for handling ease & protection
See Hammond Website for Additional Accessories

Data subject to change without notice. Isometric drawing not to scale.



**HAMMOND
MANUFACTURING™**

www.hammondmfg.com

PART NO. RCSC1904231